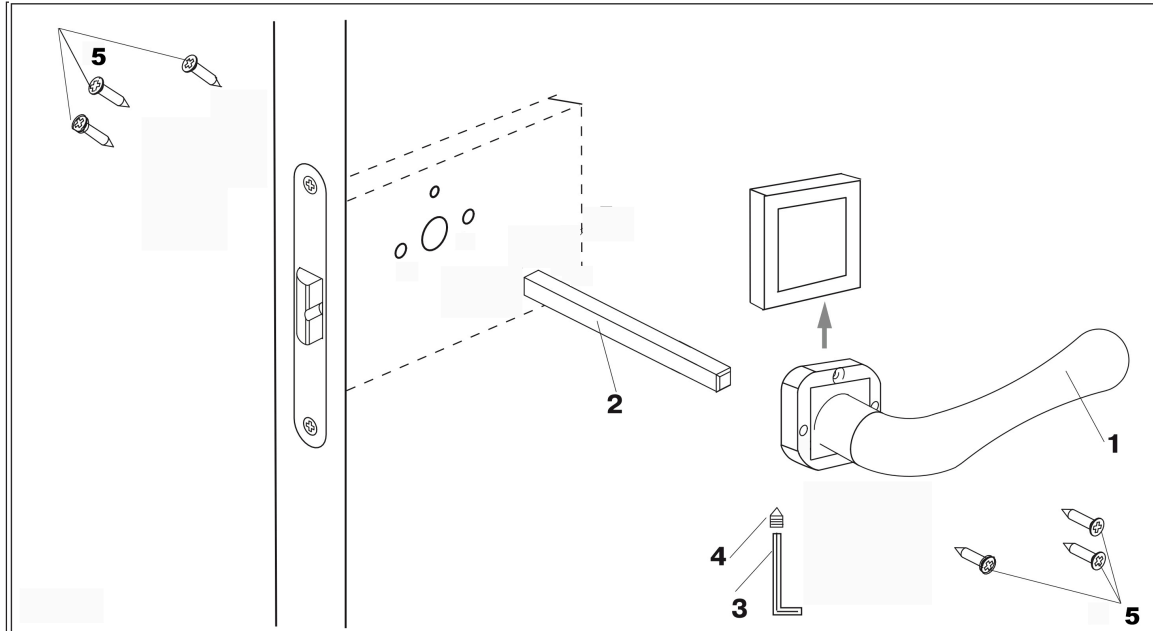


# DOOR HANDEL "QUADRA"

## Installation Instruction

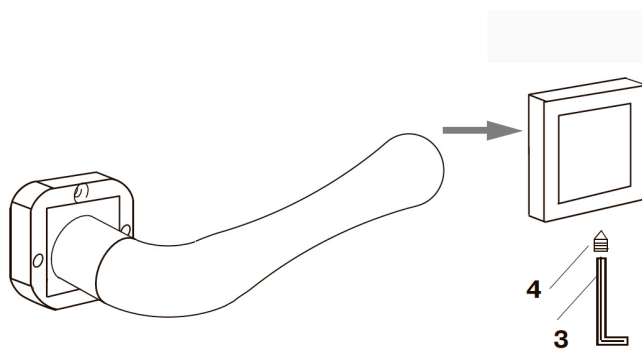


**Package include:**

1. Door handles	2 pcs.	5. Self-tapping screw ST1/8"*5/8"	6 pcs.
2. Square	1 pcs.		
3. Hex key	2 pcs.		
4. Fixing screw	4 pcs		

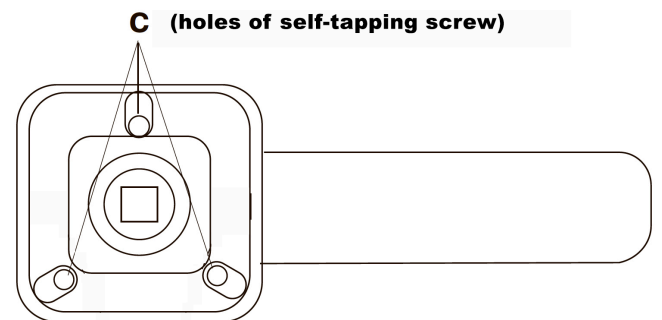
### 1. Disassemble the handle

Loosen the cover fixing screw (4) by 2-3 turns with a hex wrench (3) and remove the cover from the handle.

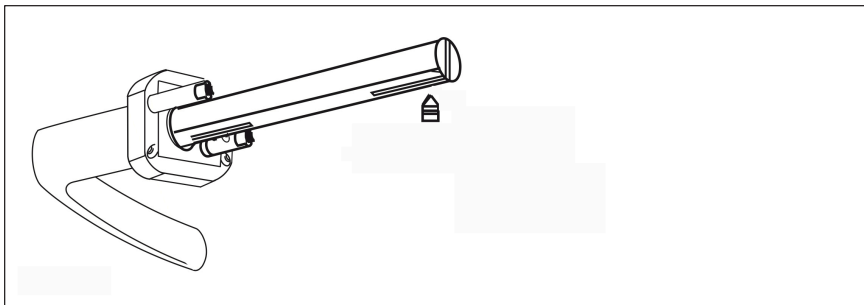


### 2. Way of attaching handles on the door

Self-tapping screws for solid wood doors



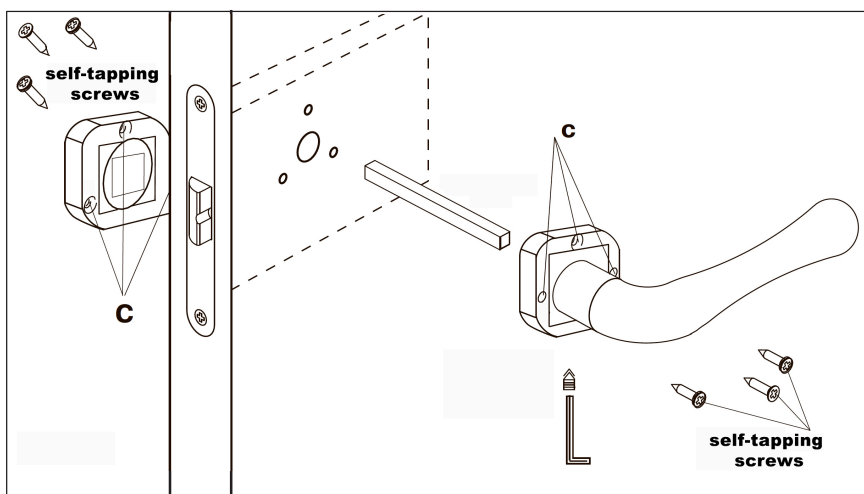
### 3. Install the square in the latch / lock in the door leaf



The square should go through the hole in the latch or lock and be positioned with the retention screw slot at the bottom.

Place the handles on the square. Mark the location of the hardware holes and remove the handles.

### 4. Installing handles on self-tapping screws



Drill pilot holes for self-tapping screws with a diameter of 1/16" (no more than 5/8" deep).

Install the square into the lock / latch in the door leaf, the groove for the fixing screw should be at the bottom.

Make sure the length of the protruding part of the square is 1" - 1 3/8" on each side of the door.

Place the handle on the square. Using the supplied hex wrench, fix the handle to the square with the locking screw on the underside of the handle.

Fix the handle to the door using the supplied screws.

Install the second handle on the square, fix the handle on the door using the self-tapping screws from the kit.

Using the supplied hex wrench, fix the handle to the square with the locking screw on the underside of the handle.

### 5. Replace the decorative trims on the handle and secure with the locking screw.

