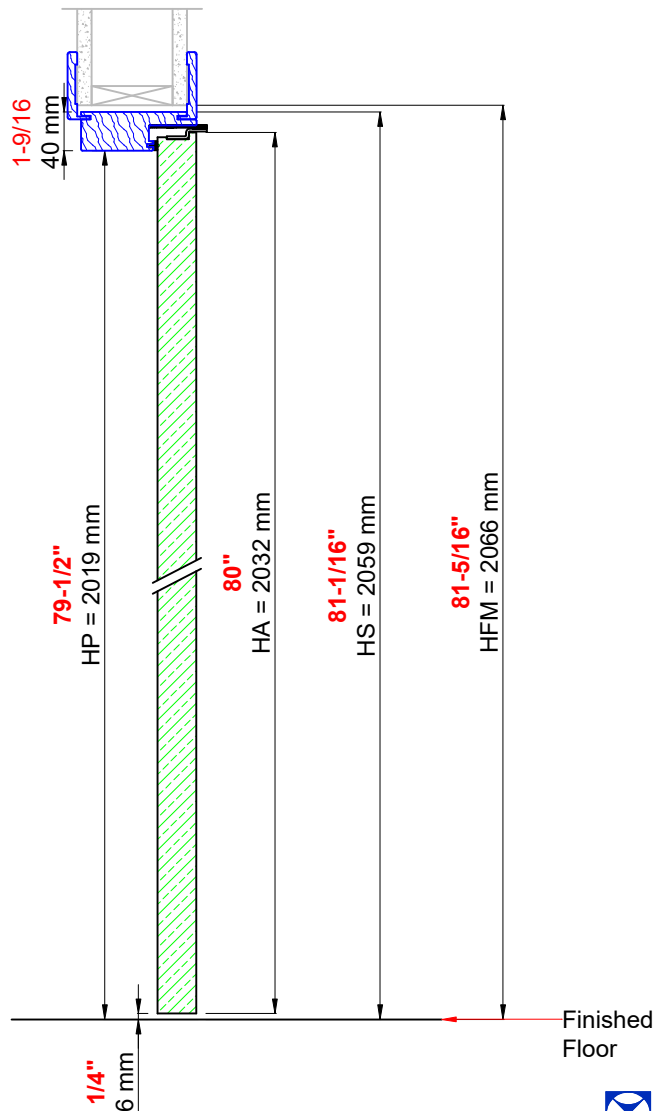
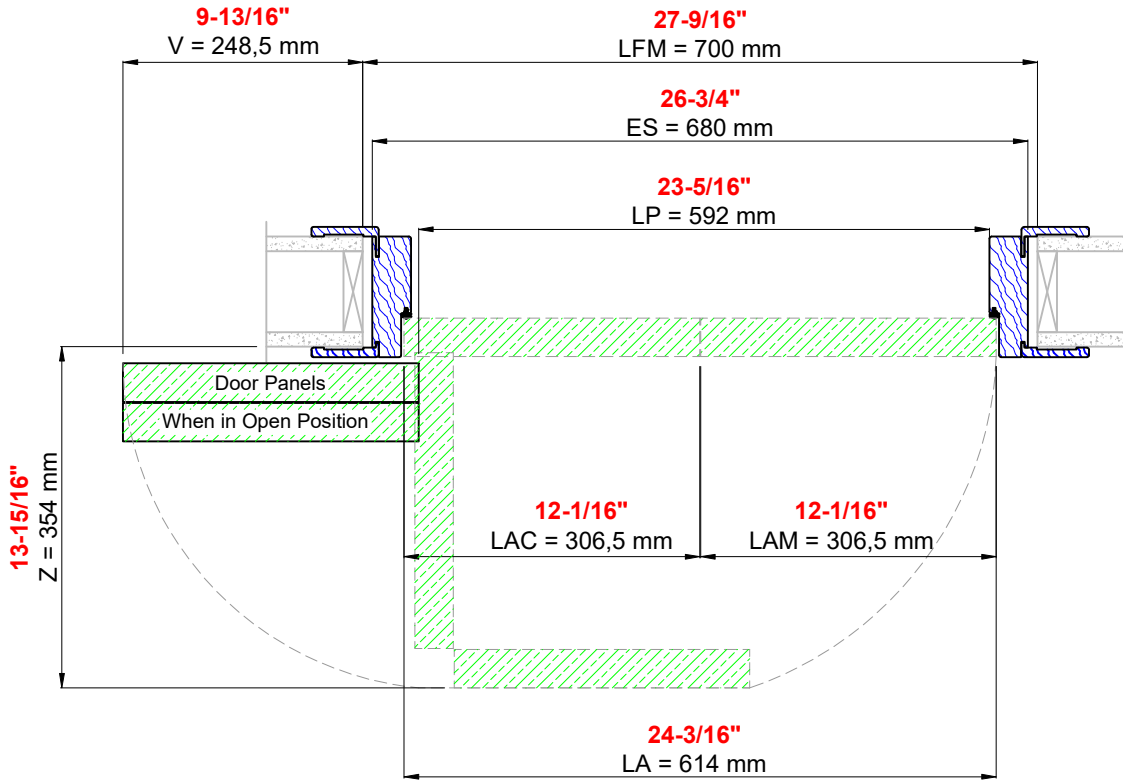


# F60 - SINGLE 24"



- LFM = R.O. Width
- ES = Net Frame
- LP = Net Clearance Width
- LAC = Lead Door Panel Width
- LAM = 2nd Door Panel Width
- LA = Combined Door Panel Width
- Z = Panel Projection Radius
- V = Wall Coverage when open
- HFM = R.O. Height
- HS = Jamb Height
- HP = Net Clearance Height
- HA = Panel Height