

INSTEAD OF FOLLOWING
A MODEL, WE CREATED ONE.



Wave is born, the minimal
handle that combines grip
and closure.

WAVE
reshape the handle

 **MILCASA**
S T O R E

AGB - Alban Giacomo Spa

is an Italian company specialized in locking systems for doors and windows.

Since 1947 AGB has never stopped believing and investing in the innovation with the belief that the best of technology gives life to an excellent product.

Thanks to its experience and its know-how, it has designed **Wave**, a design product which is unique in the market.

MADE IN ITALY



WAVE
reshape the handle





One day the wind said to the sea:

“I want to create a new wave from your water.
I’ll make it as beautiful as you’ve never seen,
I will give it bright colours, I will draw from
its water the best qualities.
I will chase it all over your expanse and there
I will accompany it to the golden beach”.



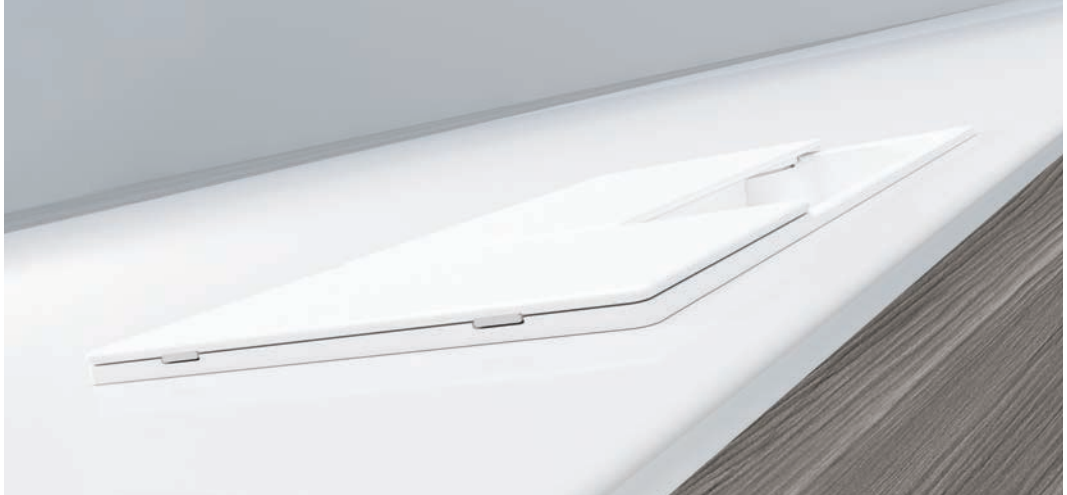




Wave is coherence with the object in which is integrated:
square within a square, plane on a plane.



MINIMAL DESIGN: LINEAR, COPLANAR, ESSENTIAL



Wave revolutionizes the shape of the door handle.

Linear, coplanar, essential:

Wave enhances the design of the minimal door and widens the horizons of the interior designer. Design is no longer just a function as the standard lever is.

Wave preserves all functions of a traditional handle: opening and closing the door, ergonomically.

Even when the door is open, **Wave** has no protrusion, it is perfectly integrated with the door: the handle is no longer an obstacle for those who pass by.



DESIGN INSPIRED BY THE SEA: WAVE MOVEMENT



Wave reveals the new movement designed to open the door, the movement of the water that breaks on the beach and recedes from the shore.

The **Wave** handle offers a secure and comfortable grip.



In that precise point where the sky and the sea meet and merge, the huge desire to look beyond the imaginable begins.

That's where **Wave** is born, the only handle that combines grip and closure.



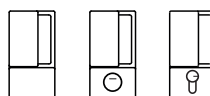




Wave is not just a handle but a complete locking system.



The handle design always remains coherent with the available possibilities of closing: without key, for bathroom with coplanar knob and with European profile cylinder.



WAVE: THE HANDLE THAT COMBINES GRIP AND CLOSURE



Wave allows the end user to change in any time the locking device in an easy and fast way.



WAVE SOLUTION FOR SWINGING DOORS

A unique milling for all closing versions allows the door producer to realise a single standardised panel for all applications.

Wave is quick to be assembled and, even when the installation has been already done, it allows to change the closing solution in a few seconds.

The upper part is dedicated to the movement and hosts the mobile grip.



A light pressure on the notch reveals the handle which allows to lock and unlock the door.

In the lower part, Wave hosts the closure. The versions available are: bathroom, without key or European profile cylinder.

The closing cover hooks up with a snap system.





Wave lock with magnetic movement for rebated doors.



The sea is a collection of waves:
the same sound, the same shape.

Wave is the first handle that
offers the same shape for all
the door types.

Wave is the first handle that creates a continuity of shape both for swinging and sliding doors, which have been always very different one from the other: Wave allows the transversality of the handle on all doors of a house!











WAVE SOLUTION FOR SLIDING DOORS

A unique milling for all the types allows the end user to change the closing version in any moment and the door producer can realise a unique standardised panel for all the applications.

The upper part hosts the grip. Unlike Wave for Polaris, the handle is fixed and allows to pull the door easily.



A light pressure on the notch reveals the handle which allows to lock and unlock the door.

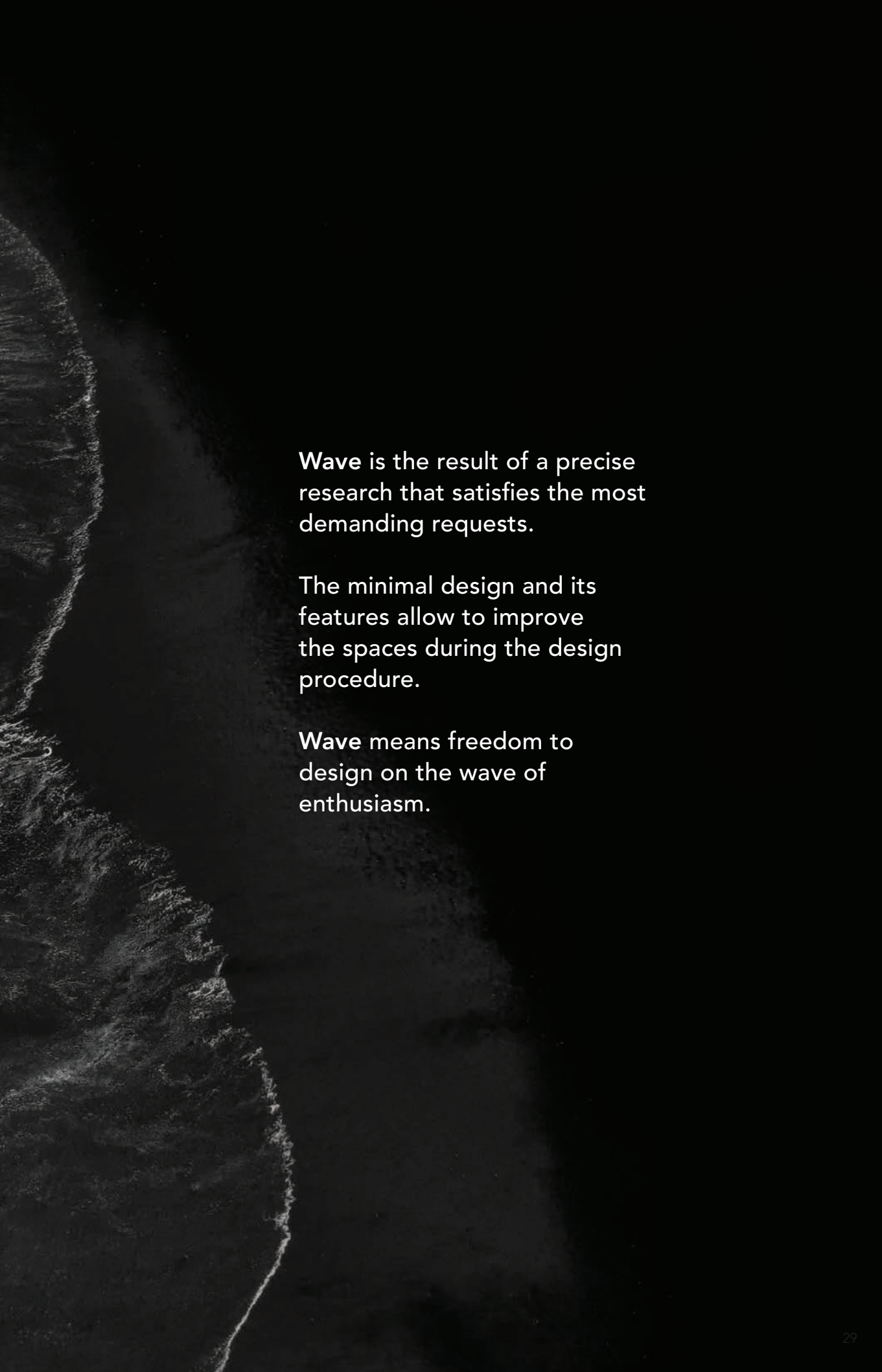
In the lower part, Wave hosts the closure. The versions available are: bathroom, without key or European profile cylinder.





Scivola Tre Class with
concealed pull out lever.





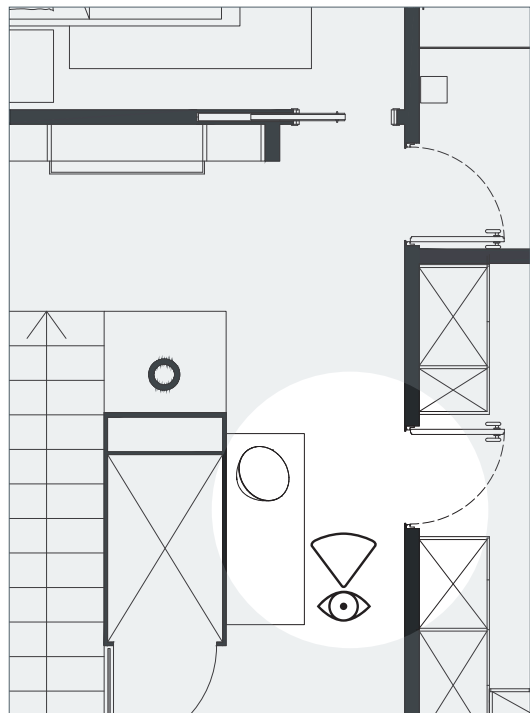
Wave is the result of a precise research that satisfies the most demanding requests.

The minimal design and its features allow to improve the spaces during the design procedure.

Wave means freedom to design on the wave of enthusiasm.

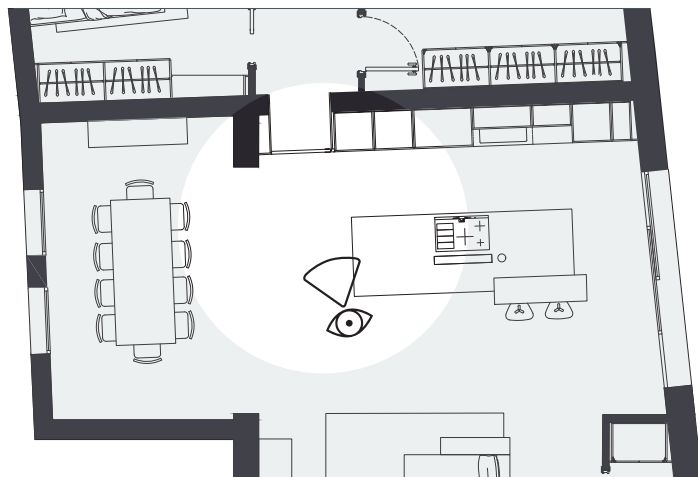


NO PROTRUSION:
THE WALL, THE SASH
AND THE HANDLE ARE
IN THE SAME LEVEL



In hallways where there are many doors, the design impact of the standard protruding handle is even more evident.

Wave is minimal and fits perfectly with concealed frameless doors.

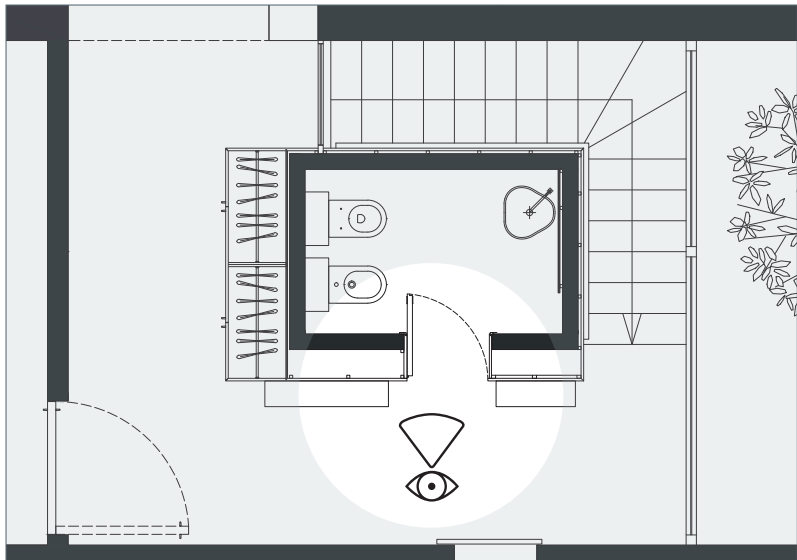




WAVE CREATES CONTINUITY BETWEEN DOOR AND FURNITURE

Combining the door design with a wardrobe or wooden walls has never been so simple!

Wave allows to match the door style with the one of furniture, always preserving maximum ergonomics and closing functionalities of the door.



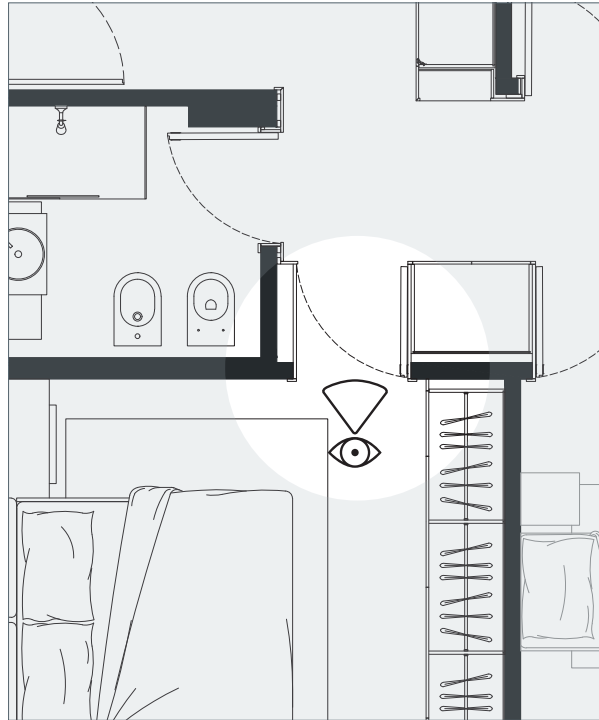


WAVE OPENS THE DOOR TO NEW DESIGN SOLUTIONS

The interior door is becoming more and more a furniture component rather than just a partition.

With **Wave**, the interior designer can create new design solutions, integrating the door perfectly with the interior design.





WHEN ROOM IS MISSING, WAVE IS THE SOLUTION

Wave is the perfect solution in places where the standard handle could touch the wall or where there is an upholstery in wooden walls, or where the space for movements is reduced.

Wave can be easily used even in the space-saving doors where a concealed handle is required.

Each wave of the sea has a different light,
a reflection of the sky.

Thanks to the reflections designed for
Wave, the combinations are simple and
enhance the design of rooms.



REFLECTIONS OF WAVE IN FOUR FINISHES

93. Black

FM. White

01. Anodised silver

32. Satin chromium plated



PASSAGE



PRIVACY



CYLINDER



ACCESSORIES FOR SWINGING DOORS

POLARIS WAVE



- Lock with magnetic latch
- Bathroom and cylinder versions
- Backset 50-60

AVAILABLE FINISHES



93

FM

34

93. Black
 FM. White
 34. Matt chromium plated

WAVE



- Passage, privacy and cylinder



AVAILABLE FINISHES



93

FM

01

32

93. Black
 FM. White
 01. Anodised silver
 32. Satin chromium plated



ACCESSORIES FOR SLIDING DOORS

SCIVOLA TRE CLASS



- Lock with hook and concealed pull out lever
- Bathroom and cylinder versions
- Backset 50

AVAILABLE FINISHES



93

FM

34

93. Black
 FM. White
 34. Matt chromium plated

WAVE



- Passage, privacy and cylinder



AVAILABLE FINISHES



93

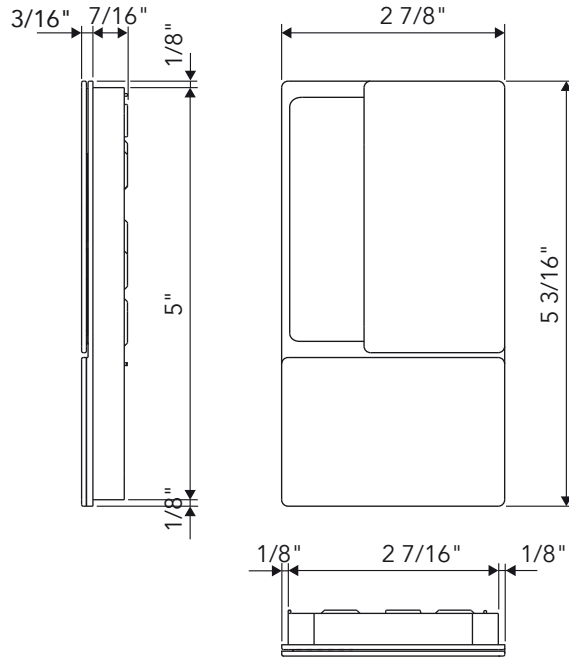
FM

01

32

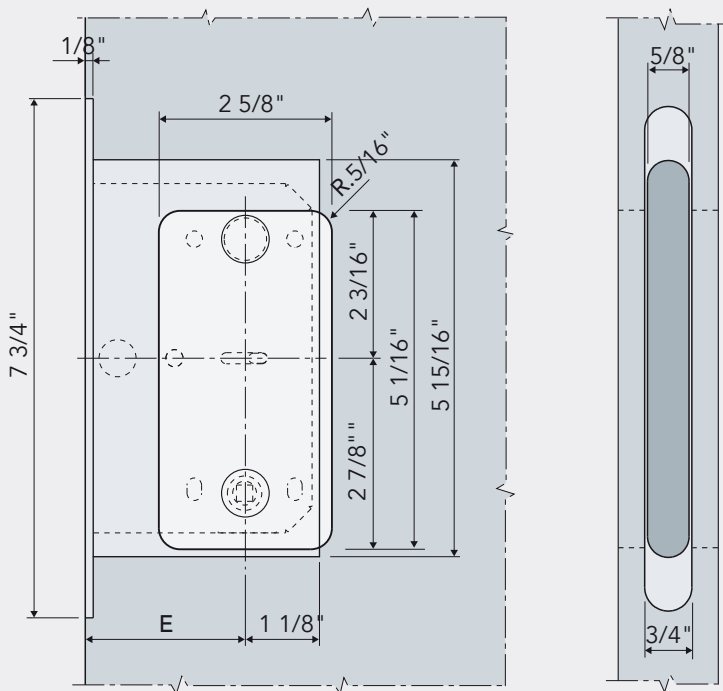
93. Black
 FM. White
 01. Anodised silver
 32. Satin chromium plated

TECHNICAL DETAILS



MILLING LAYOUT FOR SWINGING DOOR

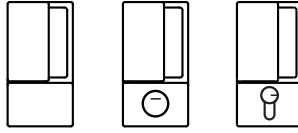
Wave application with lock for rebated doors



$E = 2''/2\ 3/8''$

TECHNICAL DETAILS

Wave dimensions are the same
for every version:

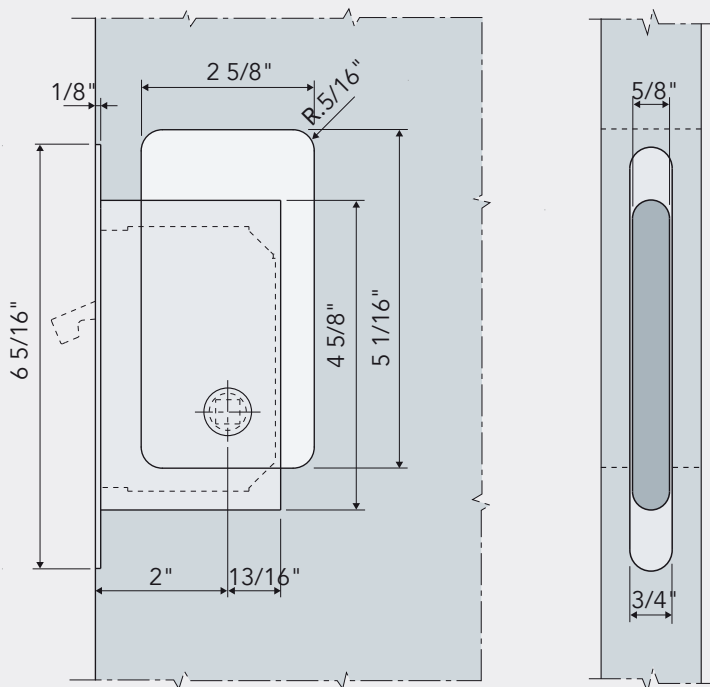


Wave dimensions are the same
for all the door types:



MILLING LAYOUT FOR SLIDING DOOR

Wave application with lock for sliding doors



WAVE

reshape the handle





Wave was made entirely in Italy.
The design, production, processing
and packaging are carried out
exclusively on the Italian territory,
into the AGB plants.

100% MADE IN ITALY

The text "100% MADE IN ITALY" is centered. Below the text, there are two horizontal bars: a green bar on the left and a red bar on the right, representing the colors of the Italian flag.



Open, Close, Live

Milcasa Store
6729 Finamore Cir.
Lake Worth, FL 33467
support@milcasastore.com
(888) MILCASA (645-2272)

MADE IN ITALY

A small graphic of the Italian flag, consisting of three horizontal stripes of green, white, and red.