



MILCASA
S T O R E

Magic² Frame

The original invisible sliding doors system
Il sistema invisibile originale per porte scorrevoli



Tracks / Binari

ALUMINUM FINISHES CODES / CODICI FINITURE ALLUMINIO



8 ... 0.0

01 • (Anodized Silver / Argento - A)	13 • (Brushed Anodized Dark Brown / E3 Spazzolato - E3S)	17 • (Brushed Anodized Nickel / Nichel Spazzolato - NKS)
02 • (Brushed Anodized Silver / Argento Spazzolato - AS)	14 • (Anodized Black / Nero - N)	25 • (Brushed Anodized Graphite / Grafite Spazzolato - GRFS)
12 • (Anodized Dark Brown / E3 - E3)	15 • (Brushed Anodized Black / Nero Spazzolato - NS)	26 • (Anodized Graphite / Grafite - GRF)

01 - 02 STANDARD / 12 - 13 - 14 - 15 - 17 - 25 - 26 SPECIAL

Magic2

COMPLETE BOX KIT / KIT COMPLETO IN SCATOLA



K Complete kit / Kit completo

0031		Magic2 - Wood Magic2 - Legno
1		43 5/16"
2		70 7/8"
01 Standard Finish / Finitura Standard		

Magic2 Frame

COMPLETE BOX KIT / KIT COMPLETO IN SCATOLA



K Complete kit / Kit completo

0461		1 59 1/16" -176 lbs
0462		43 5/16" " - 176 lbs
1		N.2 Soft damper stoppers N.2 Fermi ammortizzati
1		86 5/8"
2		102 3/8"
3		118 1/8"
02 Brushed Anodized Silver / Argento Spazzolato		
13 Brushed Anodized Dark Brown / E3 Spazzolato		
15 Brushed Anodized Black / Nero Spazzolato		
17 Brushed Anodized Nickel / Nichel Spazzolato		
25 Brushed Anodized Graphite / Grafite Spazzolato		

Magic2 Vetro

COMPLETE BOX KIT / KIT COMPLETO IN SCATOLA



K Complete kit / Kit completo

0041		43 5/16" -176 lbs
0042		70 7/8" - 176 lbs
1		Glass thk. / Vetri sp. 8 mm (5/16")
2		Glass thk. / Vetri sp. 10 mm (3/8")
3		Glass thk. / Vetri sp. 12 mm (1/2")
02 Brushed Anodized Silver / Argento Spazzolato		



Magic2 Mix

COMPLETE BOX KIT / KIT COMPLETO IN SCATOLA

K	Complete kit / Kit completo	
0441		Magic2 MIX UP
0442		Magic2 MIX DOWN
0443		Magic2 MIX UP
0444		Magic2 MIX DOWN
1		43 5/16" → ← 1 1/2"-1 9/16"
2		70 7/8" → ← 1 1/2"-1 9/16"
3		43 5/16" → ← 1 5/8"-1 3/4"
4		70 7/8" → ← 1 5/8"-1 3/4"
02	Brushed Anodized Silver / Argento Spazzolato	
15	Brushed Anodized Black / Nero Spazzolato	

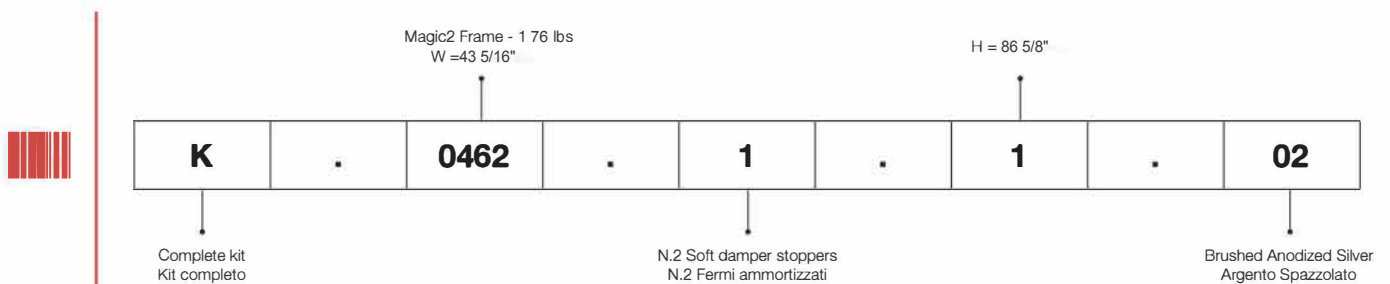


Magic2 Uni

COMPLETE BOX KIT / KIT COMPLETO IN SCATOLA

K	Complete kit / Kit completo	
0451		1 9/16"-66 lbs
0452		1 3/4"-66 lbs
0453		1 9/16"-176 lbs
0454		1 3/4"-176 lbs
1		43 5/16"
2		70 7/8"
02	Brushed Anodized Silver / Argento Spazzolato	
15	Brushed Anodized Black / Nero Spazzolato	

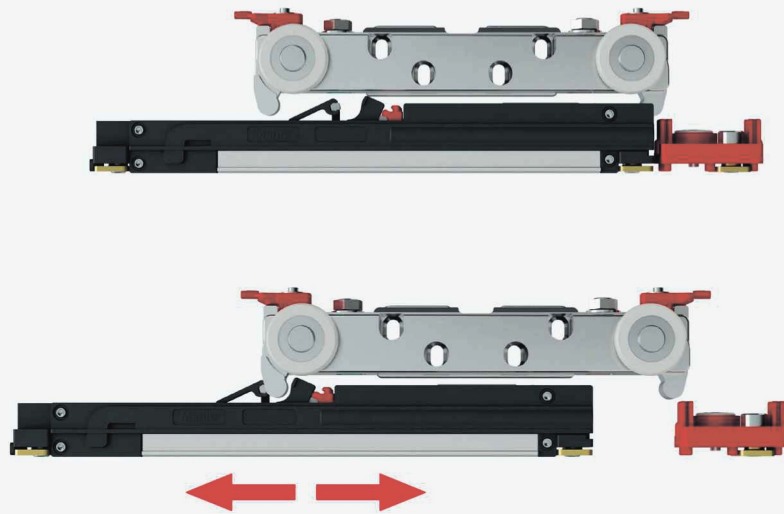
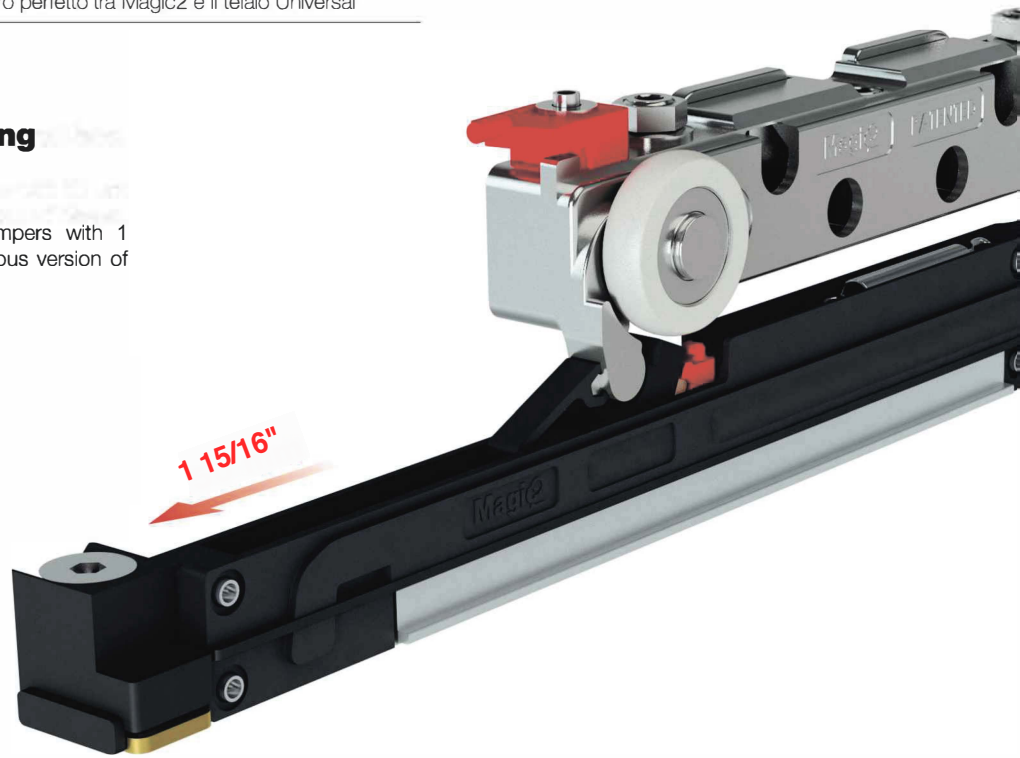
EXAMPLE / ESEMPIO



More than 1 15/16" of damping motion

Magic² system integrates new **PATENTED** dampers with 1 15/16" of braking motion, 13/16" longer than previous version of Magic, while keeping the same door dimensions.

PATENTED

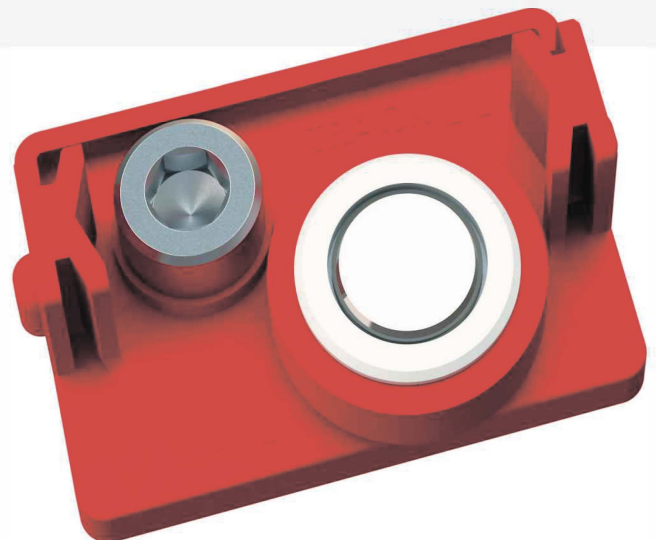


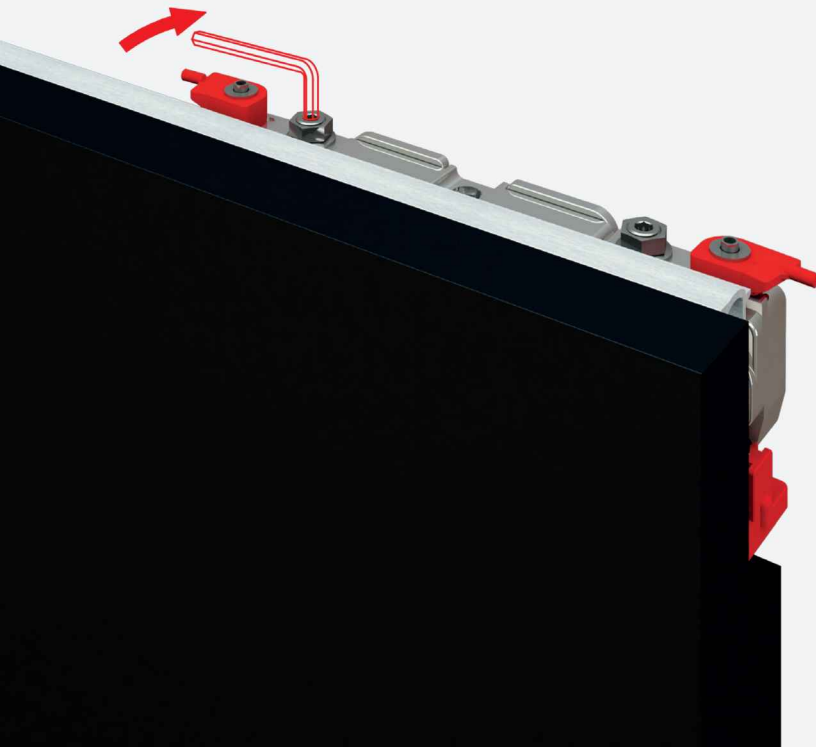
New dampers with adjustable positioning

New **Magic²** adjustable dampers were designed to be independent from wall-spacer wheels. New dampers are suitable to be moved into the track to allow door positioning adjustment.

New position of wall-spacer wheels

In **Magic²** system wall-spacer wheels are positioned on the door extremities. The wall-spacer wheels are so positioned in order to protect the door from wall contact, when wall surface are not plane.





New patented adjustment system

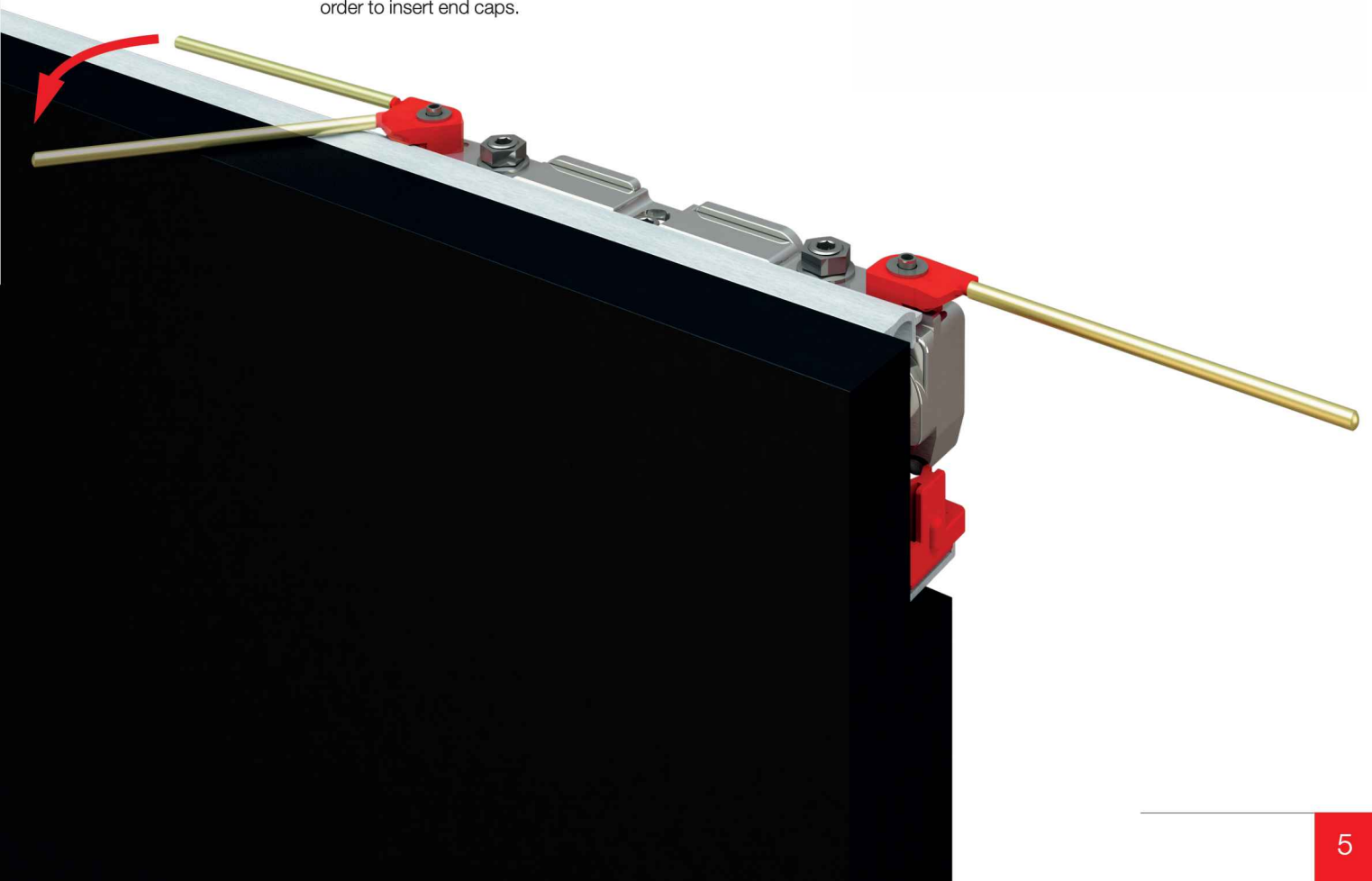
New **Magic² PATENTED** sliding trolley integrates following door adjustments:

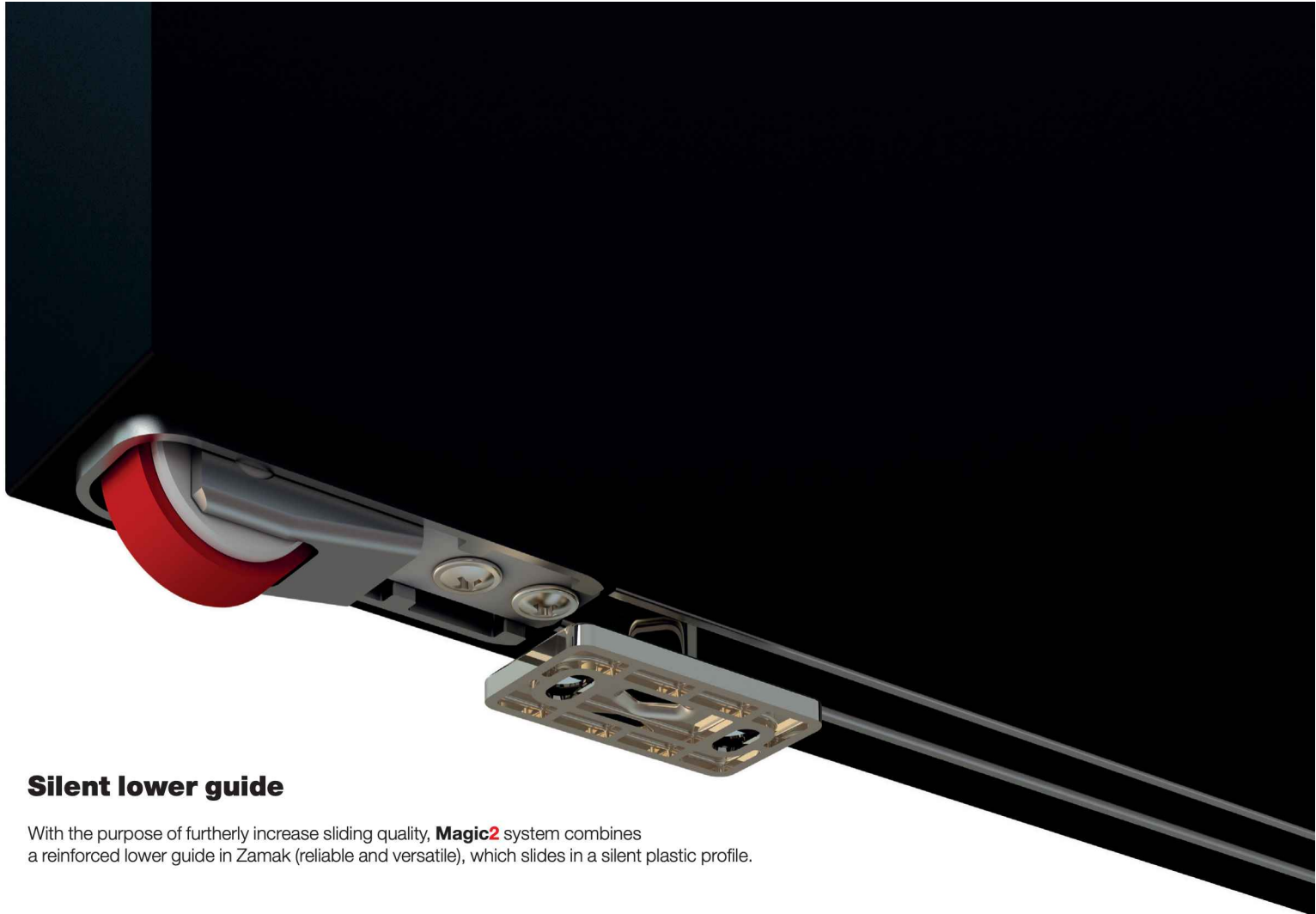
- Door height adjustment from floor
- Micrometric adjustment of door from wall
- Micrometric adjustment of door parallelism from wall

Door adjustments of wall distance and parallelism, are meant to compensate possible irregularities of wall. All adjustments are available in the top of sliding trolley, without removing the door.

Practical anti-jumping system

Magic² sliding trolley includes two new turning anti-jumping activation elements. Turning anti-jumping activation elements are equipped with two safety levers, easy to rotate with no tools required. Safety levers, clearly visible, will have to be removed once anti-jumping system is activated in order to insert end caps.





Silent lower guide

With the purpose of further increase sliding quality, **Magic2** system combines a reinforced lower guide in Zamak (reliable and versatile), which slides in a silent plastic profile.

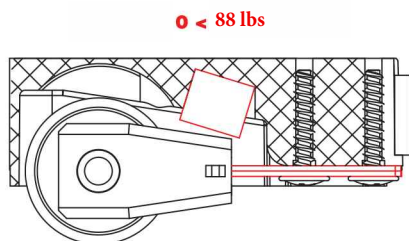
New patented bottom wheels designed for a better sliding

New **Magic2** bottom wheels are equipped with a **PATENTED** suspension spring system and were designed with a larger diameter, bigger bearing and steel pivots. Rubber surface have been enlarged as well, in order to reinforce wheels and improve sliding quality.

An additional important **PATENTED** innovation in lower sliding system is the introduction of two padded fixed springs which can grant damping function during door motion up to 88 lbs. Over 88 lbs of door weight and up to 176 lbs of maximum load capacity, new bottom wheels will be more flexible than previous version, with their Zamak surface to lean on a rubber internal cylinder, which act as a small shock absorber, granting more stability during sliding motion.

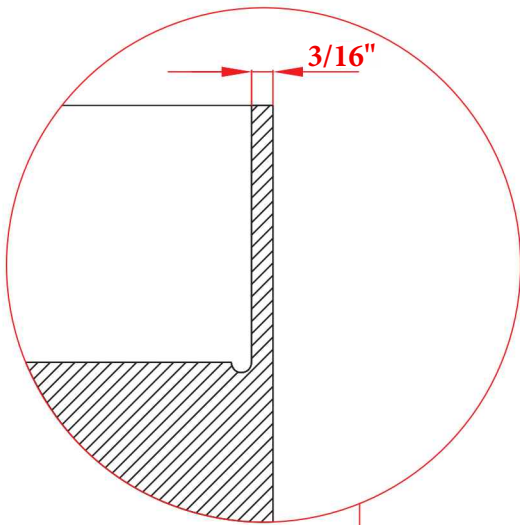
The **Magic2** wheels rubber have high performance:

- it does not leave any trace or sign on sliding surface like floors and walls
- it does not deform over time



Built-in sliding track with not-through milling

Upper sliding track can be installed “built-in” into a blind milling. Laterally, track’s end caps won’t be visible, improving even more the aesthetics of door. Door installation and adjustment are not going to be different than usual, because available on the top of the door.



Magic² Frame

PATENTED

Magic² Frame combines the innovative features of invisible sliding door system **Magic²** with the versatility and clean design of our new **Universal** frame, which allows clean lines, reduced encumbrances and maximal resistance.

Magic² Frame, designed for glasses in 3/16" - 1/4" thickness, it is therefore the perfect meeting point between functionality and design.

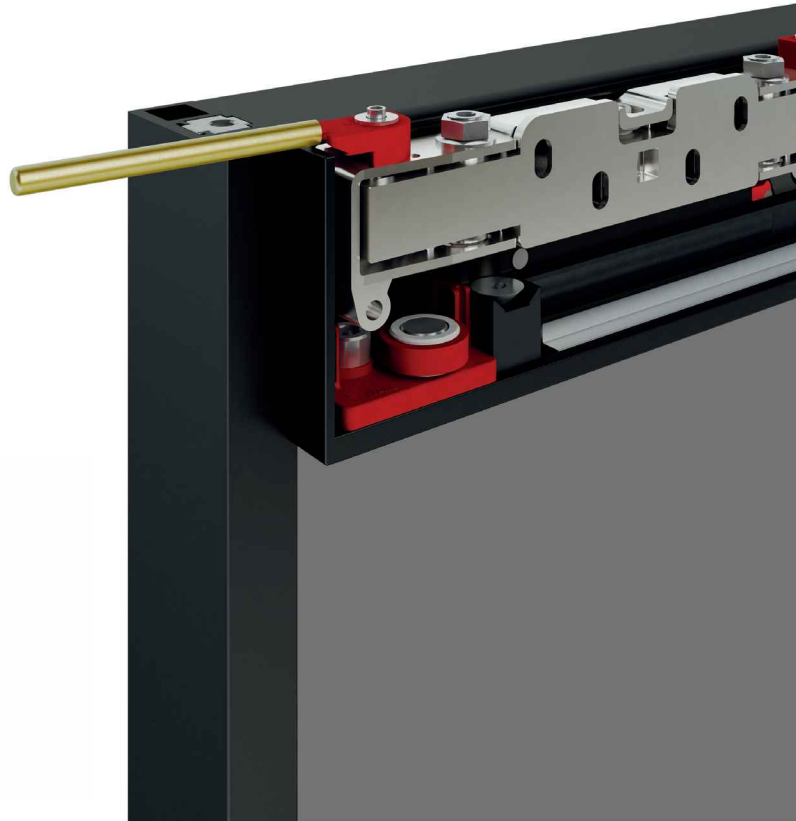




Minimal and linear design, with the highest resistance

The vertical upright with reduced dimensions will decrease visibility of extruded profiles. The lines will then result linear and clean. The gap, in the upper side of the door as in the bottom's, is reduced out just like standard swing doors and no additional drilling or milling processing are needed. The sliding track external cover will shape with the door a continuous surface: everything contributes to confer to new **Universal** frame a minimal, but pleasant design.

Tubular extruded profiles, metal joints, maximal grip, load-bearing connectors, bi-extruded gaskets: All components contribute to grant the glass weight to be sustained by vertical uprights and horizontal crosstracks, halving the pressure of it.



“The new UNIVERSAL frame is the perfect answer to the demand of an elegant, performant and high resistant product”

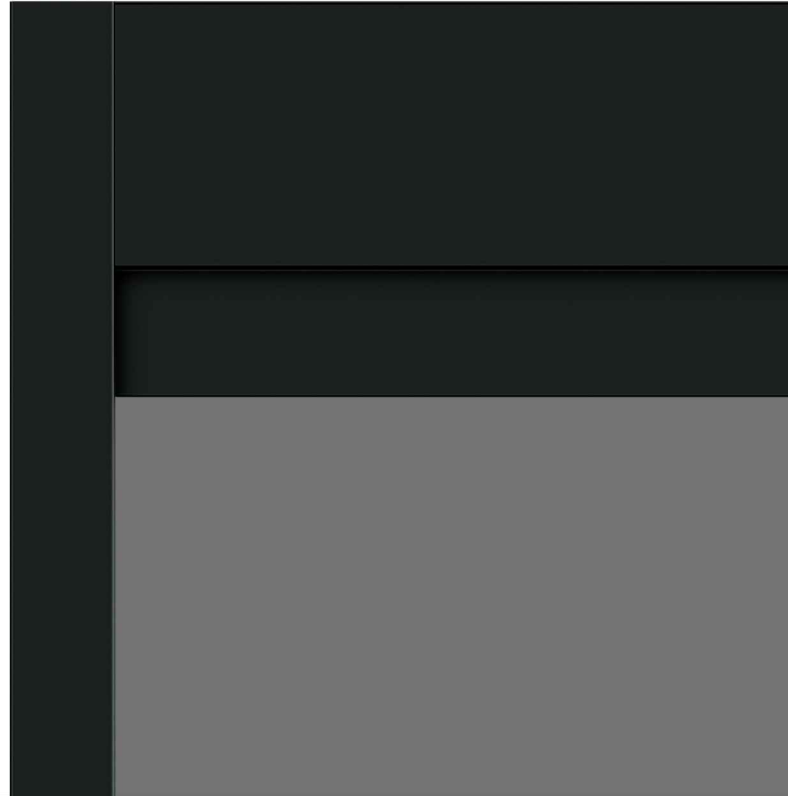
Versatility and resistance

The new **Universal** frame's extruded profiles are tubular in order to grant maximum resistance and are assembled by metal joint connectors, without any additional drilling precessing requirement: This allows to cut profile's bars to favourite size, with no additional drilling or milling precess, always granting the best grip.



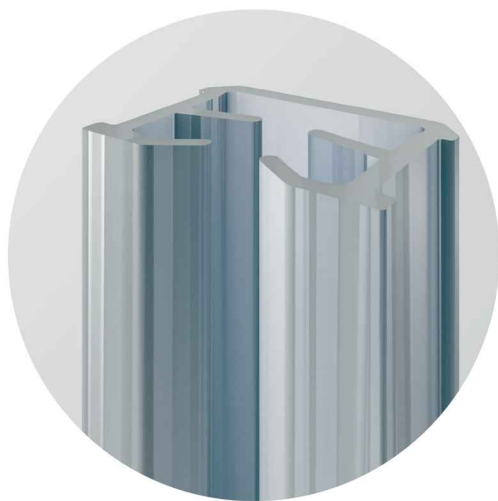
Essential and modern design

The vertical upright has been designed with reduced dimensions in order to extremely limitate the visual impact of extruded profiles. The sliding track's external aluminium cover aligned with the door, it is shaping a continuous and pleasant line. Profiles and accessories are available in different finishings, from lighter to darker colours, as per latest design trends.



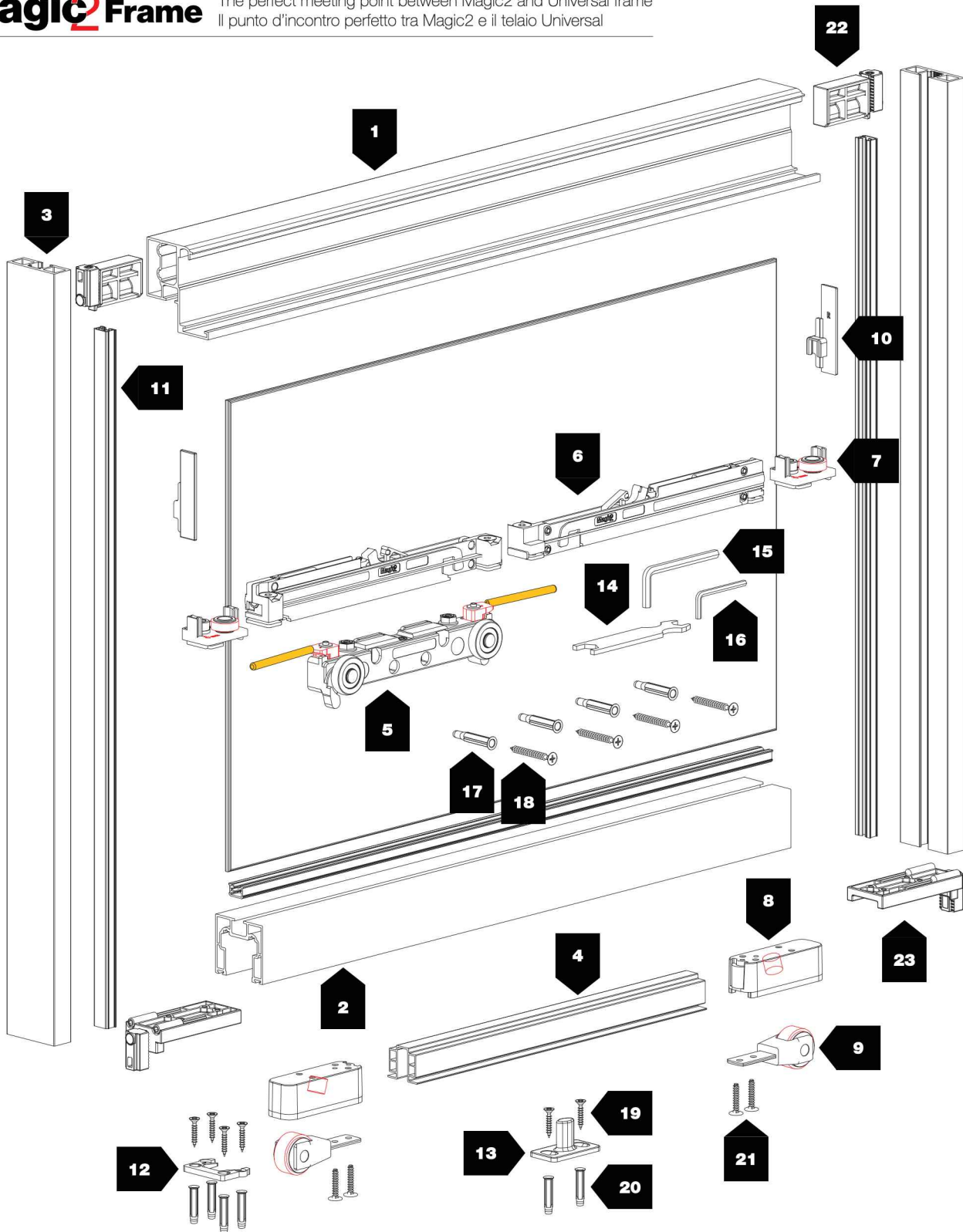
Reduced vertical and horizontal gap

Into the horizontal crosstrack are inserted dustcover brushes, allowing to fill the gap either in the bottom, as in the upper side, towards the external cover. According to that, horizontal or vertical door's gap will result extremely reduced.



Dedicated to monolithic and laminated glass

Thanks to innovative extruded profiles, **Universal** frame result to be highly resistant. Furthermore, it has been realized an innovative bi-extruded gasket which allows an optimal grip of glass. The bi-extruded gasket will allow to use monolithic and laminated glasses from 3/16" up to 1/4" thickness.



43 5/16" - 59 1/16"



176 lbs



3/8"

COLORS / COLORI



Brushed Anodized Silver
Argento Spazzolato



Brushed Anodized Nickel
Nichel Spazzolato



Brushed Anodized Graphite
Grafite Spazzolato



Brushed Anodized Dark Brown
E3 Spazzolato



Brushed Anodized Black
Nero Spazzolato

N°	Barcode	Image	kg		N°	Barcode	Image	kg	
1	2780		-		13	2855		-	
2	2778		-		14	1025		-	
3	2761		-		15	538		-	
4	2860		-		16	654		-	
5	2852		80		17	FISCHER UX6		-	
6	2864-80		80		18	4,5x40		-	
7	2856		-		19	4x30		-	
8	2858		80		20	FISCHER SX5		-	
9	2857		80		21	4x20		-	
10	2899		-		22	2774_DX 2774_SX		80	
11	2766		-		23	2776		80	



80 kg



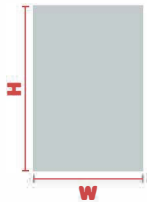
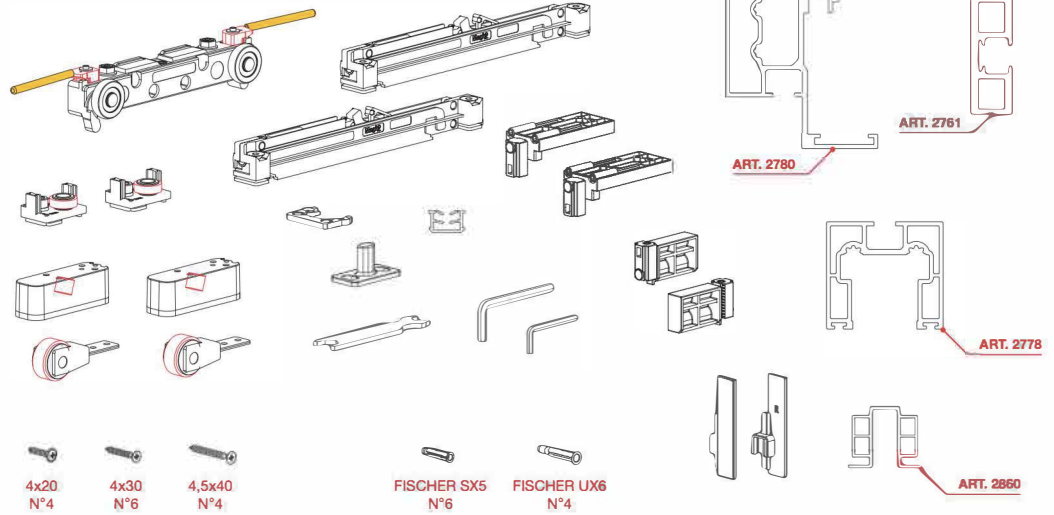
N.2 Soft damper stoppers
N.2 Fermi ammortizzati



Customizable door width
Larghezza porta personalizzabile

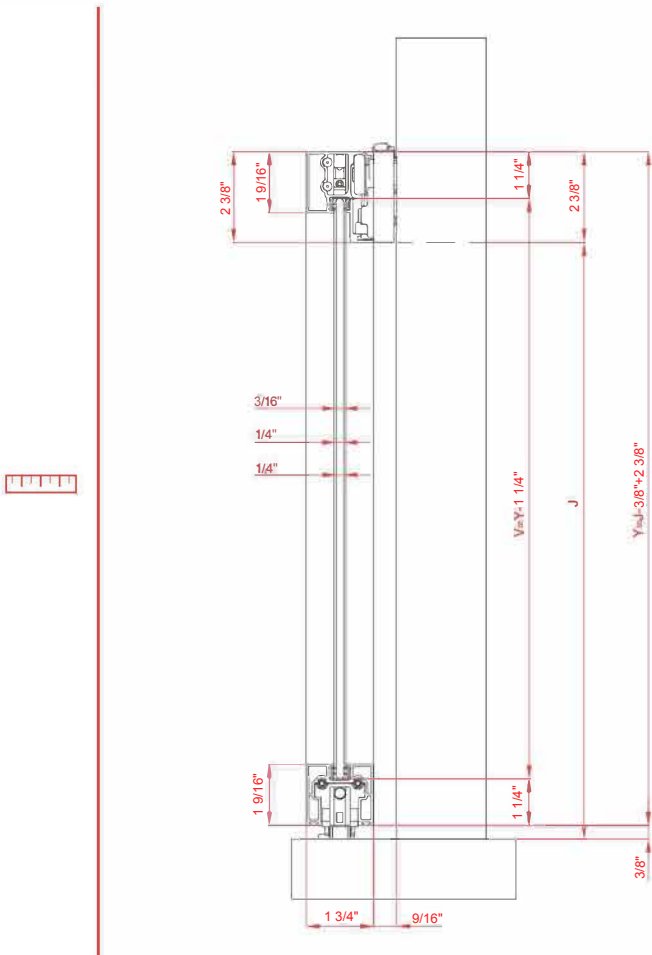


Patented system
Sistema brevettato

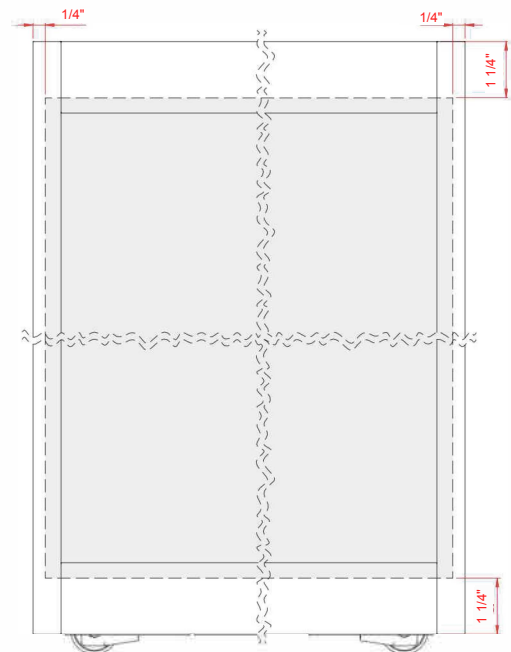


W	H	CODE	COLOURS / COLORI					MIN
			AS	NKS	GRFS	E3S	NS	
43 5/16"	86 5/8"	K.0462.1.1	.02	.17	.25	.13	.15	1x
	102 3/8"	K.0462.1.2	.02	.17	.25	.13	.15	1x
	118 1/8"	K.0462.1.3	.02	.17	.25	.13	.15	1x
59 1/16"	86 5/8"	K.0461.1.1	.02	.17	.25	.13	.15	1x
	102 3/8"	K.0461.1.2	.02	.17	.25	.13	.15	1x
	118 1/8"	K.0461.1.3	.02	.17	.25	.13	.15	1x

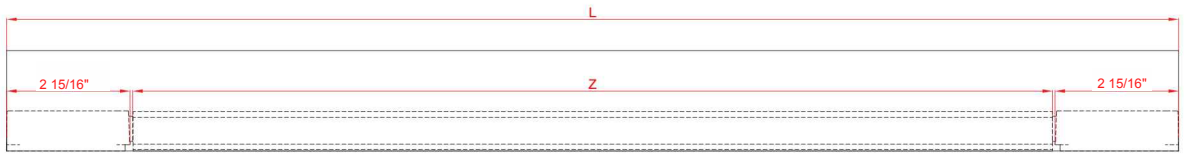
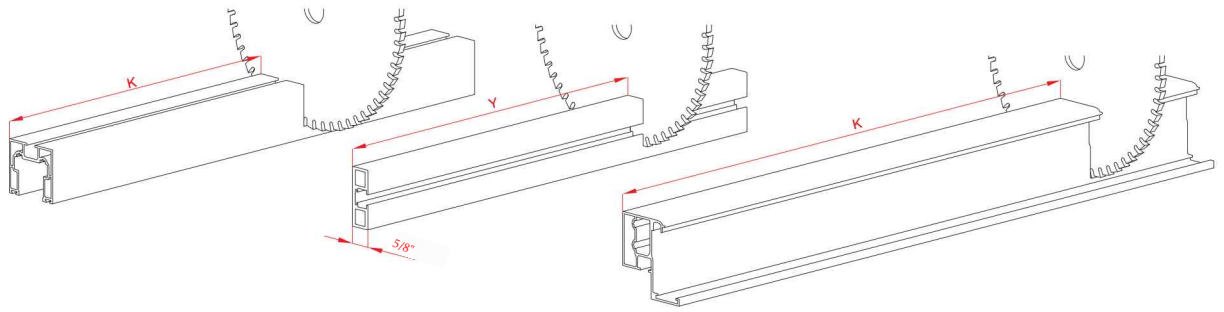
MEASUREMENTS DESCRIPTION / DESCRIZIONE MISURE



GLASS SIZE CALCULATION TABLE / CALCOLO VETRO

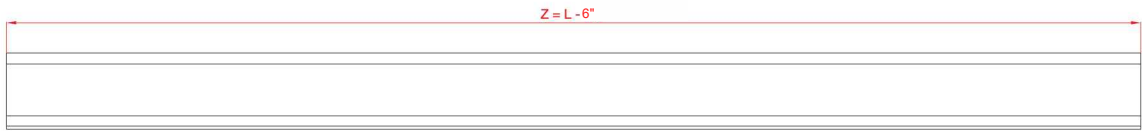


PROFILES CUTTING MEASUREMENTS / MISURE DI TAGLIO DEI PROFILI



ART. 2858

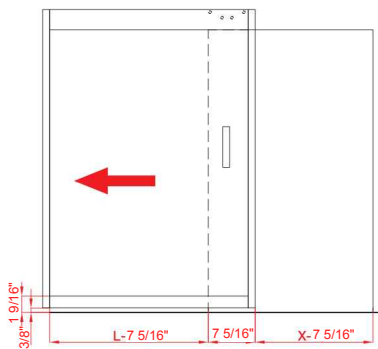
ART. 2858



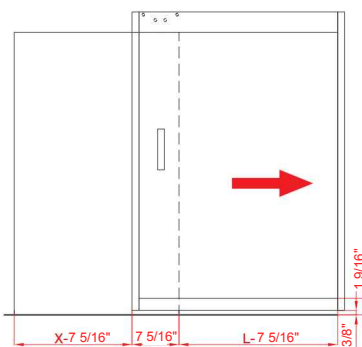
ART. 2860

ACCESSORIES PLACEMENT (STANDARD POSITION) / POSIZIONAMENTO DEGLI ACCESSORI (POSIZIONE STANDARD)

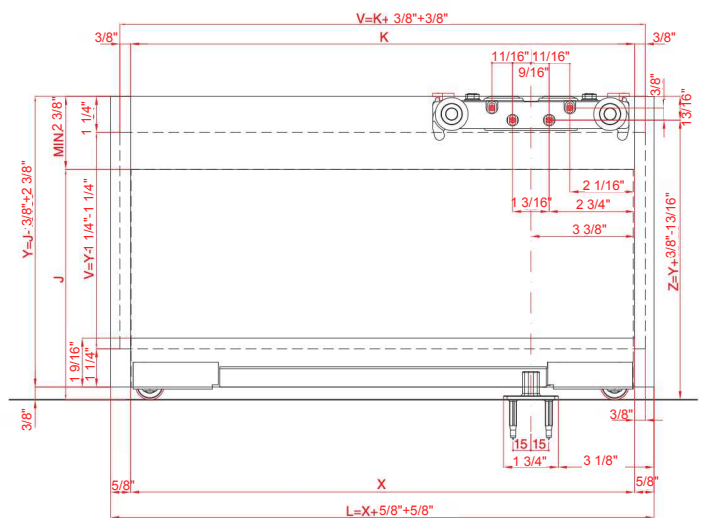
LEFT OPENING / APERTURA VERSO SINISTRA



RIGHT OPENING / APERTURA VERSO DESTRA



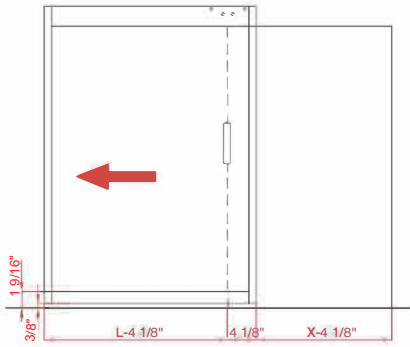
X = Min. $32 \frac{3}{16}"$ (L=33 $\frac{7}{16}"$)
X = Max. $57 \frac{13}{16}"$ (L=59 $\frac{1}{16}"$)



ACCESSORIES PLACEMENT (INTERMEDIATE POSITION) / POSIZIONAMENTO DEGLI ACCESSORI (POSIZIONE INTERMEDIA)

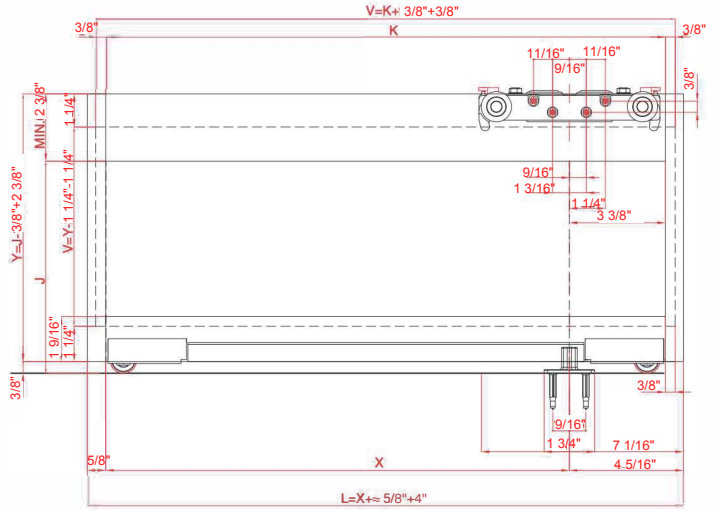
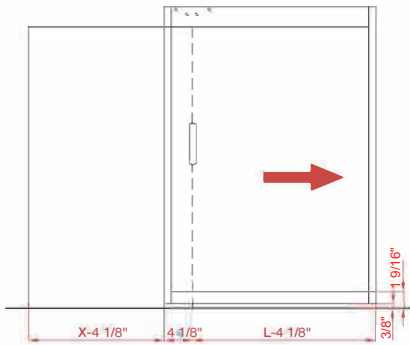


LEFT OPENING / APERTURA VERSO SINISTRA



X = Min. 28 7/8" (L=33 7/16")
X = Max. 54 7/16" (L=59 1/16")

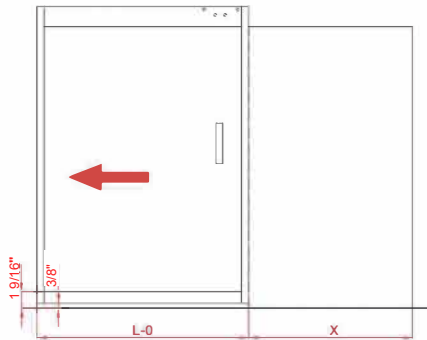
RIGHT OPENING / APERTURA VERSO DESTRA



ACCESSORIES PLACEMENT (TOTAL OPENING POSITION) / POSIZIONAMENTO DEGLI ACCESSORI (POSIZIONE APERTURA TOTALE)

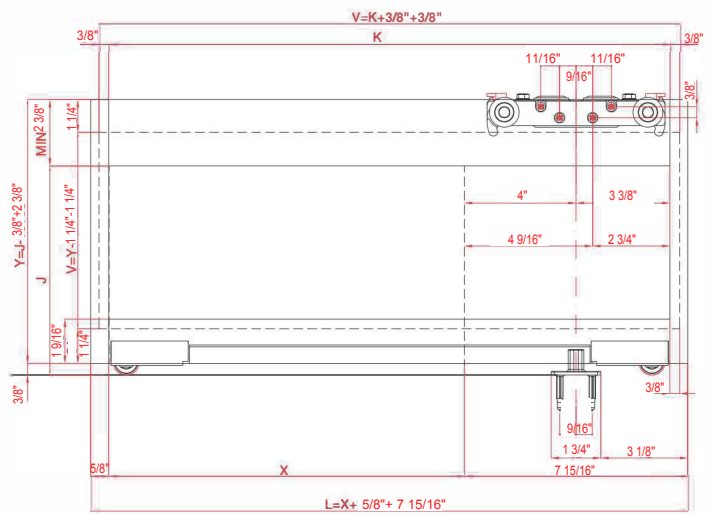
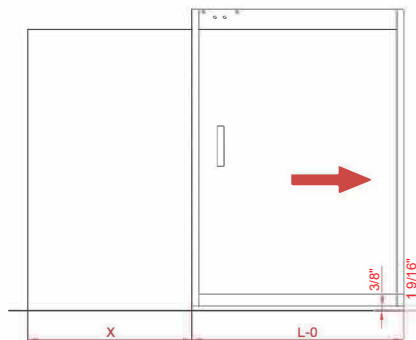


LEFT OPENING / APERTURA VERSO SINISTRA

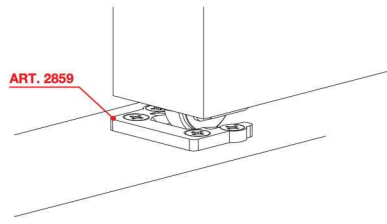
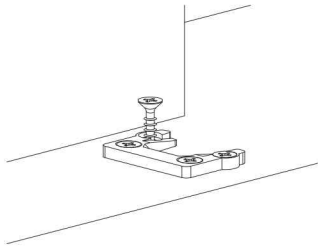


X = Min. 24 7/8" (L = 33 7/16")
X = Max. 50 1/2" (L = 59 1/16")

RIGHT OPENING / APERTURA VERSO DESTRA

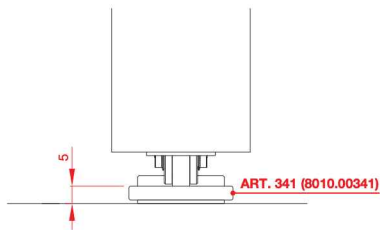
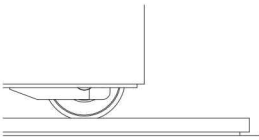


ART. 2859 - END STOPPER / FINE CORSA



**ALUMINIUM TRACK FOR IRREGULAR FLOOR
PROFILO IN ALLUMINIO PER PAVIMENTAZIONE IRREGOLARE**

OPTIONAL



ALUMINIUM PROFILE
PROFILO IN ALLUMINIO

ART. 341
(8010.00341)

ADHESIVE / ADESIVO

ART. 341
8 01 0 .00341



Milcasa Store

www.milcasastore.com
support@milcasastore.com

(888) MILCASA
(888) 645-2272