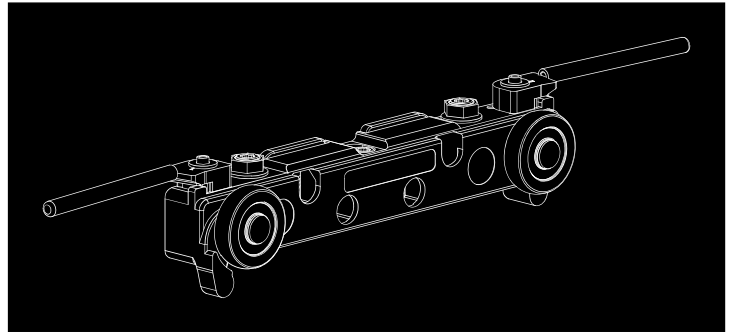




## Magic2 Mix Down

Magic2 system with no additional lower milling on the door



→← 1 1/2" ÷ 1 3/4"

🛒 88 lbs ÷ 176 lbs

⬆️⬆️ 3/8"

🌿 Dual shock absorbing stop

## Magic2 Mix Down

Magic2 Mix Down integrates all innovative features of Magic2 system, but it also allows to use the system with economical industrial laminated panels with fixed standard height. Thanks to Magic2 Mix Down all additional milling processing on the lower side of the door have been eliminated. The track, indeed, is directly screwed on the bottom edge of the door.

With Magic2 Mix Down system is possible to realize standard doors with thickness from 1 1/2" to 1 3/4".

