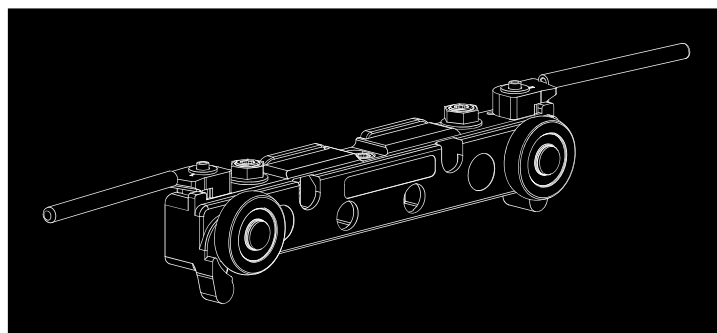




Magic2 Uni

Magic2 system with no additional millings on the door



→← 38 ÷ 44 mm

🛒 40 ÷ 80 kg

⬆️⬆️ 10 mm

🍃 Dual shock absorbing stop

Magic2 Uni

Magic2 Uni integrates all innovative features of Magic2 system, but it also allows to use the system with economical industrial laminated panels with fixed standard height. Thanks to Magic2 Uni all additional milling processing on the door have been totally eliminated. The tracks, indeed, are directly screwed on the top and on the bottom edge of the door.

With Magic2 Uni system is possible to realize standard doors with thickness from 38 to 44 mm.

