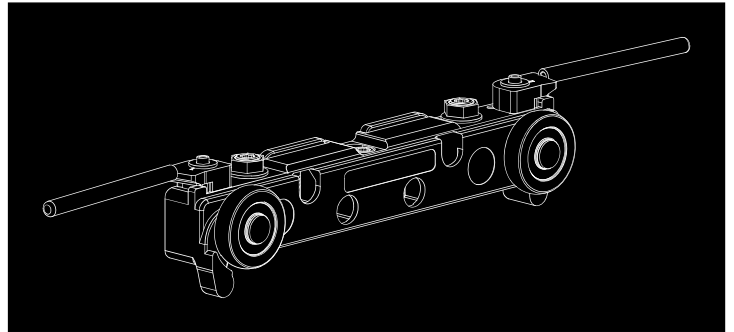




Magic2 Mix Up

Magic2 system with no additional upper milling on the door



Magic2 Mix Up

Magic2 Mix Up integrates all innovative features of Magic2 system, but it also allows to use the system with economical industrial laminated panels with fixed standard height. Thanks to Magic2 Mix Up all additional milling processing on the upper side of the door have been eliminated. The track, indeed, is directly screwed on the top edge of the door.

With Magic2 Mix Up system is possible to realize standard doors with thickness from 38 to 44 mm.

