

# DUETTO - Kit Duetto square handles diameter 48 mm 1 7/8" Active-Passive, 1 1/2" - 1 7/8" door thickness



**Description**

Embedded handle kit, with a ring handle, 1 7/8" milling diameter. The expanding spindle allows Fastening the handles on doors from 1 1/2" to 1 7/8" thick. The maximum protrusion from the door surface is 3/16".

**Use**

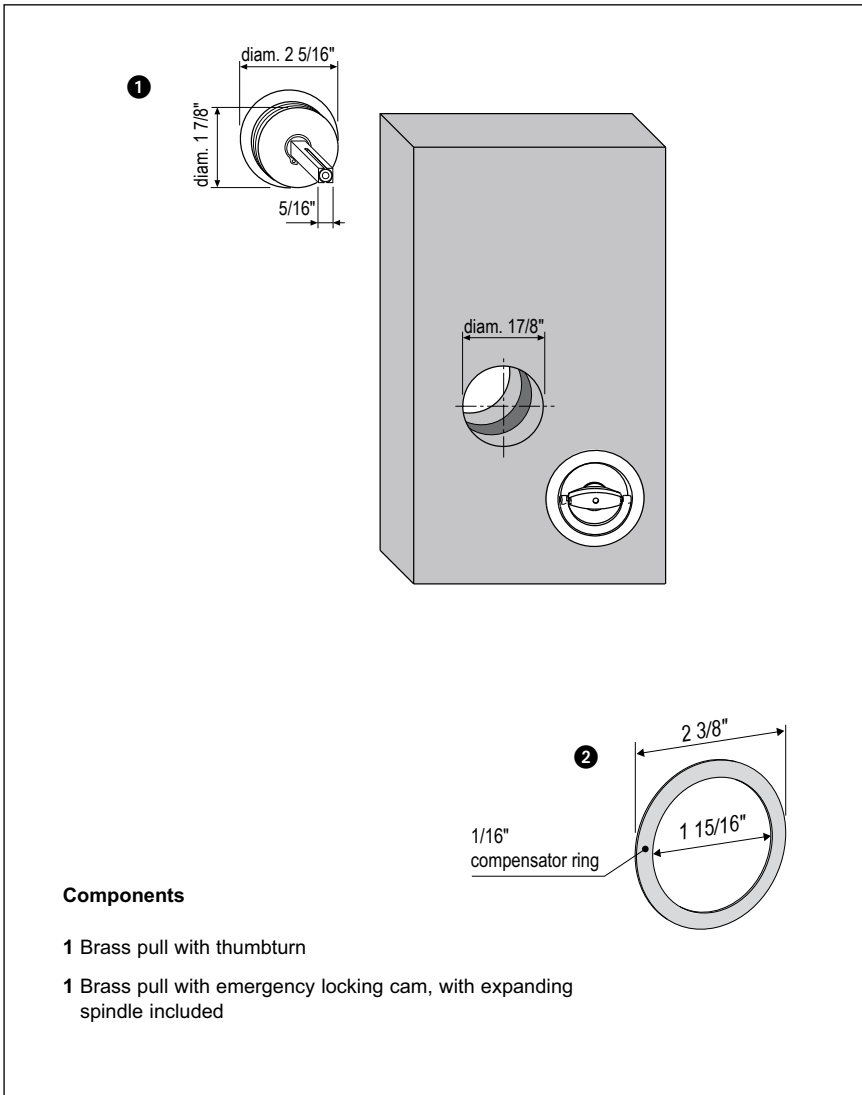
For folding doors installed on bathrooms or similar Uses. The kit is made of an active handle which operates the expanding spindle, and of a passive one (mounted on the other side) which works just for moving the door (idle rotation). The passive

handle is notched, in order to guarantee the emergency function by means of a screw driver or a coin.

The diameter 1 7/8" Kit cannot be combined with locks with backsets less than 1 3/8".

**Fastening**

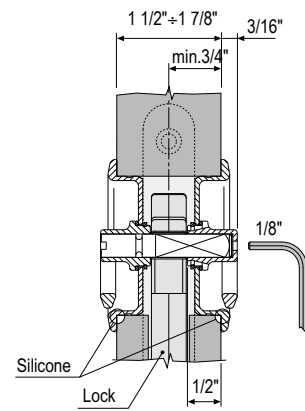
The handles are mounted on the door by means of the expanding spindle inside of the active handle. A 1/8" Allen key is required.



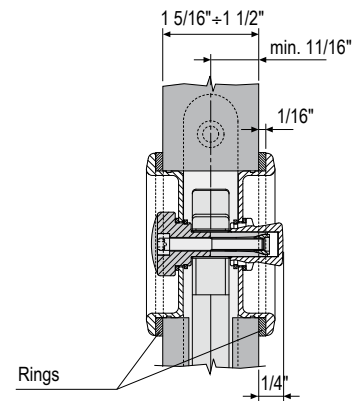
**Components**

- 1 Brass pull with thumbturn
- 1 Brass pull with emergency locking cam, with expanding spindle included

**HANDLES ASSEMBLY**



**DIAM. 1 7/8" RING FOR 34-38 MM DOOR THICKNESS**



**Order Specifications**

Ref.	Article
1	B02900.00.XX
2	B00700.30.XX

**Note.** Refer to the price list in force to check the availability of the finishes.