

DUETTO - Duetto handle kit, diameter 1 7/8" Active-Active, 1 1/2" - 1 7/8" door thickness



Description

Embedded handle kit, with a ring handle, 1 7/8" milling diameter. The expanding spindle allows to mount the handles on doors from 1 1/2" to 1 7/8" thick. The maximum protrusion from the door surface is 3/16".

Use

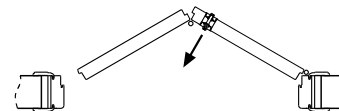
For folding doors installed on passing through rooms, e.g. passages, or similar Use where opening and closing the door on both sides is required.

The diameter 1 7/8" Kit cannot be combined with locks with backsets less than 1 3/8".

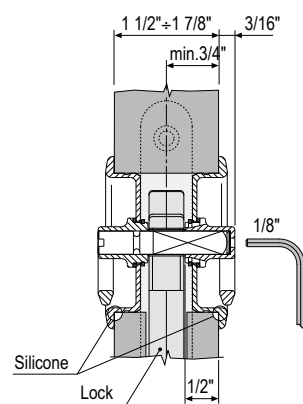
Fastening

The handles are mounted on the door by means of the expanding spindle inside of the active handle. A 1/8" Allen key is required.

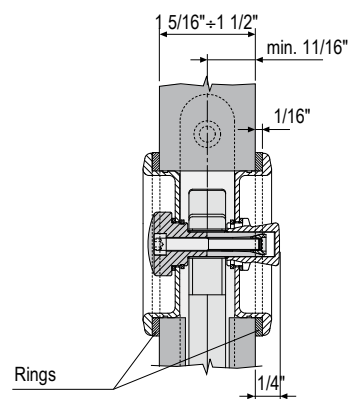
Note. We suggest to mount the handle with the expanding hub in the side door where it is pulled.



HANDLES ASSEMBLY



DIAMETER 1 7/8" RING FOR 1 5/16"-1 1/2" DOOR THICKNESS



Components

- 1 Brass pull with thumbturn
- 1 Brass pull with expanding spindle included

Order Specifications

Ref.	Article	Material
①	B02901.00.XX	Brass
	B02901.01.XX	Steel
②	B00700.30.XX	

Note. Refer to the price list in force to check the availability of the finishes.