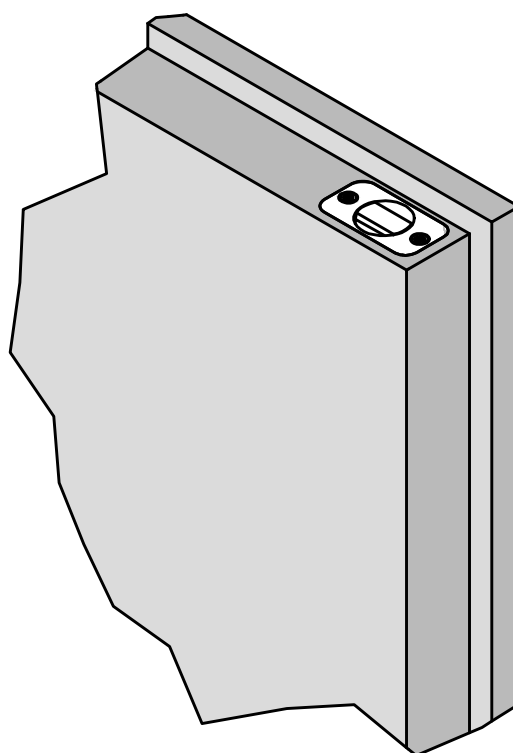
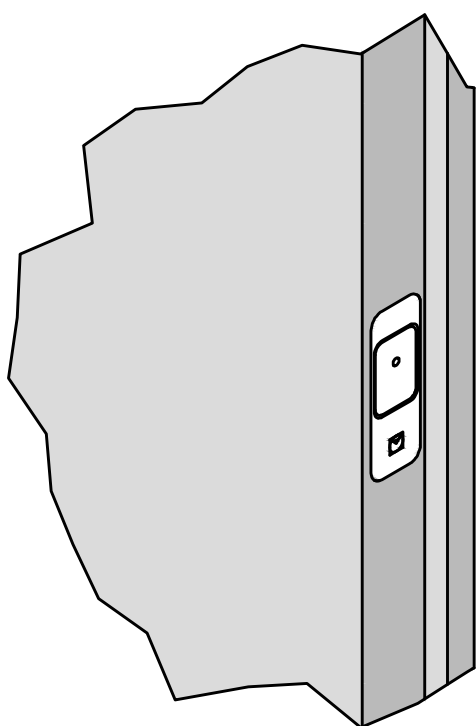




MAGNETIC UNLOCKING SYSTEM

Magnetic unlocking system
for double door



INDEX

Exploded view of hardware *page 3*

Overview of operations for the door *page 4*

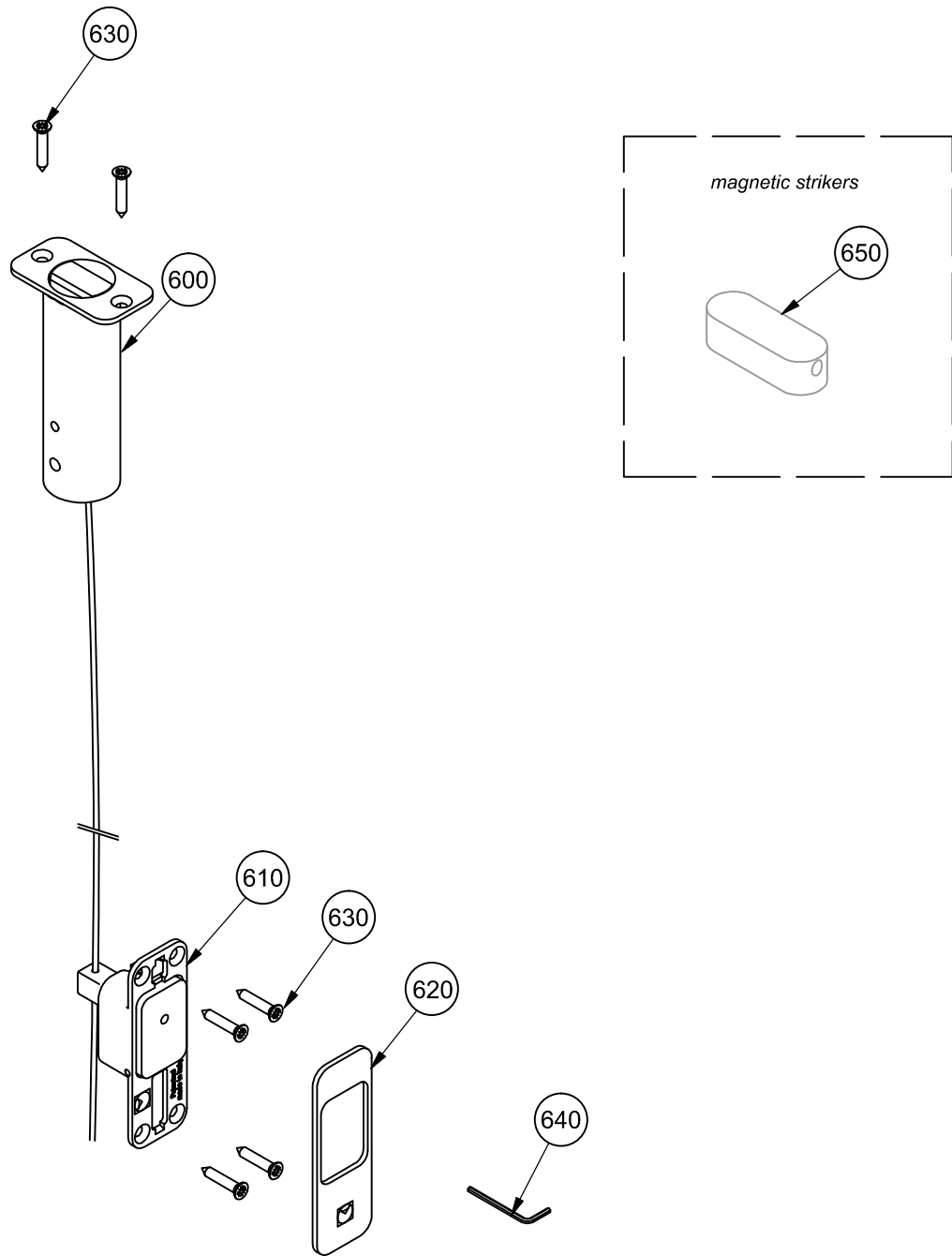
Upper housing for latch lock *page 5*

Lateral housing for button *page 6*

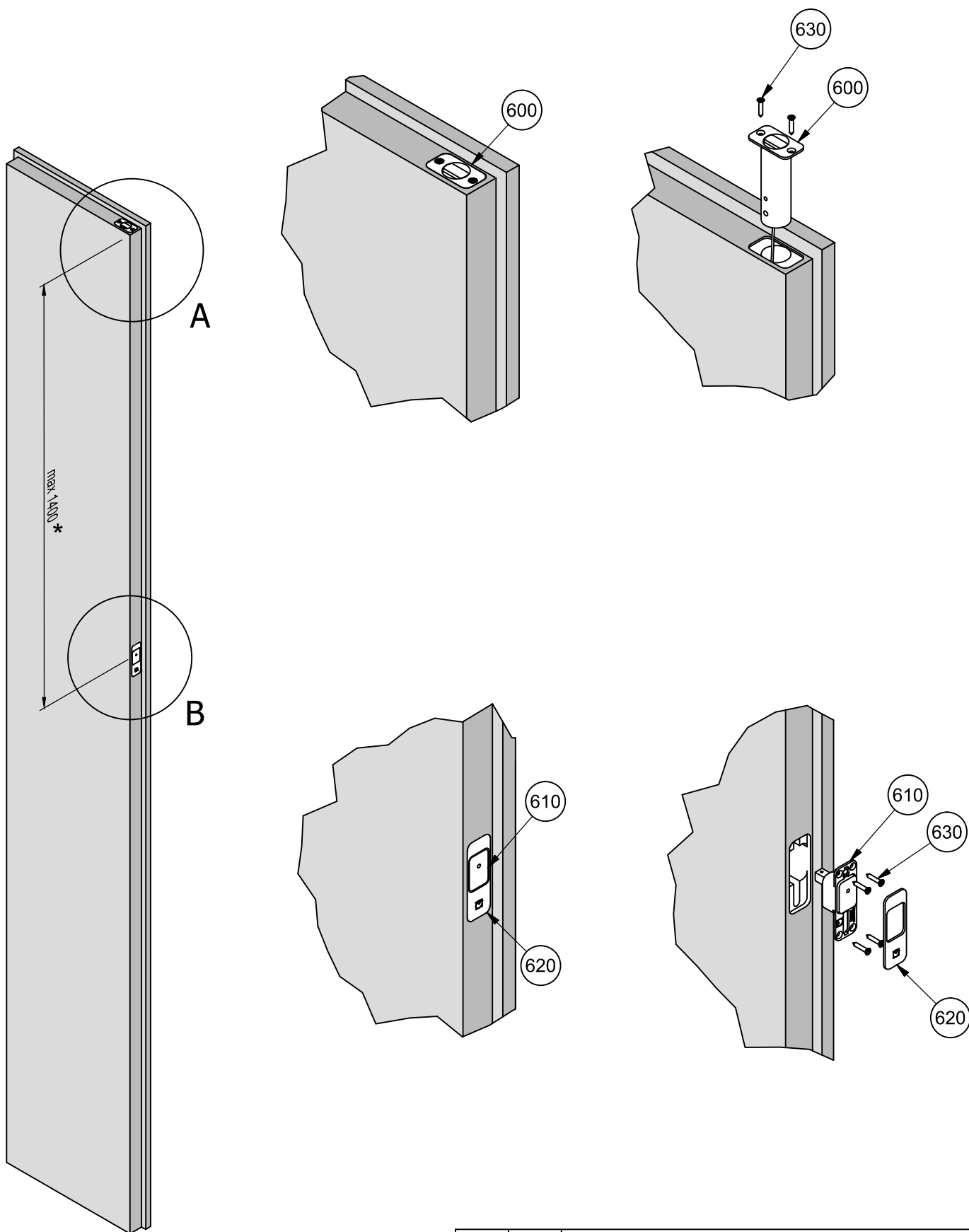
Specifications for solid wood doors or those without preparation *page 7*

Assembly of housing for latch lock *page 8*

Assembly of the button *page 9*



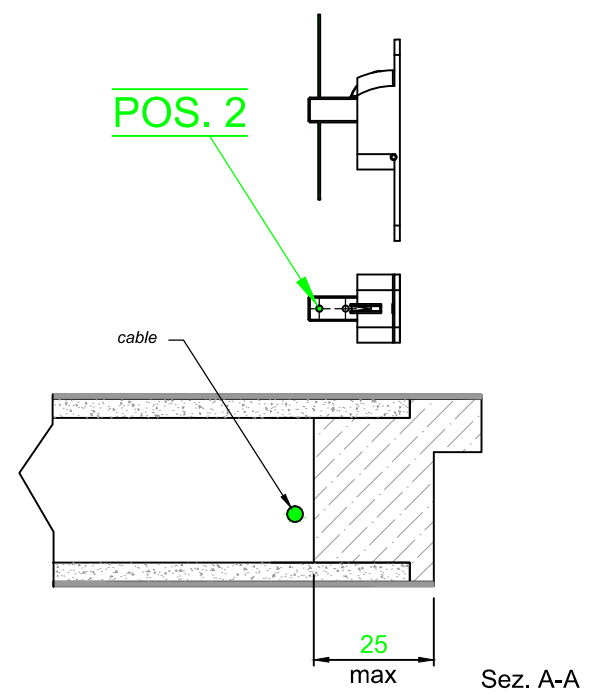
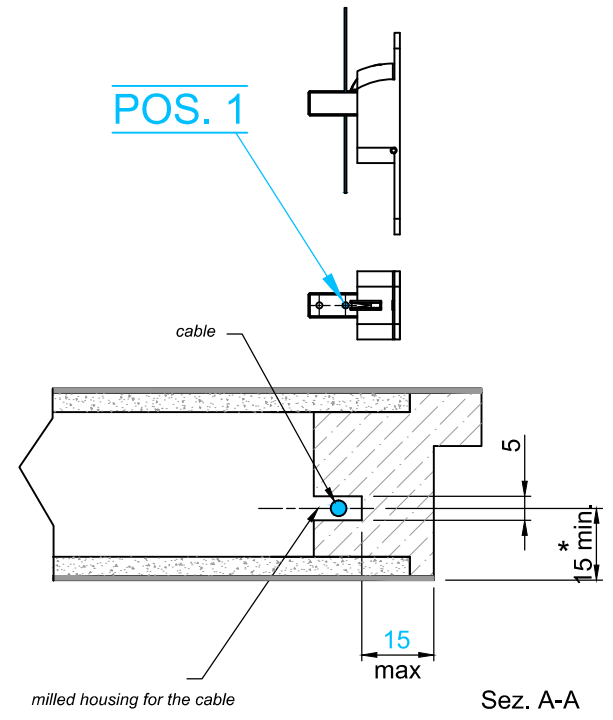
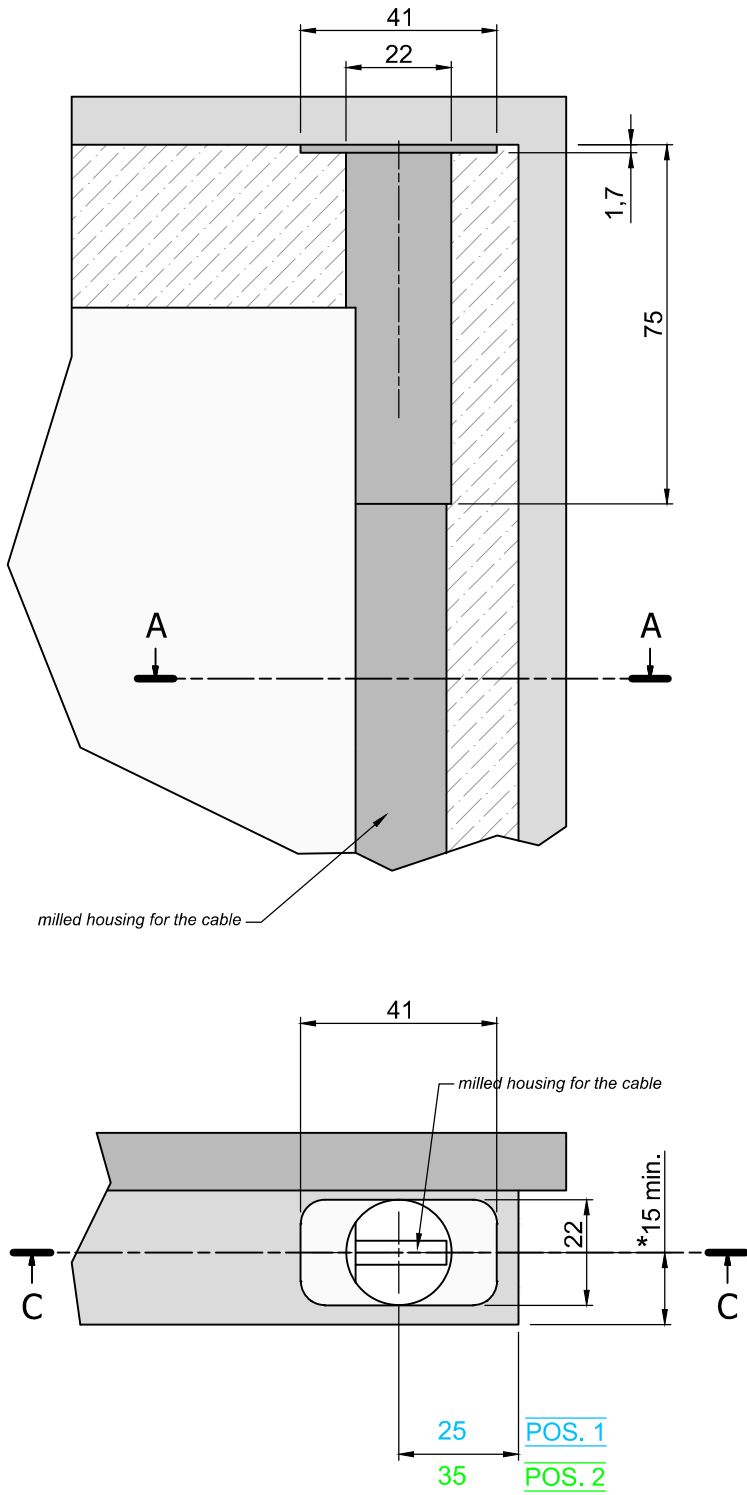
Rif.	Parts list
600	Lock
610	Button
620	Front plate
630	Autof. screws TSP+ Ø3x25
640	2 mm hexagonal wrench
650	magnetic strike



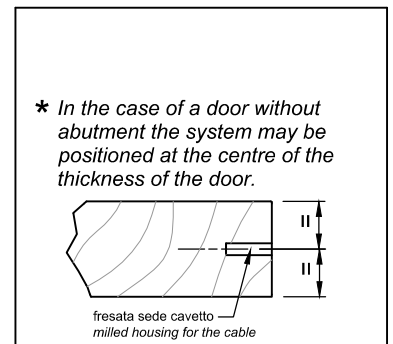
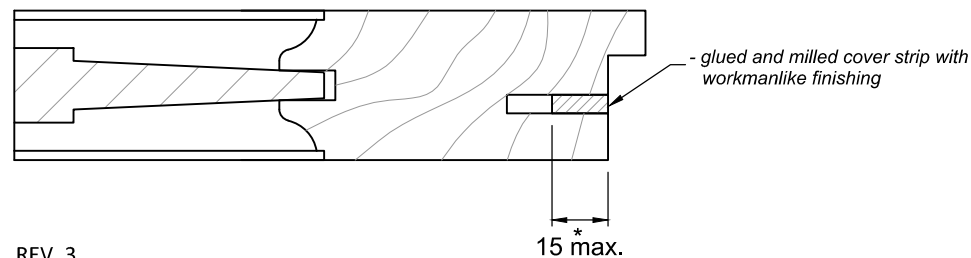
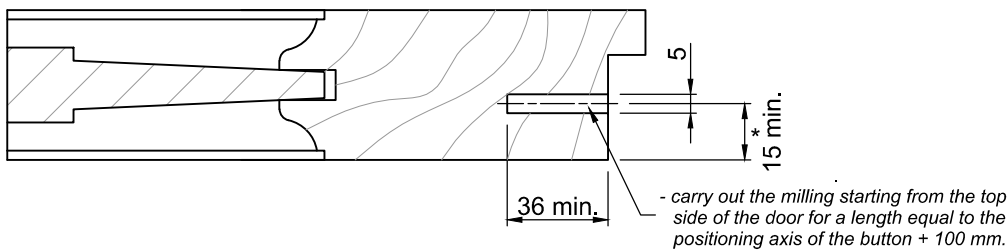
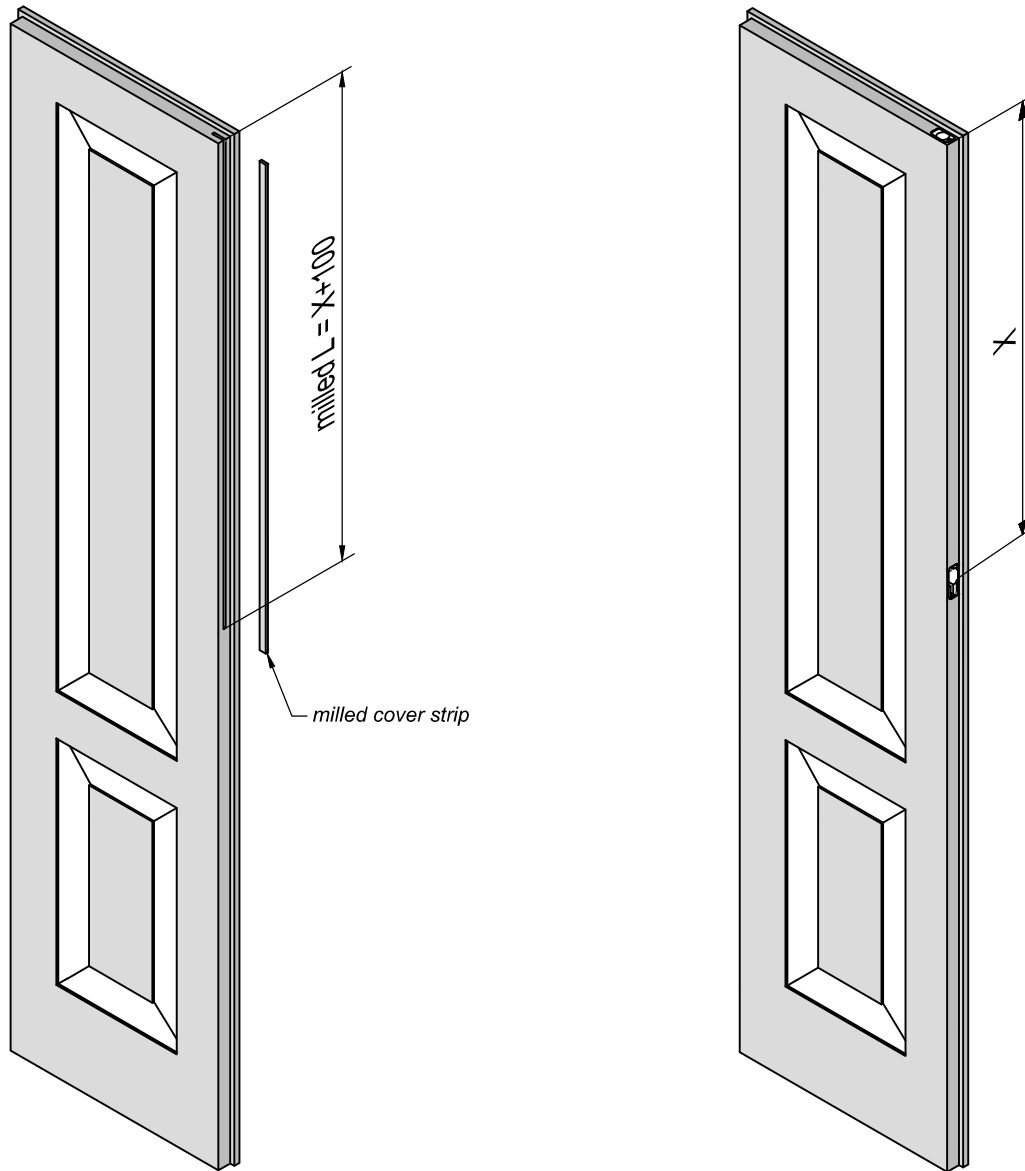
Rif.	Q.tà	Parts list
600	1	Lock
610	1	Button
620	1	Front plate

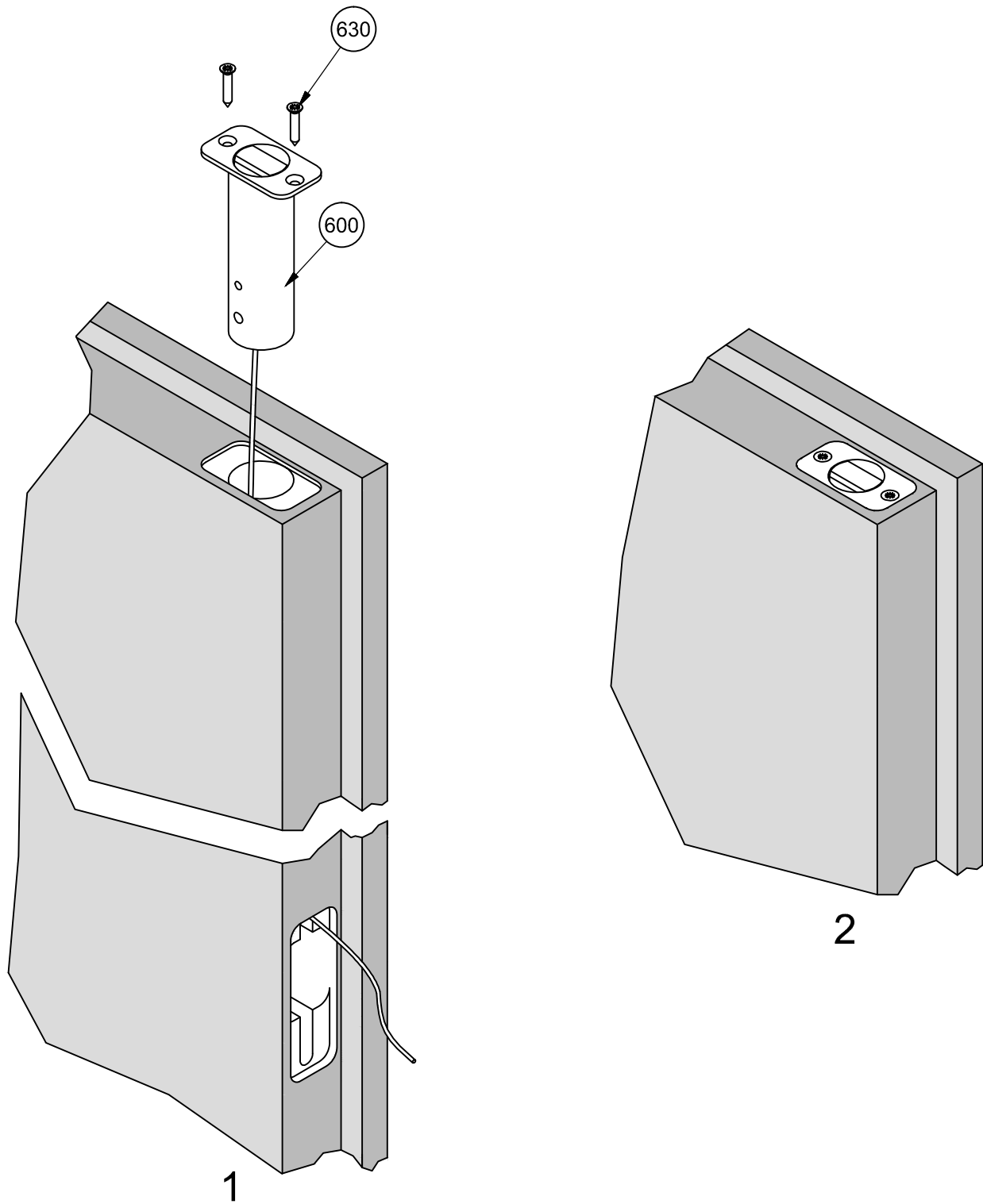
for larger sizes, ask Celegon about the feasibility

Cable and magnetic latch can be provided in two different position according to the needs.



* In the case of a door without abutment the system may be positioned at the centre of the thickness of the door.

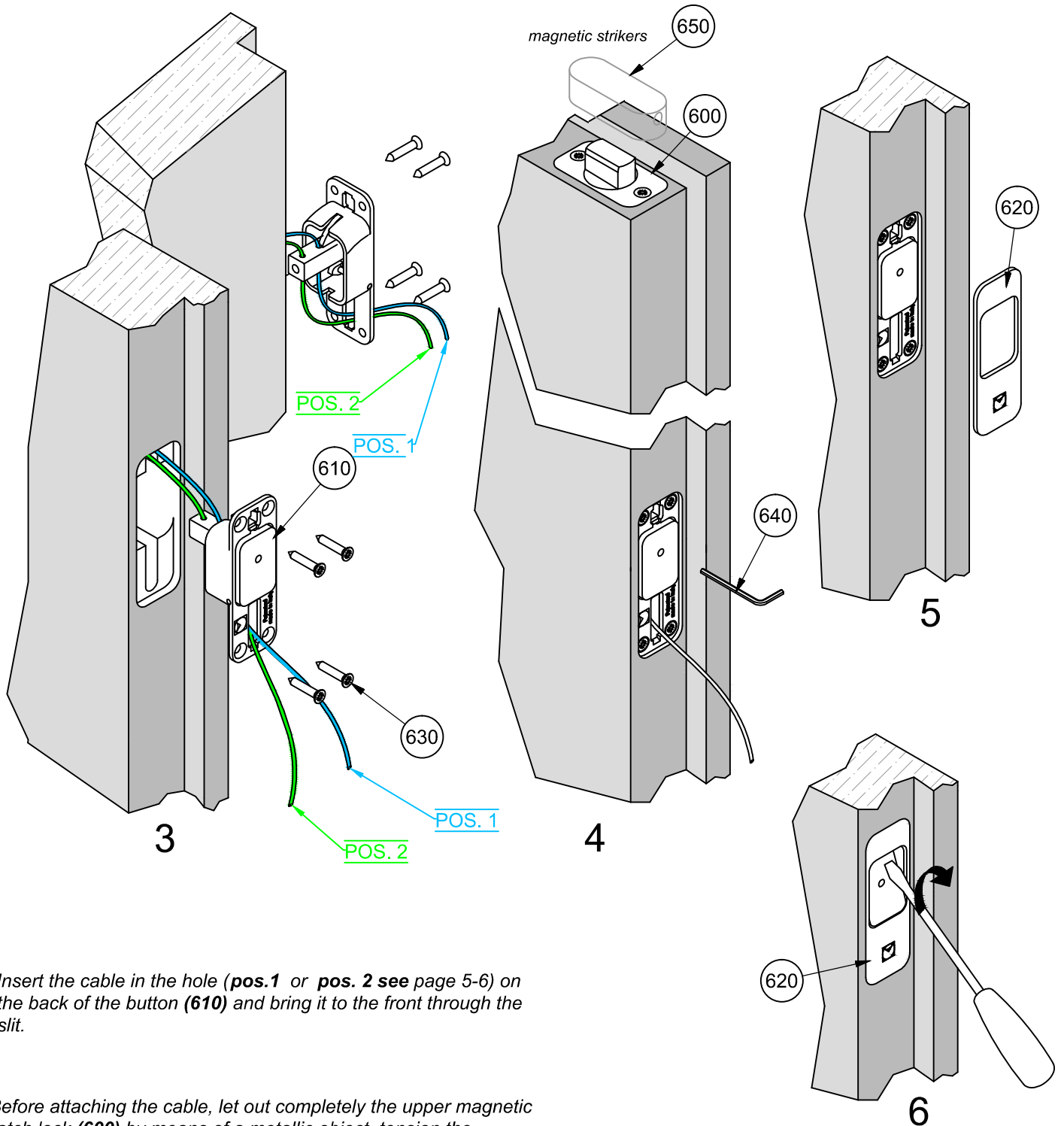




1) Insert the latch lock **(600)** on the top side of the door
let the cable slid within the milled area
having it exit from the underlying button housing.

2) Fasten the latch using the screws **(630)**.

Rif.	Q.tà	Parts list
600	1	Lock
630	2	Autof. screws TSP+ Ø3x25



3) Insert the cable in the hole (**pos.1** or **pos.2** see page 5-6) on the back of the button (**610**) and bring it to the front through the slit.

4) Before attaching the cable, let out completely the upper magnetic latch lock (**600**) by means of a metallic object, tension the cable being careful not to lower the latch, and then secure the cable with the allen wrench (**640**) supplied through the hole located in the centre of the button.

5) Check the correct operation of the system and then cut the excess cable letting it protrude 2/3 cm, reintroduce the protrusion on the inside of the door, apply the front plate (**620**).

6) To remove the bezel (**620**), press the button and insert the tip of a flat screwdriver in the specific slot.

Rif.	Q.tà	Parts list
600	1	Lock
610	1	Button
620	1	Front plate
630	4	Autof. screws TSP+ Ø3x25
640	1	2 mm allen wrench



MADE IN ITALY

The company reserves the right to make, at any moment, without prior notice, all the technical and aesthetic changes it deems appropriate in order to improve the quality and functionality of its products.