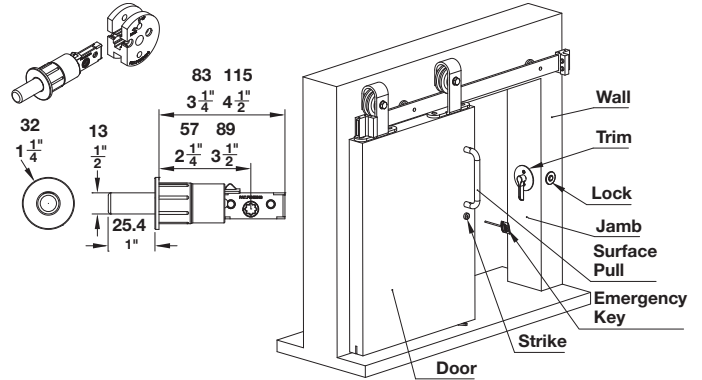


BL100 Privacy Lock for Sliding Barn Door

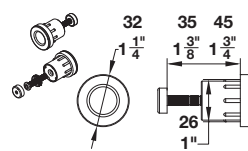


- > For wood barn doors in residential and commercial applications
- > Tubular drive-in bolt installed into jamb
- > Adjustable dust proof strike installed in the door on trailing side
- > Discrete release button installed on outer face of door for emergency release
- > 2 backset options: 57 mm (2 1/4") backset for wall thickness 115-165 (4 1/2"-6 1/2")
- 89 mm (3 1/2") backset for wall thickness 165 mm (6 1/2") and up
- > Door thickness: 35-45 mm (1 3/8"-1 3/4")
- > Non handed
- > Various trim options including ADA compliant levers
- > Spindle hub: 5 x 5 x 62 mm (3/16" x 3/16" x 2 7/16")
- > Lock bolt projection: 25.4 mm (1")

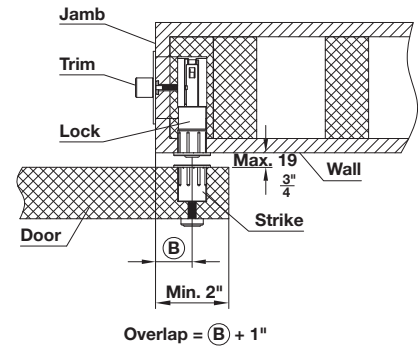
Lock



Dust Proof Strike (adjustable)

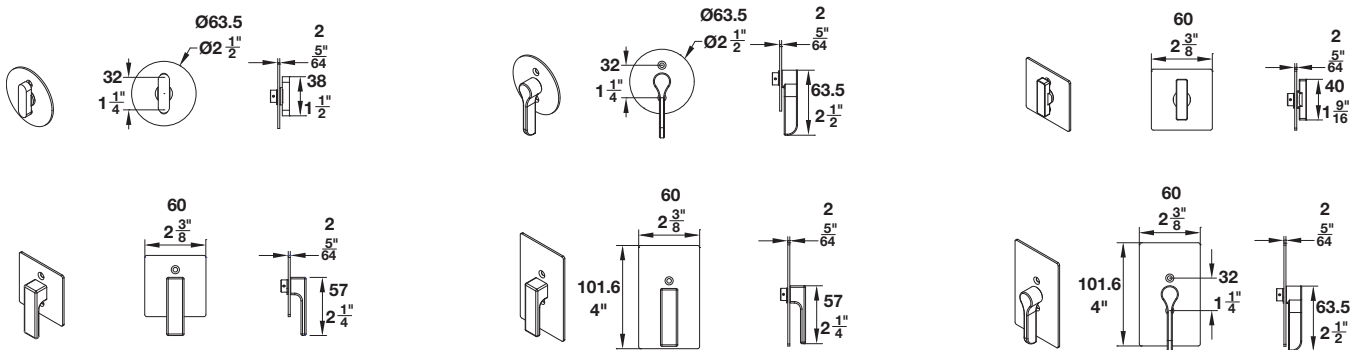


Door Overlap



BL100 Privacy Lock for Sliding Barn Door

> Lock sets, including locks, dust proof strikes trims and thumb turns



Description	Finish	57 mm (2 1/4")	90 mm (3 1/2")
BL100 with round trim and T1 thumb turn Ø63.5 mm (2 1/2")	stainless steel, matt	911.26.940	911.26.945
	stainless steel, polished	911.26.941	911.26.946
	oil-rubbed bronze	911.26.942	911.26.947
	chrome, matt	911.26.943	911.26.948
	black	911.27.042	911.27.047
BL100 with round trim and ADA T2 thumb turn Ø63.5 mm (2 1/2")	stainless steel, matt	911.26.950	911.26.955
	stainless steel, polished	911.26.951	911.26.956
	oil-rubbed bronze	911.26.952	911.26.957
	chrome, matt	911.26.953	911.26.958
BL100 with square trim and T1 thumb turn 60 x 60 mm (2 3/8" x 2 3/8")	black	911.27.052	911.27.057
	stainless steel, matt	911.26.960	911.26.965
	stainless steel, polished	911.26.961	911.26.966
	oil-rubbed bronze	911.26.962	911.26.967
BL100 with square trim and ADA T3 thumb turn 60 x 60 mm (2 3/8" x 2 3/8")	chrome, matt	911.26.963	911.26.968
	black	911.27.062	911.27.067
	stainless steel, matt	911.26.970	911.26.975
	stainless steel, polished	911.26.971	911.26.976
BL100 with rectangular trim and ADA T3 thumb turn 60 x 101.6 mm (2 3/8" x 4")	oil-rubbed bronze	911.26.972	911.26.977
	chrome, matt	911.26.973	911.26.978
	black	911.27.072	911.27.077
	stainless steel, matt	911.26.980	911.26.985
BL100 with rectangular trim and ADA T2 thumb turn 60 x 101.6 mm (2 3/8" x 4")	stainless steel, polished	911.26.981	911.26.986
	oil-rubbed bronze	911.26.982	911.26.987
	chrome, matt	911.26.983	911.26.988
	black	911.27.082	911.27.087
	stainless steel, matt	911.26.990	911.26.995
	stainless steel, polished	911.26.991	911.26.996
	oil-rubbed bronze	911.26.992	911.26.997
	chrome, matt	911.26.993	911.26.998
	black	911.27.092	911.27.097

Supplied With

Spindle: 5 x 5 x 62 mm (3/16" x 3/16" x 2 7/16")
Screw: M4 x 50 mm (1 15/16")

Dimensional data not binding. Dimensions in mm, inches are approximate. We reserve the right to alter specifications without notice.