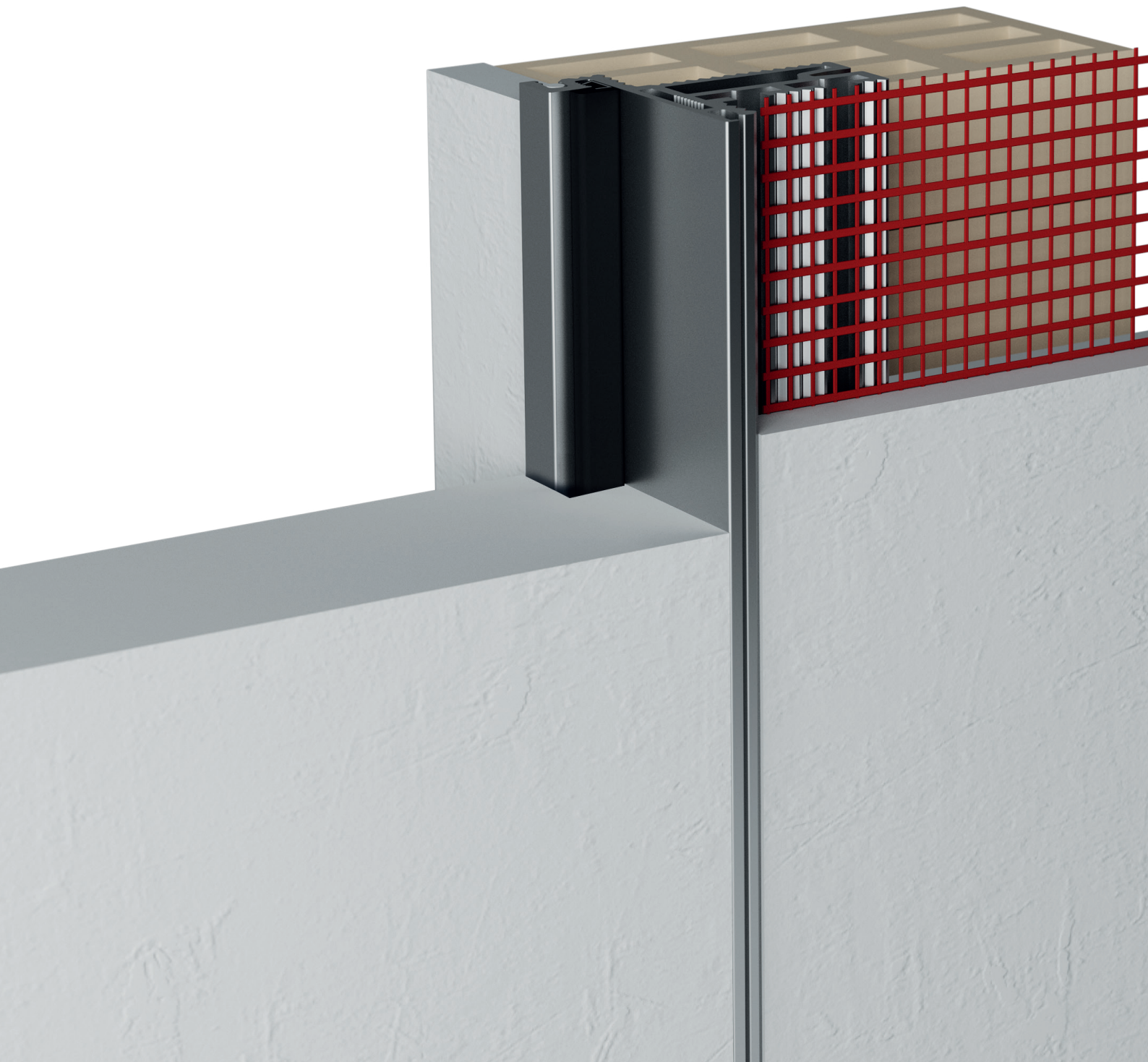




MILCASA
S T O R E

Fusion

Flush swing door system



Fusion

Fusion is the new flush swing wooden door system. The usage of best components allows a quick and easy installation.

Fusion system is suitable to main **different models of concealed hinges** currently on the market.




A new versatile system, for a unique design

Fusion flush swing system is used with **wooden doors** from 1 3/4" - 1 7/8" thickness.

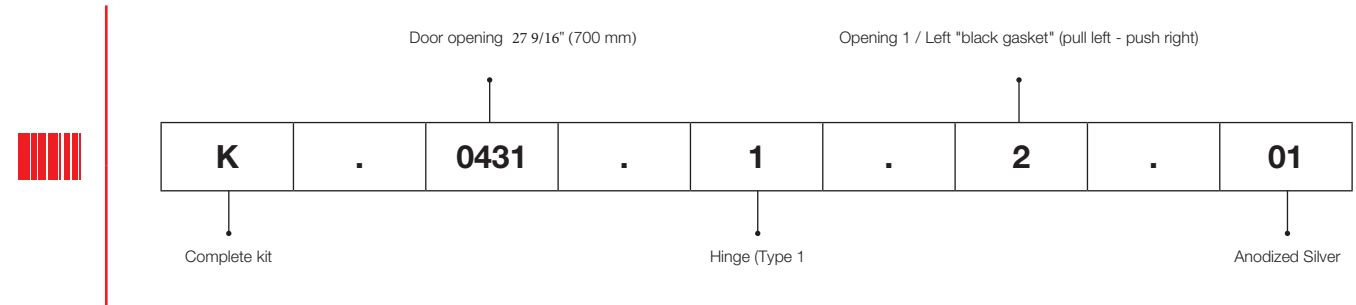
It is possible to supply **frames dedicated to standard door sizes**. Alternatively, it is possible to realize **frames according to special sizes requirements**, providing information of height, width and quantity of hinges to use.


Fusion system uses for all versions, the **standard "door-catcher" B024020934 ALUTOP XT AGB**.

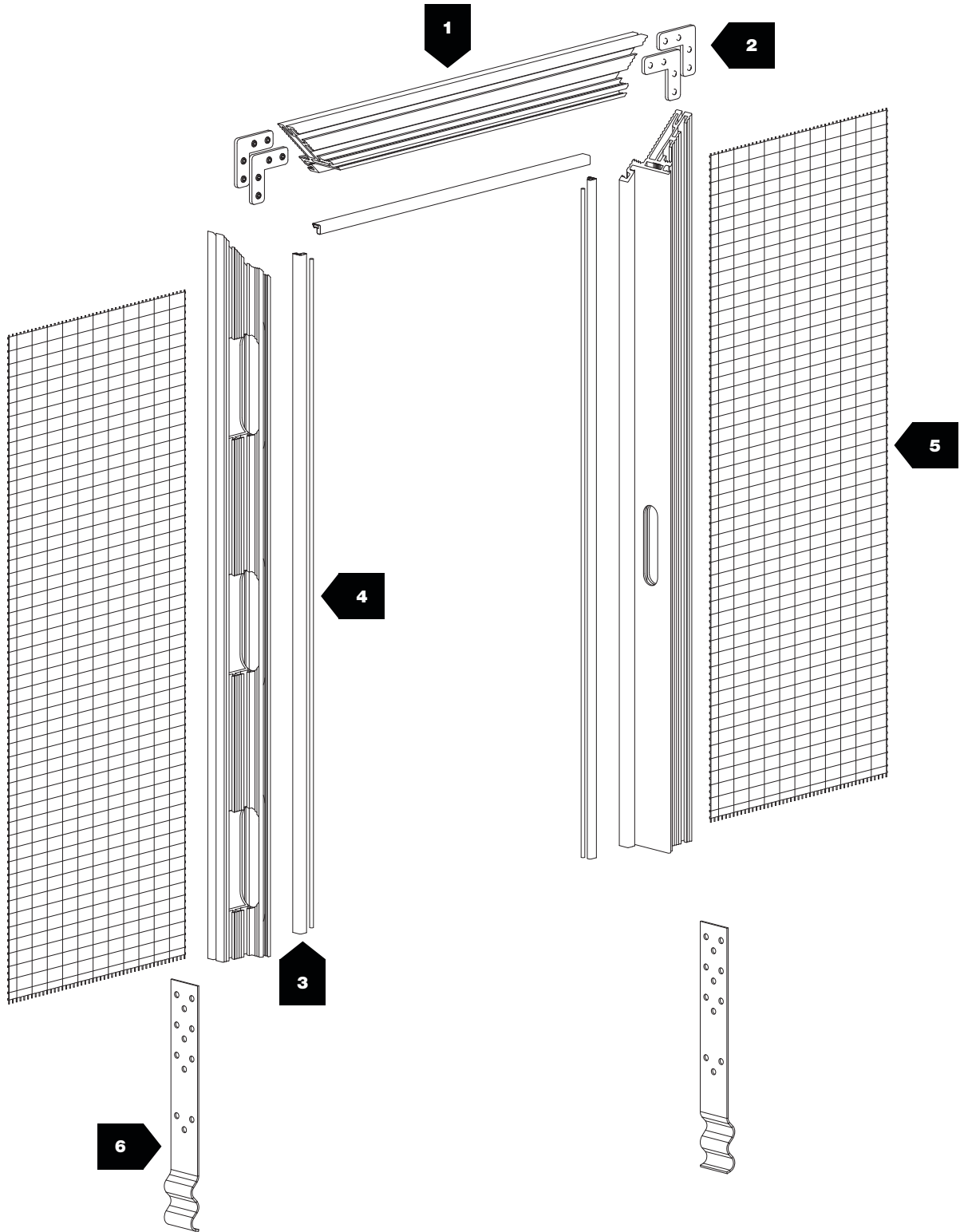


| | | | | | |
|---------------|-----------------------------|--------------------------------|------------------------------|---|-----------------|
| Fusion | | COMPLETE BOX KIT | |  | |
| K | Complete kit / Kit completo | | | | |
| | 0431 | Door opening 27 9/16" (700 mm) | | | |
| | 0432 | Door opening 31 1/2" (800 mm) | | | |
| | 0433 | Door opening 35 7/16" (900 mm) | | | |
| | 0434 | Door opening 39 3/8" (1000 mm) | | | |
| | | 1 | Hinge (Type 1) AGB | | |
| | | 2 | Hinge (Type 2) CEAM | | |
| | | 3 | Hinge (Type 3) ANSELM | | |
| | | | 1 | Opening 2 / Right "black gasket" (pull right - push left) | |
| | | | 2 | Opening 1 / Left "black gasket" (pull left - push right) | |
| | | | 3 | Opening 2 / Right "white gasket" (pull right - push left) | |
| | | | 4 | Opening 1 / Left "white gasket" (pull left - push right) | |
| | | | | 01 | Anodized Silver |

EXAMPLE







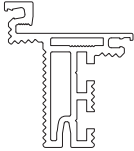
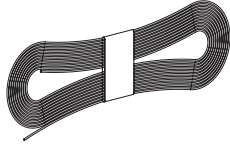
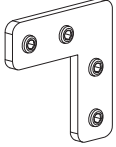
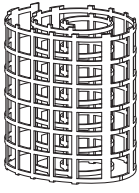

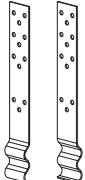
| | | | | |
|-----------------------|---------------------|-------------------------|--|---|
| Tracks | | ALUMINUM FINISHES CODES | |  |
| CODE | FINISH COLOR | | | |
| 8 00 0.0 | 00 G | Row - Mill Finish | | STANDARD |
| 8 01 0.0 | 01 A | Anodized Silver | | |



$1\ 3/4" \div 1\ 7/8"$



132 lbs (60 kg)

| N° |  | |  | | N° |  | |  | |
|----|---|---|---|--|----|---|---|---|--|
| 1 | <p>2900</p> <p>8 00 0.02900</p> <p>8 01 0.02900</p> |  | - | | 4 | 2910 |  | - | |
| 2 | 446 |  | - | | 5 | 2907 |  | - | |
| 3 | 2909 |  | - | | 6 | 2908 |  | - | |

Fusion

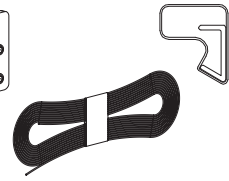
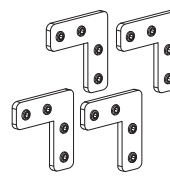
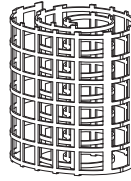
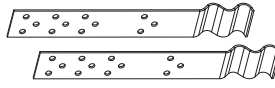
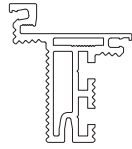
Flush swing door system



132 lbs

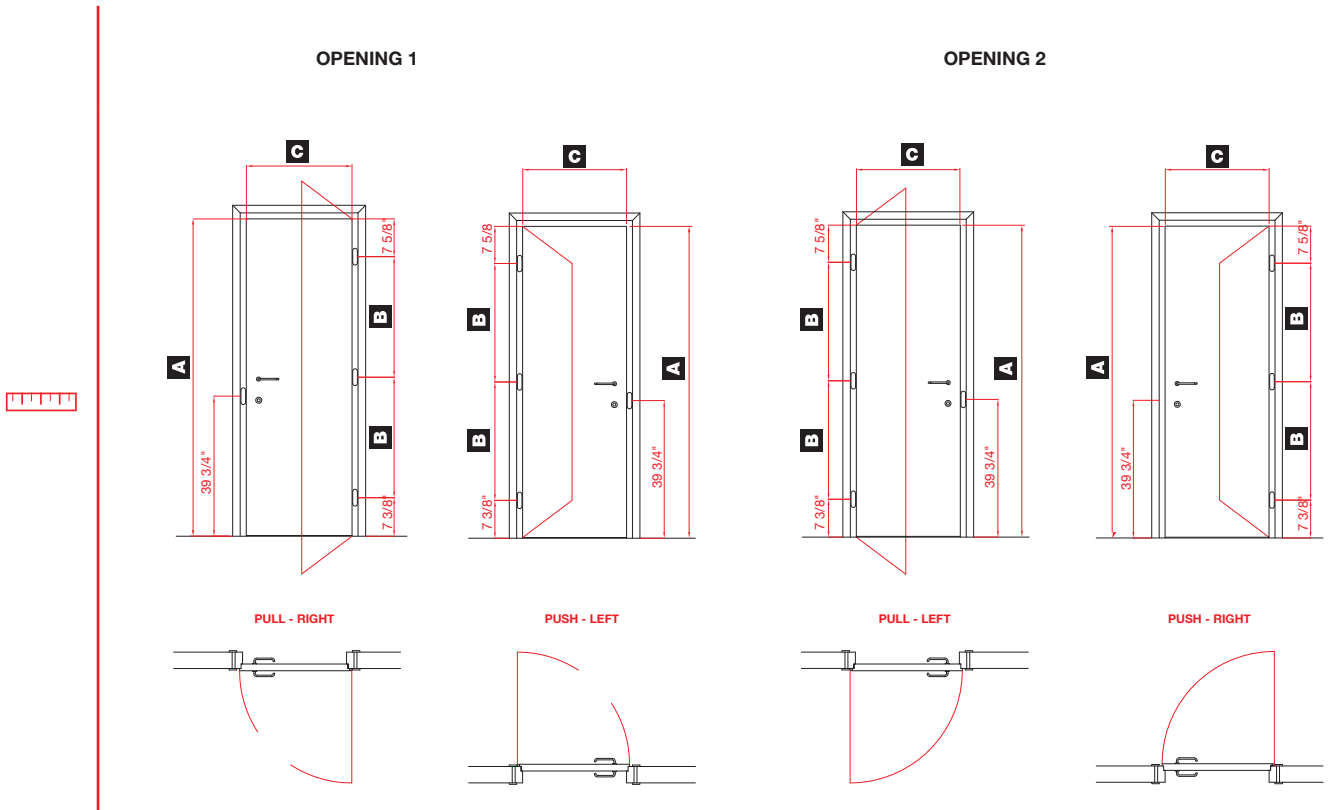
.01

Anodized Silver

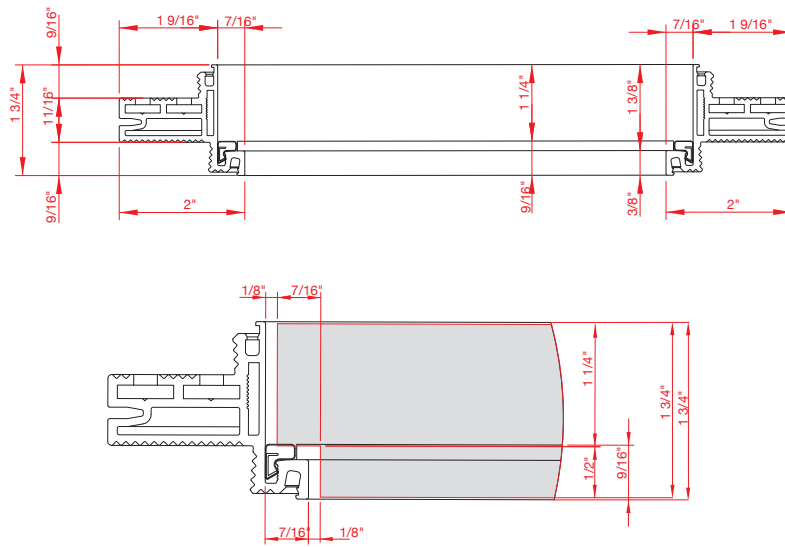


| KIT STANDARD | | | KIT SPECIAL | | | MEASUREMENTS | | | | | | | |
|---------------|---------------|---------------|---------------|--------|---|--------------|---|-----|-------|---------------------|-----|----------|----|
| OPENING 1 | TYPE (AGB) | TYPE (CEAM) | TYPE (ANSELM) | GASKET | A | B | C | MIN | | | | | |
| | K.0431.1.2.01 | K.0431.2.2.01 | K.0431.3.2.01 | | | | | | Black | 82 11/16" (2100 mm) | 860 | 27 9/16" | 1x |
| | K.0432.1.2.01 | K.0432.2.2.01 | K.0432.3.2.01 | | | | | | | | | 31 1/2" | 1x |
| | K.0433.1.2.01 | K.0433.2.2.01 | K.0433.3.2.01 | | | | | | | | | 35 7/16" | 1x |
| | K.0434.1.2.01 | K.0434.2.2.01 | K.0434.3.2.01 | | | | | | | | | 39 3/8" | 1x |
| | K.0431.1.4.01 | K.0431.2.4.01 | K.0431.3.4.01 | | | | | | White | | | 27 9/16" | 1x |
| | K.0432.1.4.01 | K.0432.2.4.01 | K.0432.3.4.01 | | | | | | | | | 31 1/2" | 1x |
| | K.0433.1.4.01 | K.0433.2.4.01 | K.0433.3.4.01 | | | | | | | | | 35 7/16" | 1x |
| K.0434.1.4.01 | K.0434.2.4.01 | K.0434.3.4.01 | 39 3/8" | 1x | | | | | | | | | |
| OPENING 2 | K.0431.1.1.01 | K.0431.2.1.01 | K.0431.3.1.01 | GASKET | A | B | C | MIN | | | | | |
| | K.0432.1.1.01 | K.0432.2.1.01 | K.0432.3.1.01 | | | | | | Black | 82 11/16" (2100 mm) | 860 | 27 9/16" | 1x |
| | K.0433.1.1.01 | K.0433.2.1.01 | K.0433.3.1.01 | | | | | | | | | 31 1/2" | 1x |
| | K.0434.1.1.01 | K.0434.2.1.01 | K.0434.3.1.01 | | | | | | | | | 35 7/16" | 1x |
| | K.0431.1.3.01 | K.0431.2.3.01 | K.0431.3.3.01 | | | | | | | | | 39 3/8" | 1x |
| | K.0432.1.3.01 | K.0432.2.3.01 | K.0432.3.3.01 | | | | | | White | | | 27 9/16" | 1x |
| | K.0433.1.3.01 | K.0433.2.3.01 | K.0433.3.3.01 | | | | | | | | | 31 1/2" | 1x |
| | K.0434.1.3.01 | K.0434.2.3.01 | K.0434.3.3.01 | | | | | | | | | 35 7/16" | 1x |
| K.0434.1.3.01 | K.0434.2.3.01 | K.0434.3.3.01 | 39 3/8" | 1x | | | | | | | | | |

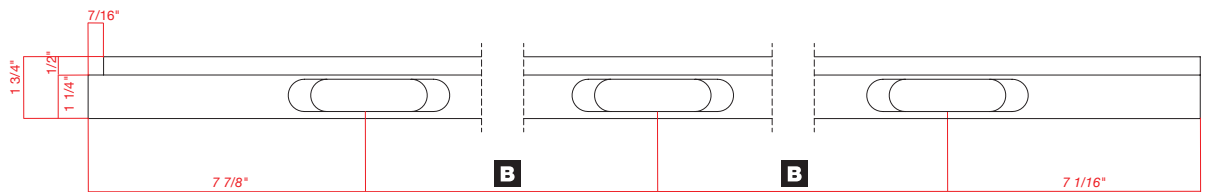
MEASUREMENTS DESCRIPTION



MEASUREMENTS DESCRIPTION



DOOR MEASUREMENTS DESCRIPTION

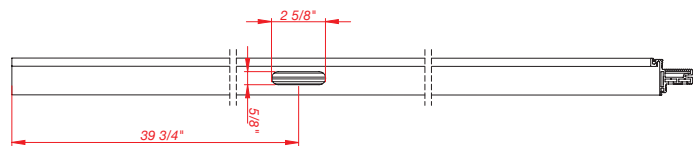


HINGES

DOOR-CATCHER

AGB

ALUTOP XT



STANDARD

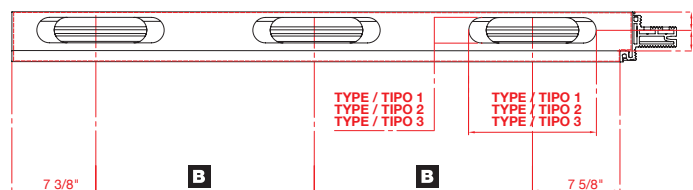
| | | |
|--------|-----|-------------|
| TYPE 1 | AGB | ECLIPSE 3.0 |
| | | ECLIPSE 3.2 |
| | | ECLIPSE 3.3 |
| | | ECLIPSE 3.4 |

SPECIAL

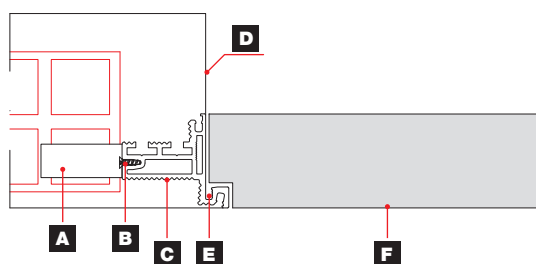
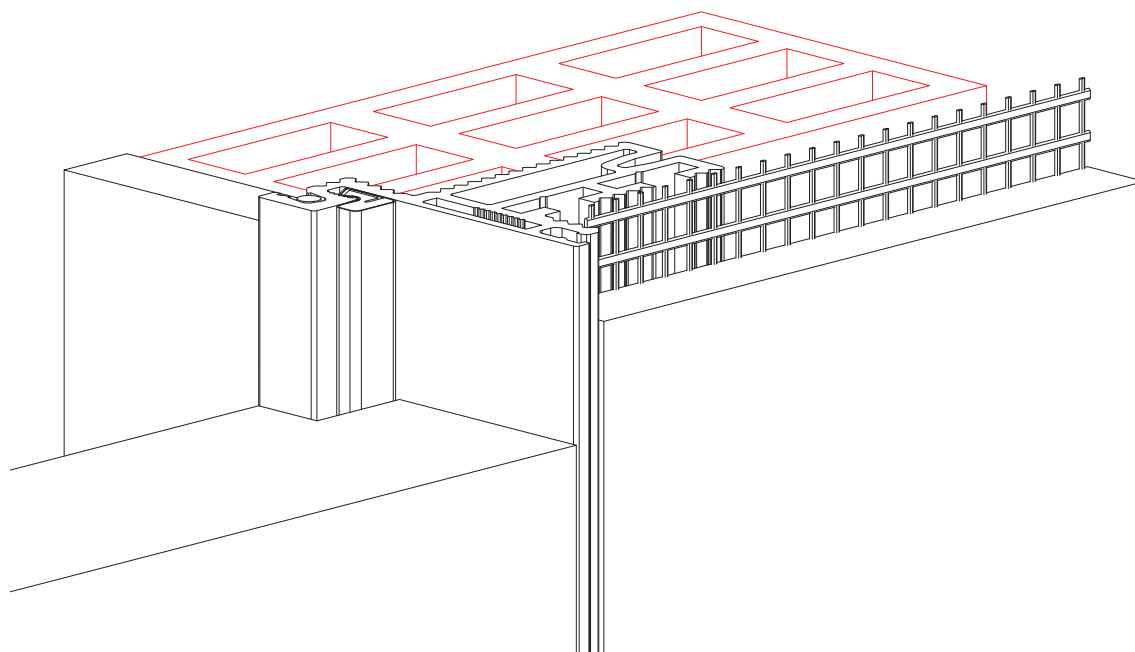
| | | |
|--------|------|-------|
| TYPE 2 | CEAM | 1430 |
| | | 1130S |

SPECIAL

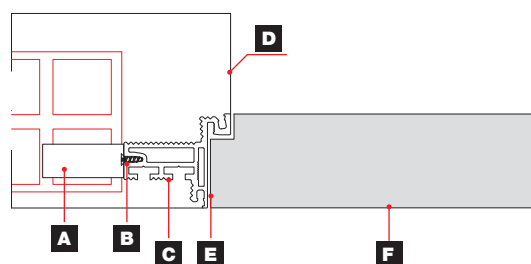
| | | |
|--------|---------|---------------|
| TYPE 3 | ANSELMI | ISTAR521 |
| | | AN 140 3D |
| | | AN 140 3D ALU |
| | | AN 150 3D |
| | | AN 150 3D ALU |
| | | AN 150 3D 40 |
| | | AN 150 3D 44 |
| | | AN 160 3D |
| | | AN 160 3D ALU |
| | | AN 170 3D |
| | | AN 170 3D ALU |
| | | AN 170 3D 40 |
| | | AN 170 3D 44 |



MASONRY APPLICATION



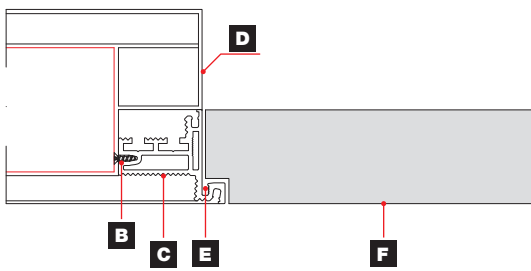
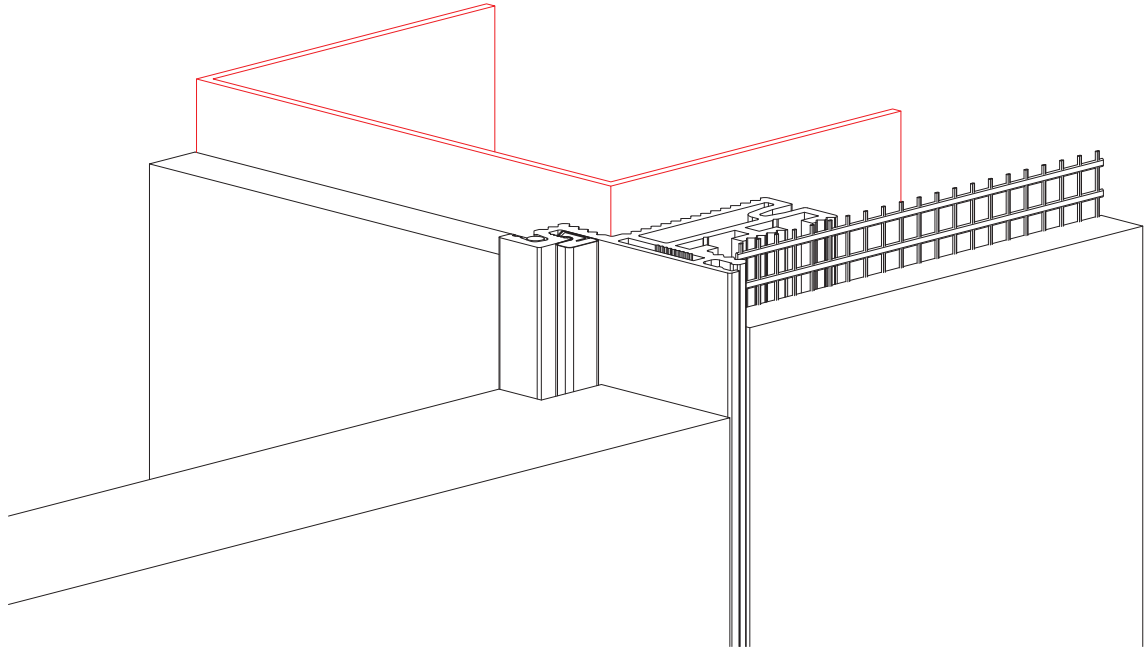
PUSHING OPENING



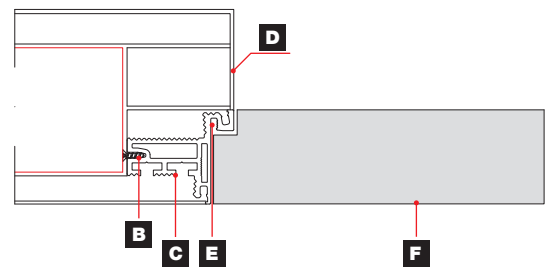
PULLING OPENING

| | |
|----------|-----------|
| A | ART. 2908 |
| B | SCREW |
| C | ART. 2900 |
| D | ART. 2907 |
| E | ART. 2909 |
| F | DOOR |

PLASTERBOARD APPLICATION



PUSHING OPENING



PULLING OPENING

| | |
|----------|-----------|
| B | SCREW |
| C | ART. 2900 |
| D | ART. 2907 |
| E | ART. 2909 |
| F | DOOR |



Milcasa Store

www.milcasastore.com
support@milcasastore.com

(888) MILCASA
(888) 645-2272