



**terno<sup>®</sup> scorrevoli**  
MADE IN ITALY



# Drag

---

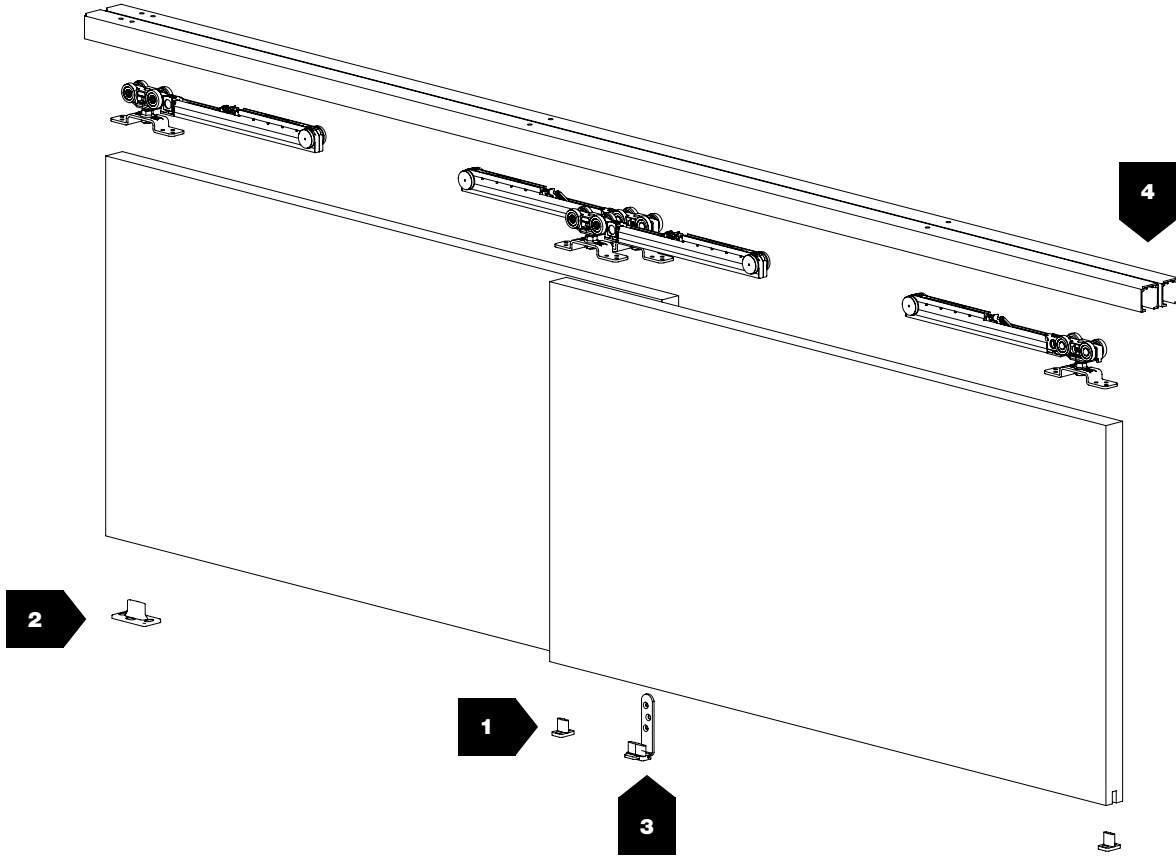
Mechanisms for wooden drag doors  
Meccanismi per porte in legno a trascinamento

# Drag

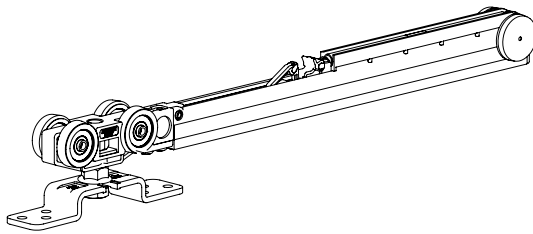
**Drag** is the mechanisms system for wooden drag doors.

**Drag** è il sistema di meccanismi per porte in legno a trascinamento.





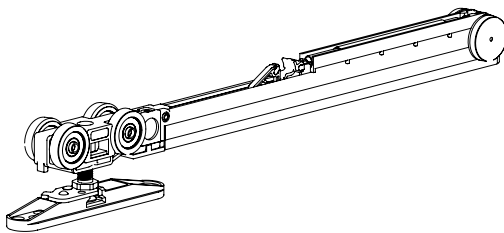
**DRAG SYSTEM COMPATIBLE WITH / SISTEMA TRASCINAMENTO COMPATIBILE CON:**



**CLASSIC**  
STANDARD BRACKET  
STAFFA NORMALE



**NEW**



**STEP**  
FRONTAL AUTOMATIC CLAMP  
STAFFA AUTOMATICA FRONTALE



**NEW**



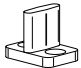
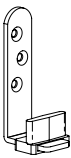

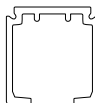

Min 25 mm - Max 50 mm



80 kg

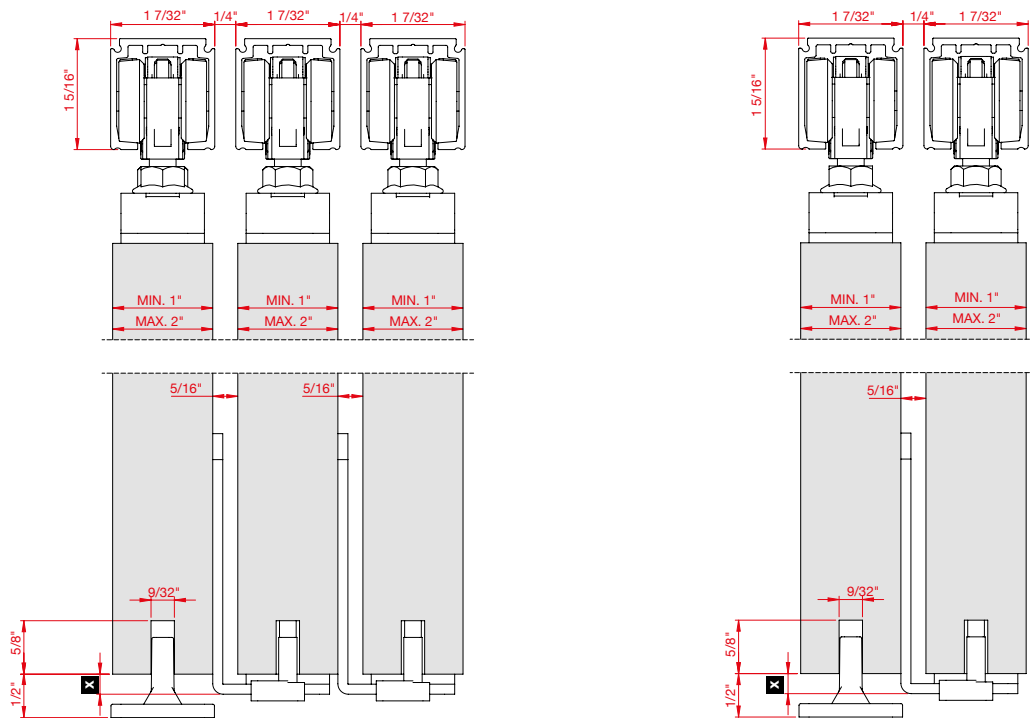


10 mm

N°	Barcode		Weight		N°	Barcode		Weight	
1	1032 S.1032		176 lbs.		3	71 S.71/G		176 lbs.	
2	65 S.65		176 lbs.		4	1280 8 00 0.01280 8 01 0.01280		-	
						1080 8 00 0.01080 8 01 0.01080		-	

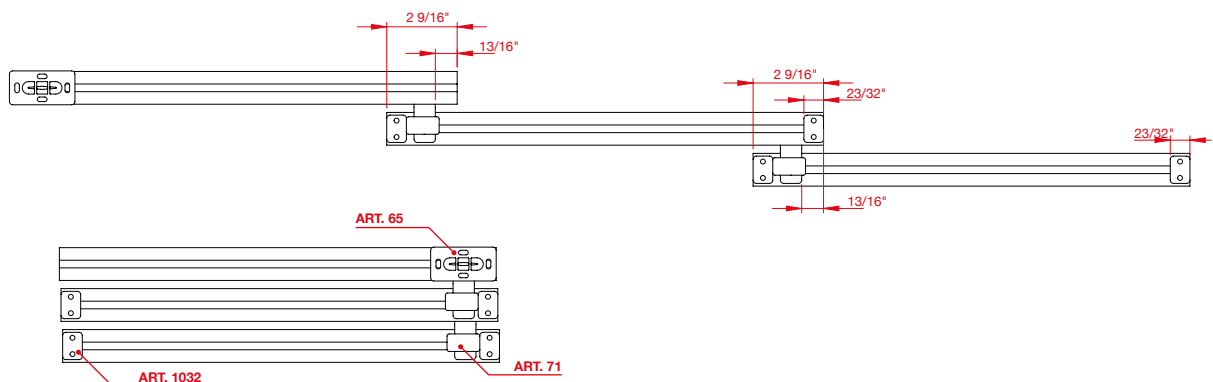
Tracks / Binari		ALUMINUM FINISHES CODES / CODICI FINITURE ALLUMINIO		
CODE / CODICE		FINISH COLOR / COLORE FINITURA		
8 00 0.0 .....	 00 G	Raw - Mill Finish / Neutro - Grezzo	STANDARD	
8 01 0.0 .....	 01 A	Anodized Silver / Argento		

**ADJUSTABLE ACCESSORIES FOR DRAGGING OF SLIDING DOORS**  
**ACCESSORI REGOLABILI PER TRASCINAMENTO PORTE SCORREVOLI**



DOOR THICKNESS / SPESSORE PORTA	TRACKS DISTANCE / DISTANZA BINARIO ( X )
1"	1/16"
1 3/16"	1/4"
1 3/8"	15/32"
1 19/32"	21/32"
1 25/32"	27/32"
2"	1 1/16"

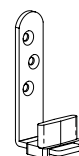
**EXAMPLE WITH N°2 LEAVES (FOR EVERY EXTRA LEAF, ADD N°2 ART. 1032 AND N°1 ART. 71)**  
**ESEMPIO CON N°2 ANTE, (PER OGNI ANTA IN PIÙ AGGIUNGERE N°2 ART. 1032 E N°1 ART. 71)**



Stopper  
Fermo  
**ART. 1032**



Bottom guide  
Guida inferiore  
**ART. 65**



Adjustable bottom guide  
Guida inferiore regolabile  
**ART. 71**



## **Milcasa Store**

2211 2nd Ave North  
Suite A105  
Lake Worth, FL 33461

[support@milcasastore.com](mailto:support@milcasastore.com)

(888) MILCASA (645-2272) | (347) 782-3353 (Text Msg)