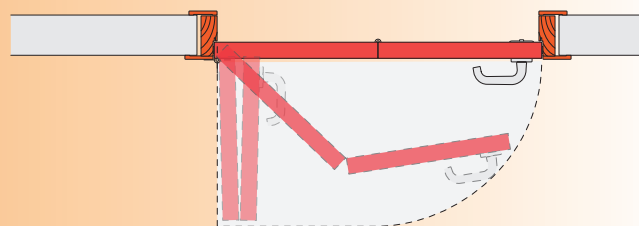
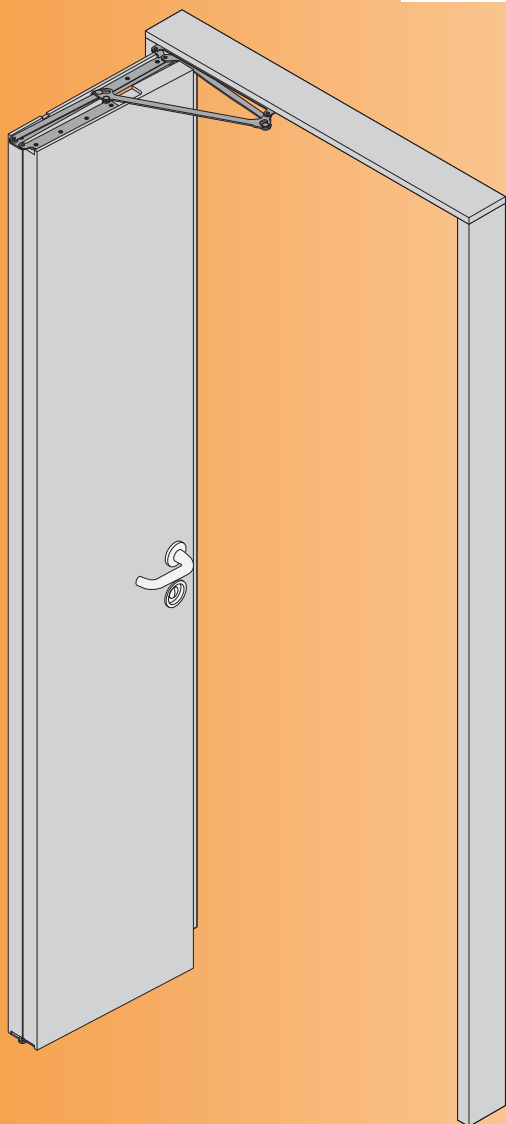


COMPACK 
LIVING



TECHNICAL CONSTRUCTION MANUAL
COMPACK LIVING 90° system

CONTENTS

1. INTRODUCTION	3
2. COMPATIBILITY OF THE COMPACK LIVING SYSTEM	4
3. VARIANTS OF USE	5
3.1 Hardware	6
3.2 Vertical section	7
3.3 Horizontal section left door	8
3.4 Dimensional diagram of the door - symmetric leaves	9
3.5 Dimensional diagram of the door - asymmetric leaves	10
4. DIMENSIONAL SUMMARIES	12
4.1 Single opening door	12
4.2 Dimensional diagram of the double opening door	13
4.3 COMPACK LIVING 180° - 90° combination possibilities on double doors	14
4.4 Double opening door	15
5. COMPONENTS	16
5.1 Wood components compatible with COMPACK LIVING 180°	16
5.2 Door leaf hinge side (compatible with COMPACK LIVING 180°)	17
5.3 Door leaf handle side (compatible with COMPACK LIVING 180°)	18
5.4 Workings for accessories (compatible with COMPACK LIVING 180°)	19
5.5 Door hardware mounting hole diagrams (compatible with COMPACK LIVING 180°)	20
5.6 Hinge side door jamb (compatible with COMPACK LIVING 180°)	21
5.7 Handle side door jamb (compatible with COMPACK LIVING 180°)	22
5.8 Upper crossbeam (compatible with COMPACK LIVING 180°)	23
6. ASSEMBLY	24
6.1 Assembling the hardware on the leaf	24
6.2 Assembling the hardware on the jamb	25
6.3 Installation door leaf on the jambs	26
7. SPECIAL COMPACK LIVING MAGNETIC LATCH	27
7.1 Examples for using the special COMPACK LIVING lock	28

1. INTRODUCTION

The **COMPACT LIVING 90°** system is part of the new generation hardware for folding hinged doors that do not use a track or hanger, similar to the tried and proven **COMPACT LIVING 180°** hardware (flush opening folding doors). The two **COMPACT LIVING** systems both use panels and doorframes that are identical in terms of dimensions and design.

The 90° opening is obtained by using an innovative hinge that allows the door leaf to: move silently, use a traditional lever handle, close against stops on three sides. These functional characteristics represent a clear innovation with respect to traditional systems. The **COMPACT LIVING 90°** hinge can be used for closet doors or other furnishing applications.

The **COMPACT LIVING** systems are designed for extreme simplicity and speed of installation.

There are no height or width constraints for the **COMPACT LIVING** systems. The combined weight limit for the two leaves is 50 kg.

COMPACT LIVING 90° uses the special **COMPACT** magnetic latch with a lever handle on one side and a recessed handle on the other. With the **COMPACT** latch the recessed handle can be used to operate the latch. This system provides 180° rotation (see *Section 7. SPECIAL COMPACT MAGNETIC LATCH*).

The **COMPACT LIVING** systems provide stable, silent and ergonomic door operation. Stop on three sides ensures excellent acoustic insulation when the door is closed. These systems leave maximum technical and aesthetic freedom in designing the door. Doors can be constructed in various versions to respond to the countless customer needs and to fit oversized dimensions.

The **COMPACT LIVING** systems are composed of steel plates and arms connected together by steel pins and plastic O-rings.

The door leaves are prepared in the same way for 90° or 180° opening. The same stock of semi-finished materials (doors leaves) and same preparatory work (milling, drilling) allow installation either of the COMPACT LIVING 90° hinge for a door opening to 90° or the COMPACT LIVING 180° hinge for a door opening to 180°.

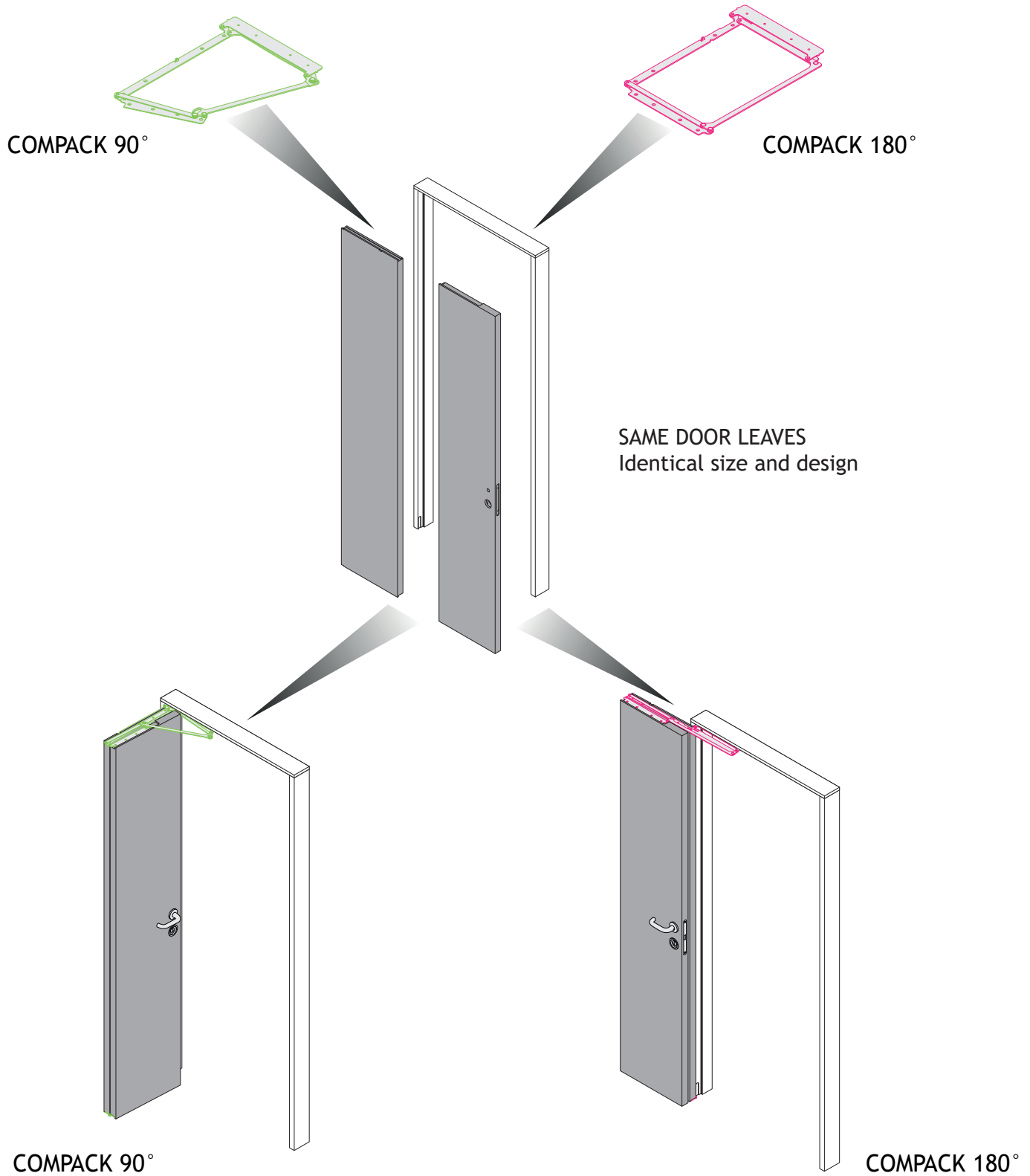


The hardware is cleaned using a soft cloth being careful not to move the door during the cleaning process to prevent injury.

Never put your hands in among the moving arms when installing or operating the door.

Give the information sheets including in the package to the final user.

2. COMPATIBILITY OF THE COMPACK LIVING SYSTEM



3. VARIANTS OF USE

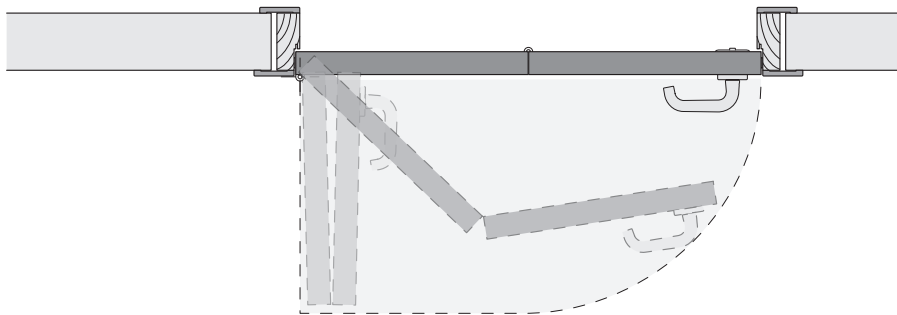
To get the most out of the variants illustrated on this page, see the specifications for using the COMPACK latch (see Section 7. SPECIAL COMPACK LIVING MAGNETIC LATCH).

- **Version 1**

- With symmetric door leaves

By using the handle only on one side and the recessed handle on the other, is necessary to apply the magnetic lock **COMPACK**.

Version possible with all available items RIGHT/LEFT.

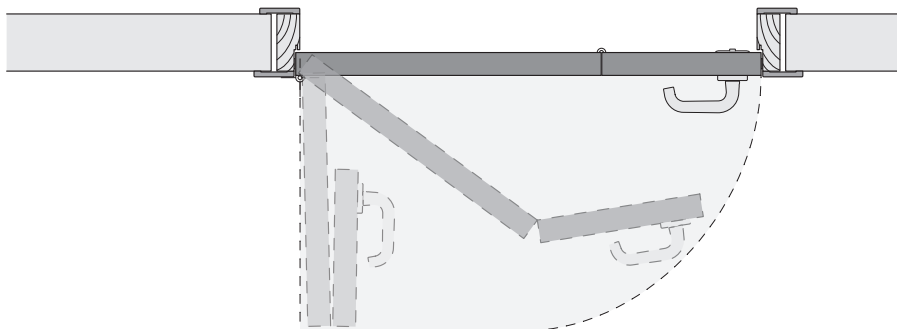


- **Version 2**

- With asymmetric door leaves with handle leaf from -100 to 0 lower

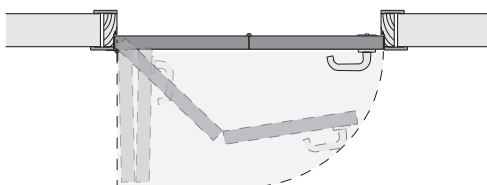
By using the handle only on one side and the recessed handle on the other, is necessary to apply the magnetic lock **COMPACK**.

Version possible with all available items RIGHT/LEFT.

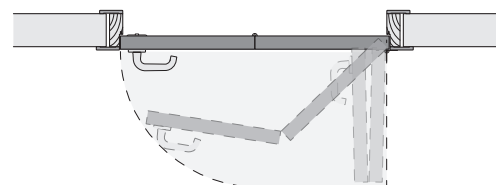


WAY OF OPENING

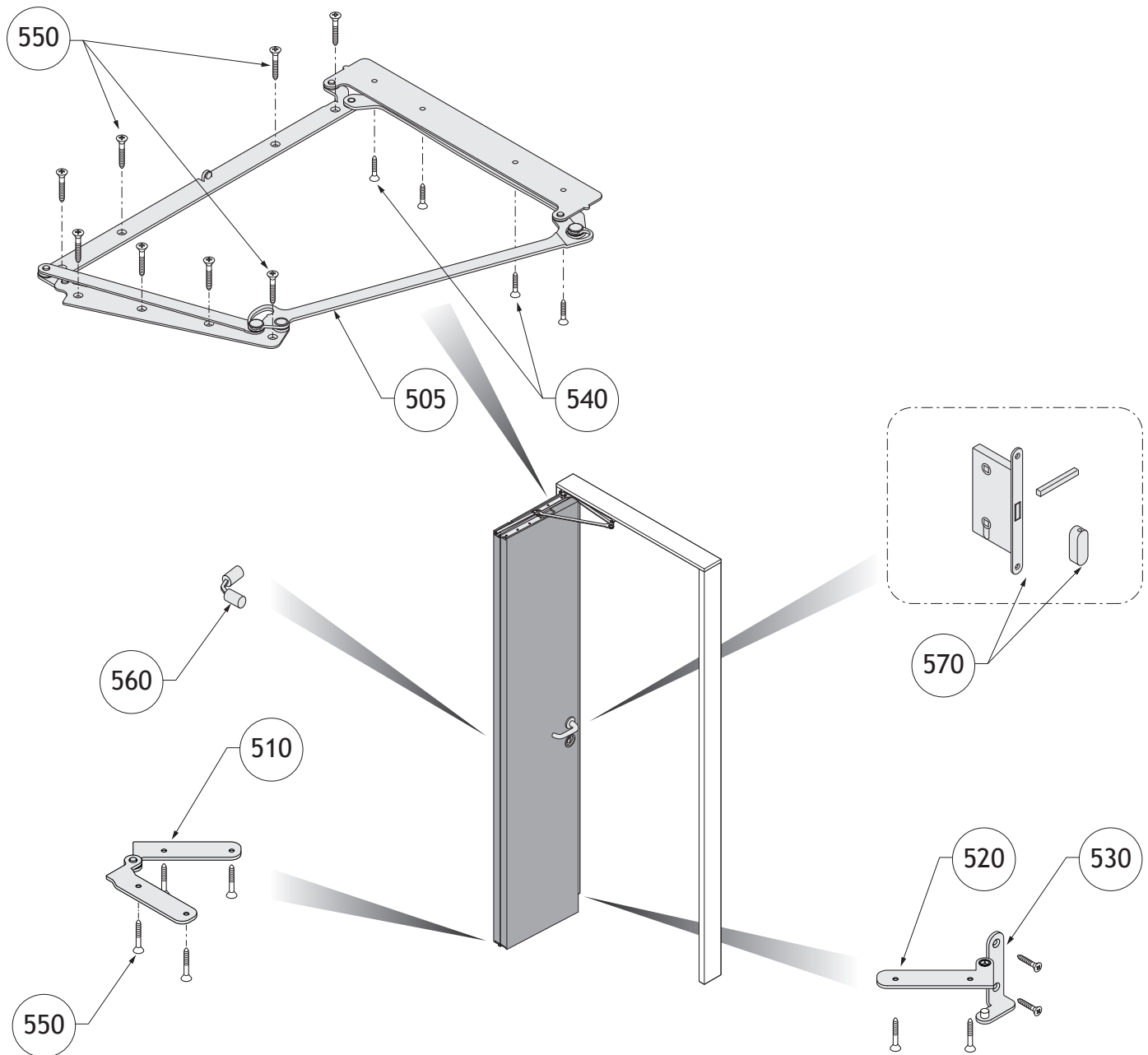
1 - Left opening



2 - Right opening

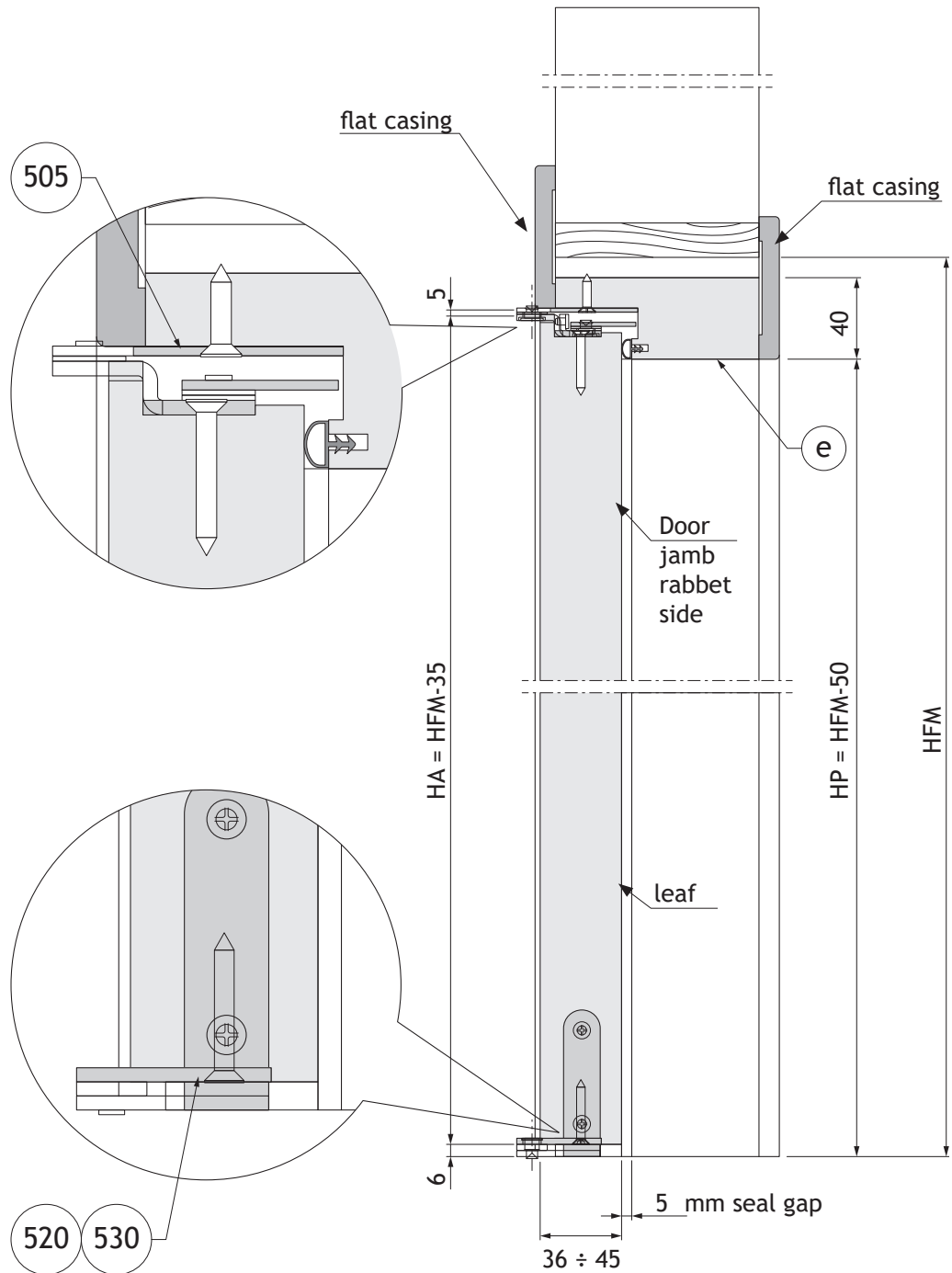


3.1 Hardware



Part list		
Ref.	Q.ty	Description
505	1	Compack Living system RH or LH
510	1	Central hinge lower
520	1	Lateral hinge lower for leaf RH or LH
530	1	Lateral hinge lower for jamb RH or LH
540	4	Screw TSP trx \varnothing 4x20
550	16	Screw TSP trx \varnothing 4x30
560	1	Invisible hinge for alignment leaves
570	1	Magnetic lock Compack Living with strikers and special square spindle

3.2 Vertical section

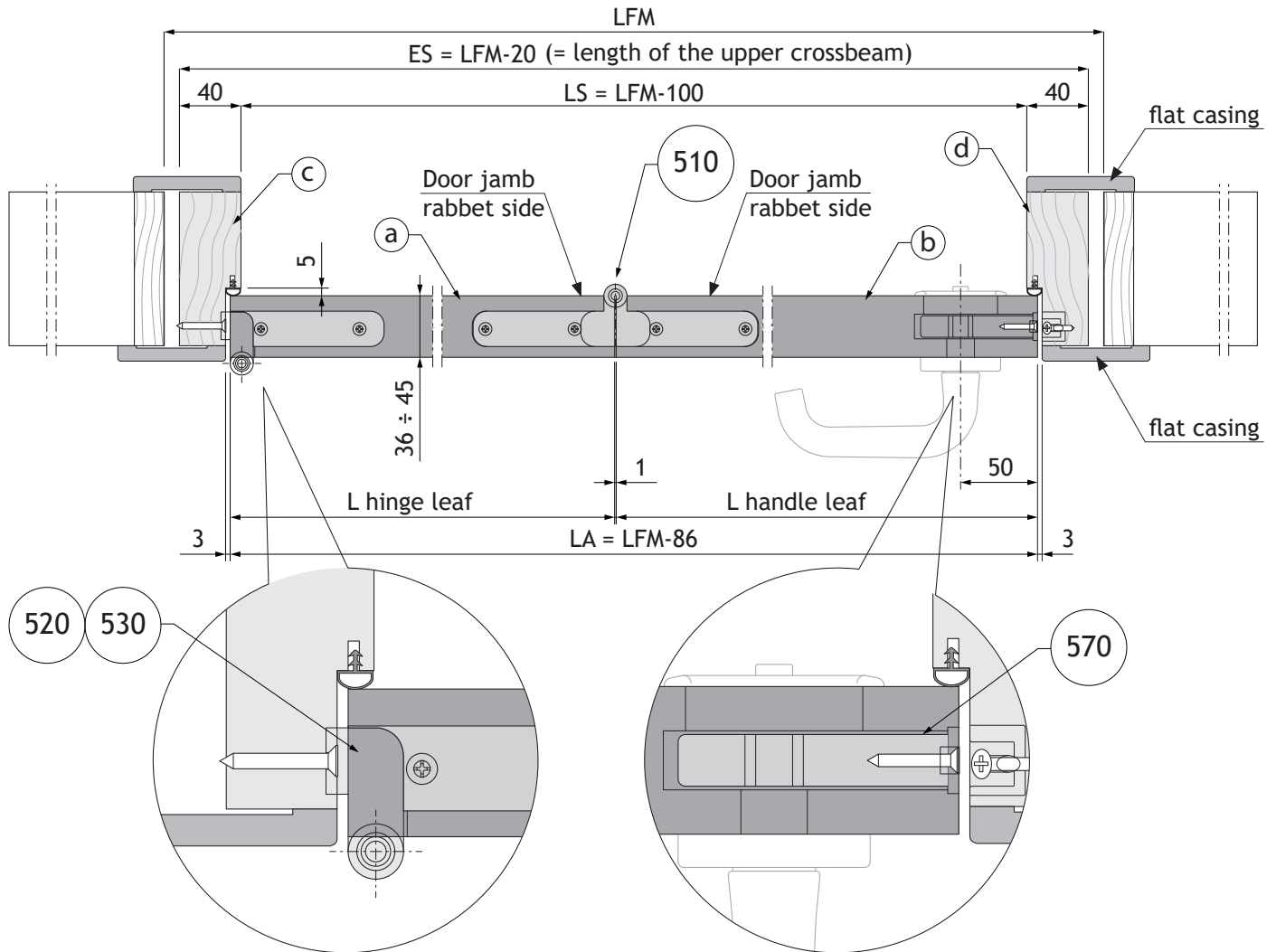


HFM = Wall Hole Height
HP = Passage Dimension
HA = Leaf Height

Part list		
Ref.	Q.ty	Description
505	1	Compack Living system 90 RH or LH
520	1	Lateral hinge lower for leaf RH or LH
530	1	Lateral hinge lower for jamb RH or LH
e	1	Upper crossbeam

3.3 Horizontal section left door

Example of Left Door (*Right door is symmetric*)



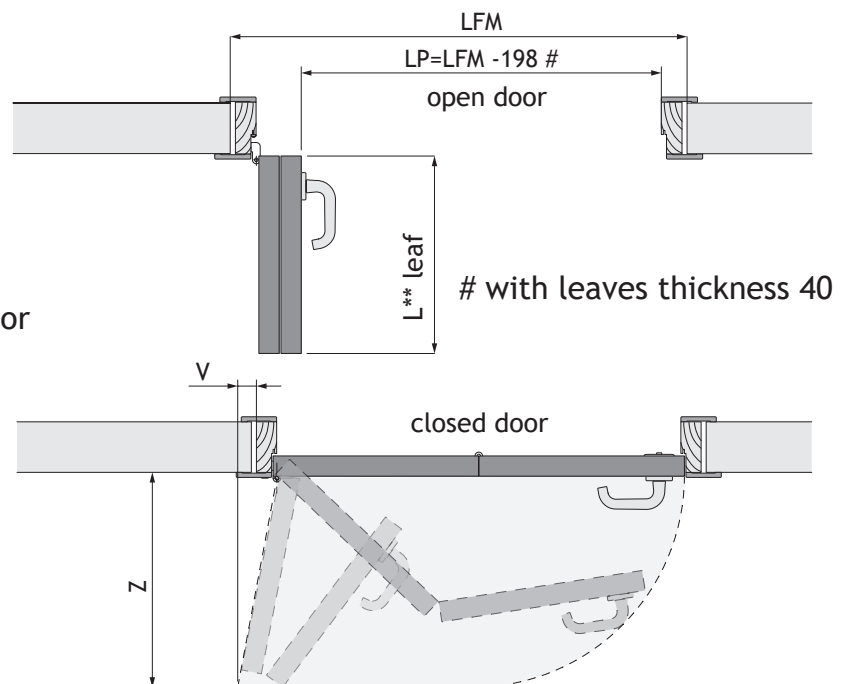
- LFM = Wall Hole Width
- ES = Outer Jamb
- LS = Door Jamb Opening
- LA = Leaf Width

Part list		
Ref.	Q.ty	Description
510	1	Central hinge lower
520	1	Lateral hinge lower for leaf RH or LH
530	1	Lateral hinge lower for jamb RH or LH
570	1	Magnetic lock Compack Living with strikers and special square spindle
a	1	Hinge leaf
b	1	Handle leaf
c	1	Hinge side door jamb
d	1	Handle side door jamb

3.4 Dimensional diagram of the door - symmetric leaves

Version 1 - symmetric leaves							
LFM	LP	L** hinge leaf	L** handle leaf	Z	V	art. COMPACK	
						BLACK finish	INOX finish
700	502	306,5	306,5	347	15	902F60DX 902F60SX	922F60DX 922F60SX
800	602	356,5	356,5	397	0	902F70DX 902F70SX	922F70DX 922F70SX
900	702	406,5	406,5	447	20	902A80DX 902A80SX	922A80DX 922A80SX
1000	802	456,5	456,5	497	110	902B90DX 902B90SX	922B90DX 922B90SX
1100	902	506,5	506,5	547	80	902B100DX 902B100SX	922B100DX 922B100SX

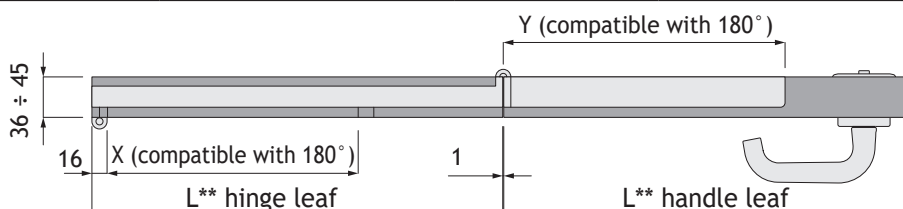
- LFM** = Wall Hole Width
LP = Passage Dimension
Z = Encumbrance in opening
V = Maximum lateral space requirement when opening door



Example of Left Door
(Right door is symmetric)

Upper hardware seat diagram (see chapter 4. DIMENSIONAL SUMMARIES)

Version 1 - symmetric leaves					
art. COMPACK		L** hinge leaf	dimension X	L** handle leaf	dimension Y
BLACK finish	INOX finish				
902F60DX 902F60SX	922F60DX 922F60SX	306,5	208	306,5	234
902F70DX 902F70SX	922F70DX 922F70SX	356,5	208	356,5	234
902A80DX 902A80SX	922A80DX 922A80SX	406,5	258	406,5	284
902B90DX 902B90SX	922B90DX 922B90SX	456,5	358	456,5	384
902B100DX 902B100SX	922B100DX 922B100SX	506,5	358	506,5	384

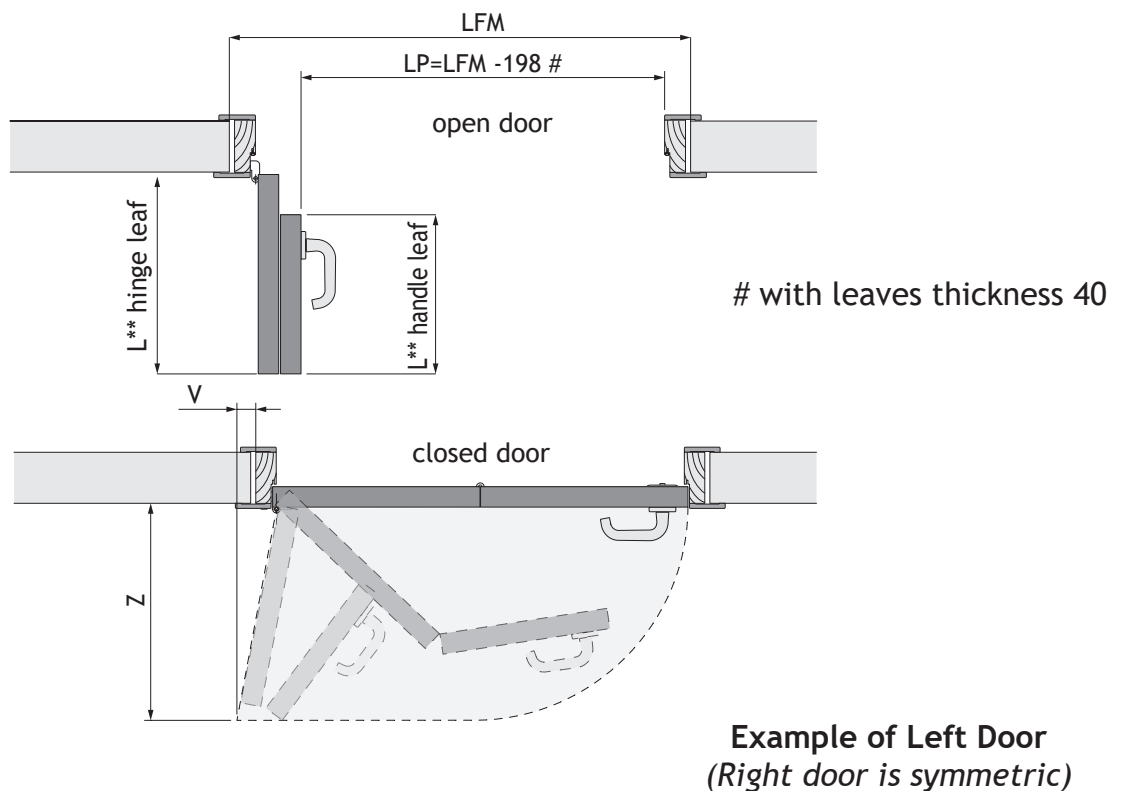


(**) Hinge leaf and handle leaf widths are calculated with a reciprocal distance of 1 mm.

3.5 Dimensional diagram of the door - asymmetric leaves

Handle leaf from -100 to 0 lower

Version 2 - asymmetric leaves (handle leaf from -100 to 0 lower)							
LFM	LP	L** hinge leaf	L** handle leaf	Z	V	art. COMPACK	
						BLACK finish	INOX finish
600 ÷ 700	402 ÷ 502	306,5	206,5 ÷ 306,5	347	15	902F60DX 902F60SX	922F60DX 922F60SX
700 ÷ 800	502 ÷ 602	356,5	256,5 ÷ 356,5	397	0	902F70DX 902F70SX	922F70DX 922F70SX
800 ÷ 900	602 ÷ 702	406,5	306,5 ÷ 406,5	447	20	902A80DX 902A80SX	922A80DX 922A80SX
900 ÷ 1000	702 ÷ 802	456,5	356,5 ÷ 456,5	497	110	902B90DX 902B90SX	922B90DX 922B90SX
1000 ÷ 1100	802 ÷ 902	506,5	406,5 ÷ 506,5	547	80	902B100DX 902B100SX	922B100DX 922B100SX

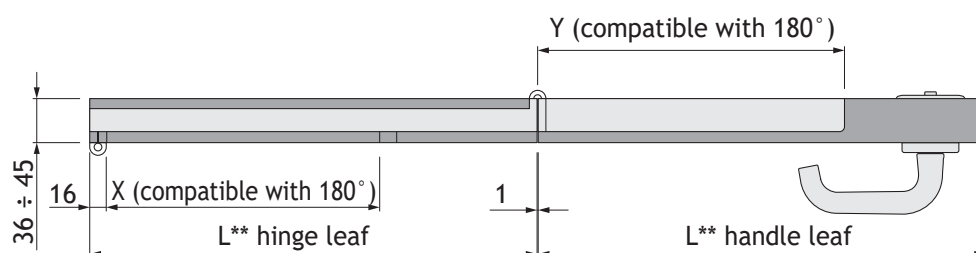
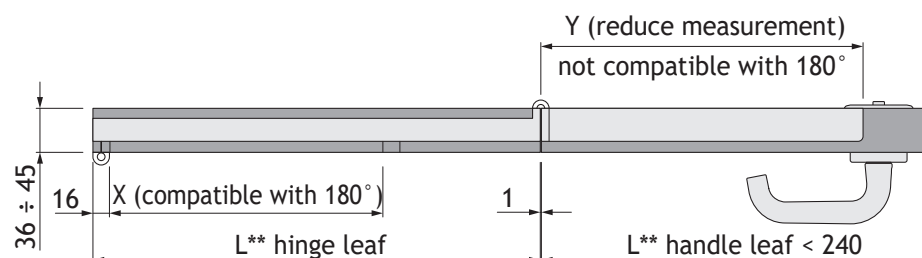
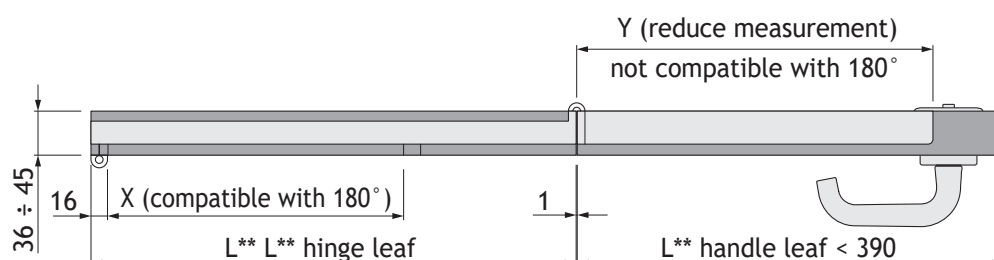


- LFM** = Wall Hole Width
- LP** = Passage Dimension
- Z** = Encumbrance in opening
- V** = Maximum lateral space requirement when opening door

Upper hardware seat diagram (see chapter 4. DIMENSIONAL SUMMARIES)

Version 2 - asymmetric leaves (handle leaf from -100 to 0 lower)					
art. COMPACK		L** hinge leaf	dimension X	L** handle leaf	dimension Y
BLACK finish	INOX finish				
902F60DX 902F60SX	922F60DX 922F60SX	306,5	208	⁽¹⁾ 206,5 ÷ 306,5	⁽²⁾ 234
(*) WARNING: if the handle leaf ⁽¹⁾ is less than 240 mm wide, Y ⁽²⁾ must also be reduced (A)					
902F70DX 902F70SX	922F70DX 922F70SX	356,5	208	256,5 ÷ 356,5	234
902A80DX 902A80SX	922A80DX 922A80SX	406,5	258	306,5 ÷ 406,5	284
902B90DX 902B90SX	922B90DX 922B90SX	456,5	358	⁽¹⁾ 356,5 ÷ 456,5	⁽²⁾ 384
(*) WARNING: if the handle leaf ⁽¹⁾ is less than 390 mm wide, Y ⁽²⁾ must also be reduced (B)					
902B100DX 902B100SX	922B100DX 922B100SX	506,5	358	406,5 ÷ 506,5	384

(*) (A) and (B): Cases of incompatibility with COMPACK LIVING 180°.


 (A): if the handle leaf⁽¹⁾ is less than 240 mm wide, Y⁽²⁾ must also be reduced.

 (B): if the handle leaf⁽¹⁾ is less than 390 mm wide, Y⁽²⁾ must also be reduced.


(**) Hinge leaf and handle leaf widths are calculated with a reciprocal distance of 1 mm.

4. DIMENSIONAL SUMMARIES

4.1 Single opening door

The following form is a summary all of possible realizable dimensions with the measurements. The **COMPACK LIVING 90°** system foresees a minimum wall opening (**LFM**) of 700 mm with symmetric leaves and of 650 mm with asymmetric leaves.

The maximum wall opening (**LFM**) with symmetric and asymmetric leaves is 1100 mm.

For intermediate measurements the handle leaf (version with asymmetrical door leaves) can be shortened.

Summary dimensions for single opening door with symmetric leaves										
Wall Hole Width LFM	Handle Leaf Difference	Passage Dimension LP	Fix Dimension L** hinge leaf	Working dimension x	Fix Dimension L** handle leaf	Working dimension y	Encumbrance in opening Z	Encumbrance movement V	art. COMPACK	
									BLACK finish	INOX finish
700	symmetric 0	502	306,5	208	306,5	234	347	15	902F60DX 902F60SX	922F60DX 922F60SX
800	symmetric 0	602	356,5	208	356,5	234	397	0	902F70DX 902F70SX	922F70DX 922F70SX
900	symmetric 0	702	406,5	258	406,5	284	447	20	902A80DX 902A80SX	922A80DX 922A80SX
1000	symmetric 0	802	456,5	358	456,5	384	497	110	902B90DX 902B90SX	922B90DX 922B90SX
1100	symmetric 0	902	506,5	358	506,5	384	547	80	902B100DX 902B100SX	922B100DX 922B100SX

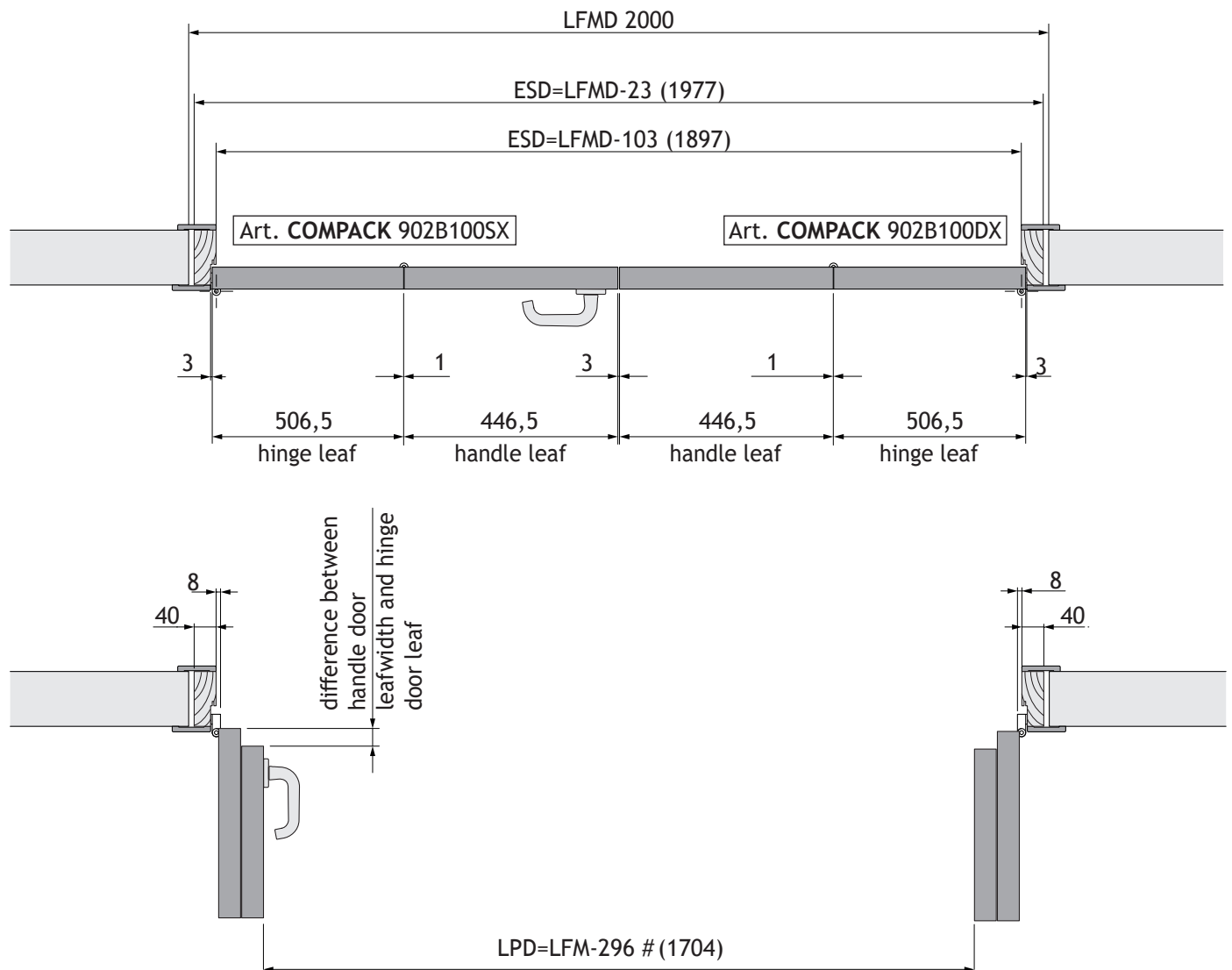
Summary dimensions for single opening door with asymmetric leaves										
Wall Hole Width LFM	Handle Leaf Difference	Passage Dimension LP	Fix Dimension L** hinge leaf	Working dimension x	Variable Dimension L** handle leaf	Working dimension y	Encumbrance in opening Z	Encumbrance movement V	art. COMPACK	
									BLACK finish	INOX finish
600÷700	asymmetric from -100 to 0	402÷502	306,5	208	⁽¹⁾ 206,5÷306,5	⁽²⁾ 234	347	15	902F60DX 902F60SX	922F60DX 922F60SX
(*) WARNING: if the handle leaf ⁽¹⁾ is less than 240 mm wide, Y ⁽²⁾ must also be reduced										
700÷800	asymmetric from -100 to 0	502÷602	356,5	208	256,6÷356,5	234	397	0	902F70DX 902F70SX	922F70DX 922F70SX
800÷900	asymmetric from -100 to 0	602÷702	406,5	258	306,5÷406,5	284	447	20	902A80DX 902A80SX	922A80DX 922A80SX
900÷1000	asymmetric from -100 to 0	702÷802	456,5	358	⁽¹⁾ 356,5÷456,5	⁽²⁾ 384	497	110	902B90DX 902B90SX	922B90DX 922B90SX
(*) WARNING: if the handle leaf ⁽¹⁾ is less than 390 mm wide, Y ⁽²⁾ must also be reduced										
1000÷1100	asymmetric from -100 to 0	802÷902	506,5	358	406,5÷506,5	384	547	80	902B100DX 902B100SX	922B100DX 922B100SX

(*) Cases of incompatibility with **COMPACK LIVING 180°**.

4.2 Dimensional diagram of the double opening door

Dimensional example

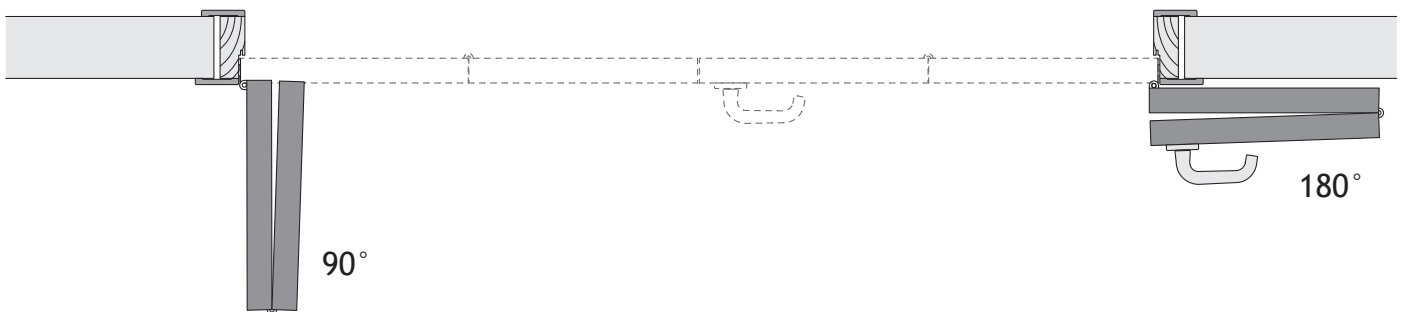
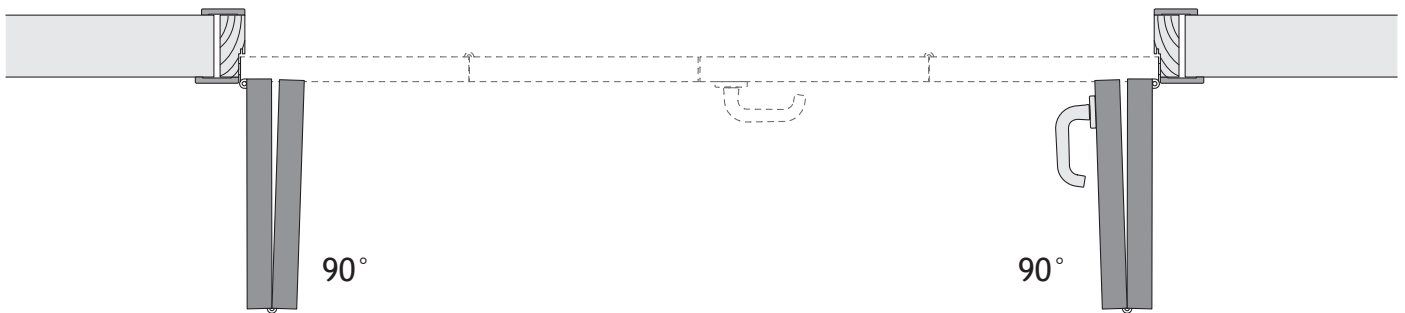
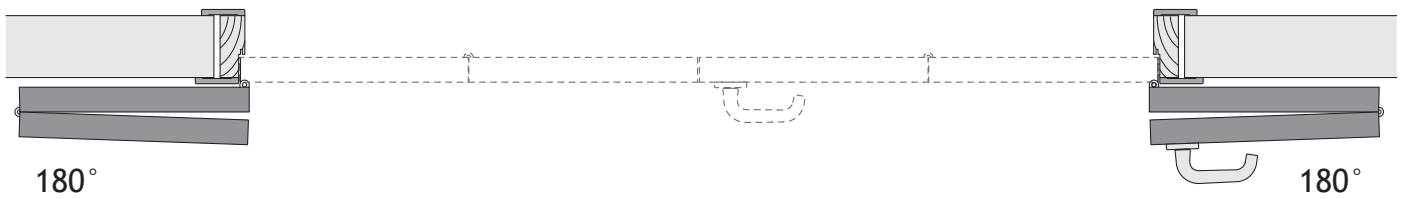
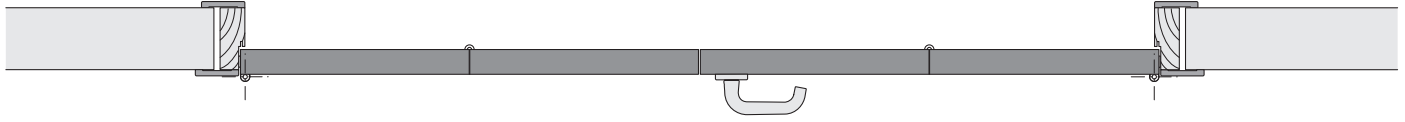
Attention: you need to use two hardwares COMPACK LIVING, one right and one left.



with leaves thickness 40

- LFMD = Double Wall Opening Width
- ESD = External Jamb Double (LFMD-23)
- LSD = Light Jamb Double (LFMD-103)
- LPD = Width Passage Double Door Leaf (LFM -296 #)

4.3 COMPACK LIVING 180° - 90° combination possibilities on double doors



- Possible combinations using the same components in wood

4.4 Double opening door

The following form is a summary all of possible realizable dimensions with the measurements. The **COMPACK LIVING 90°** system foresee a minimum wall opening (**LFM**) of 1320 mm with symmetric leaves and of 1120 mm with asymmetric leaves.

The maximum wall opening (**LFM**) with symmetric and asymmetric leaves is 2120 mm.

For intermediate measurements the handle leaf (version with asymmetrical door leaves) can be shortened.

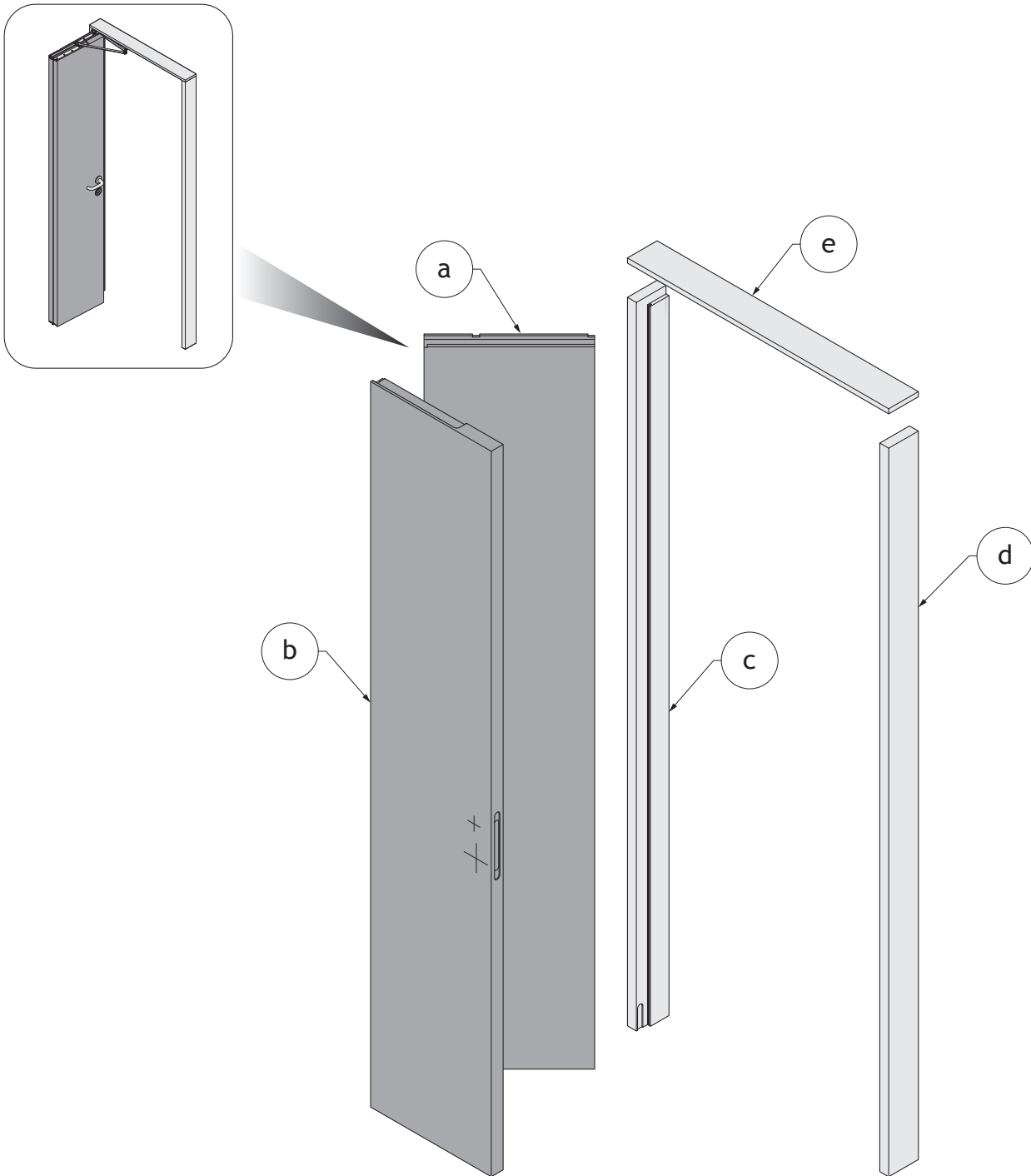
Summary dimensions for double opening door with symmetric leaves										
Wall Hole Width LFM	Handle Leaf Difference	Passage Dimension LP	Fix Dimension L** hinge leaf	Working dimension x	Fix Dimension L** handle leaf	Working dimension y	Encumbrance in opening Z	Encumbrance movement V	art. COMPACK	
									BLACK finish	INOX finish
1320	symmetric 0	1024	306,5	208	306,5	234	347	15	902F60DX 902F60SX	922F60DX 922F60SX
1520	symmetric 0	1224	356,5	208	356,5	234	397	0	902F70DX 902F70SX	922F70DX 922F70SX
1720	symmetric 0	1424	406,5	258	406,5	284	447	20	902A80DX 902A80SX	922A80DX 922A80SX
1920	symmetric 0	1624	456,5	358	456,5	384	497	110	902B90DX 902B90SX	922B90DX 922B90SX
2120	symmetric 0	1824	506,5	358	506,5	384	547	80	902B100DX 902B100SX	922B100DX 922B100SX

Summary dimensions for double opening door with asymmetric leaves										
Wall Hole Width LFM	Handle Leaf Difference	Passage Dimension LP	Fix Dimension L** hinge leaf	Working dimension x	Variable Dimension L** handle leaf	Working dimension y	Encumbrance in opening Z	Encumbrance movement V	art. COMPACK	
									BLACK finish	INOX finish
1120÷1320	asymmetric from -100 to 0	864÷1024	306,5	208	⁽¹⁾ 206,5÷306,5	⁽²⁾ 234	347	15	902F60DX 902F60SX	922F60DX 922F60SX
(*) WARNING: if the handle leaf ⁽¹⁾ is less than 240 mm wide, Y ⁽²⁾ must also be reduced										
1320÷1520	asymmetric from -100 to 0	1064÷1224	356,5	208	256,6÷356,5	234	397	0	902F70DX 902F70SX	922F70DX 922F70SX
1520÷1720	asymmetric from -100 to 0	1264÷1424	406,5	258	306,5÷406,5	284	447	20	902A80DX 902A80SX	922A80DX 922A80SX
1720÷1920	asymmetric from -100 to 0	1464÷1624	456,5	358	⁽¹⁾ 356,5÷456,5	⁽²⁾ 384	497	110	902B90DX 902B90SX	922B90DX 922B90SX
(*) WARNING: if the handle leaf ⁽¹⁾ is less than 390 mm wide, Y ⁽²⁾ must also be reduced										
1920÷2120	asymmetric from -100 to 0	1664÷1824	506,5	358	406,5÷506,5	384	547	80	902B100DX 902B100SX	922B100DX 922B100SX

(*) Cases of incompatibility with **COMPACK LIVING 180°**.

5. COMPONENTS

5.1 Wood components compatible with COMPACK LIVING 180°

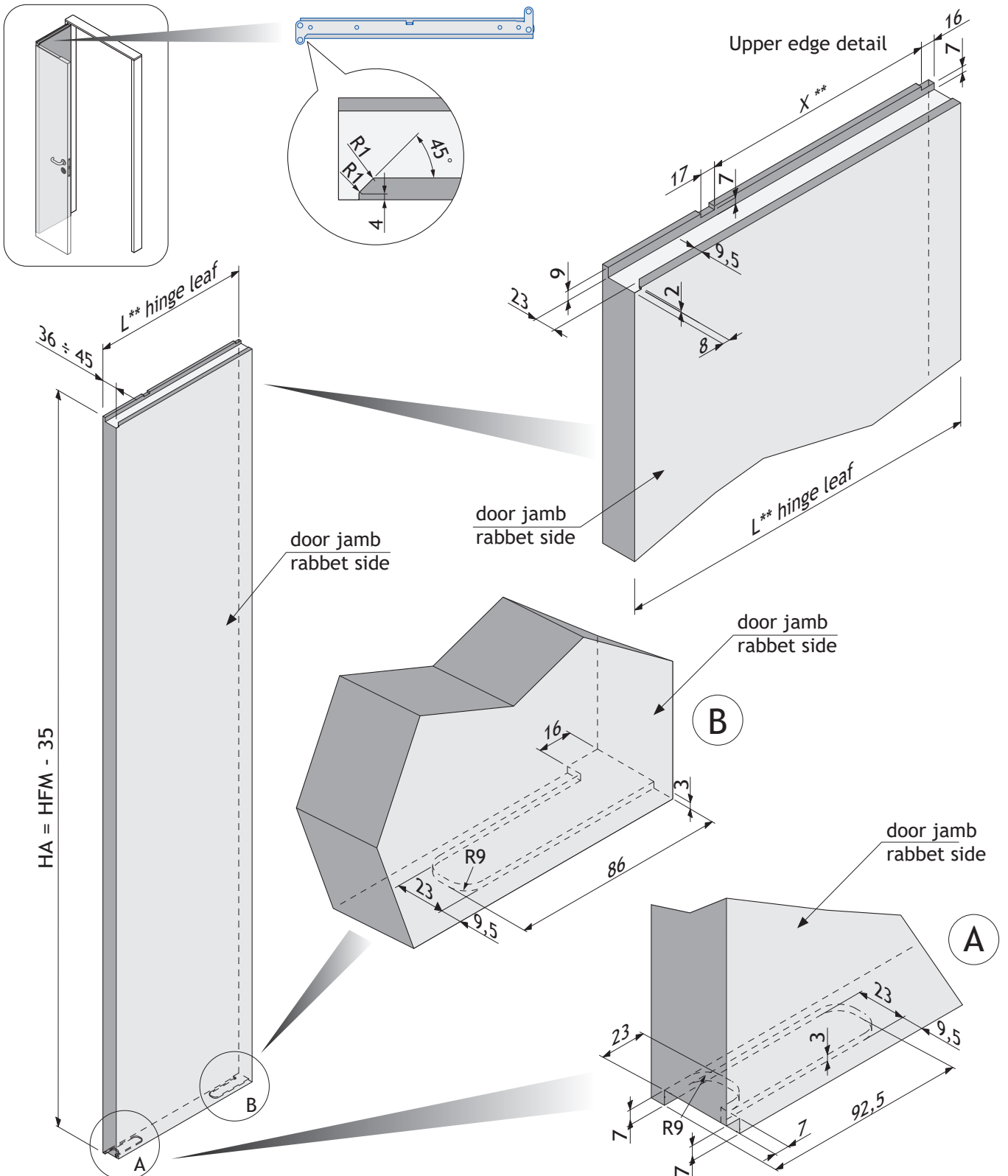


Part list		
Ref.	Q.ty	Description
a	1	Hinge leaf
b	1	Handle leaf
c	1	Hinge side door jamb
d	1	Handle side door jamb
e	1	Upper crossbeam

5.2 Door leaf hinge side (compatible with COMPACK LIVING 180°)

Left leaf door hinge side (Right door is symmetric)

(**) For dimensions see sections 3.4, 3.5



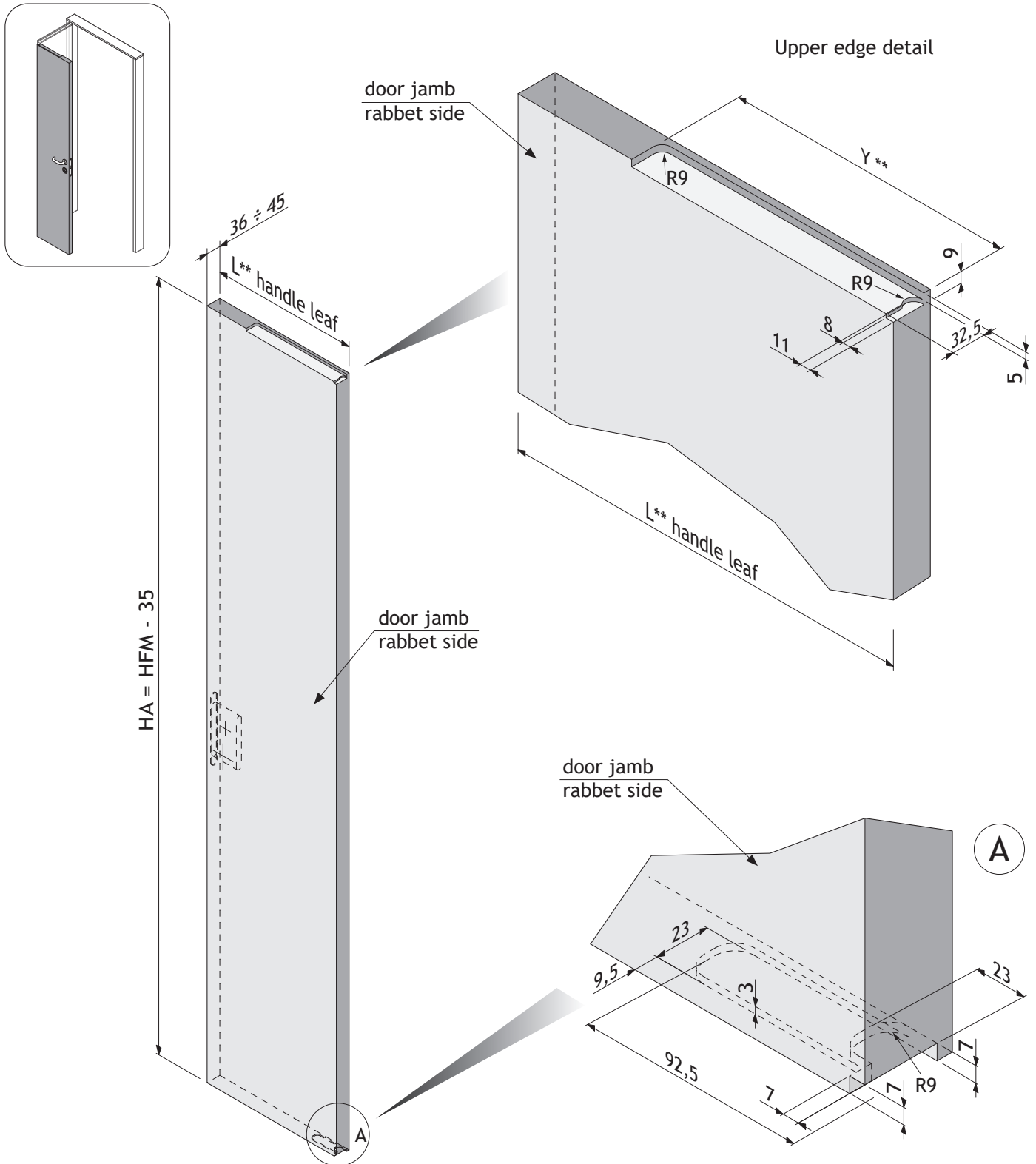
HFM = Wall Hole Height

HA = Leaf Height

5.3 Door leaf handle side (compatible with COMPACK LIVING 180°)

Left leaf door handle side (Right door is symmetric)

(**) For dimensions see sections 3.4, 3.5

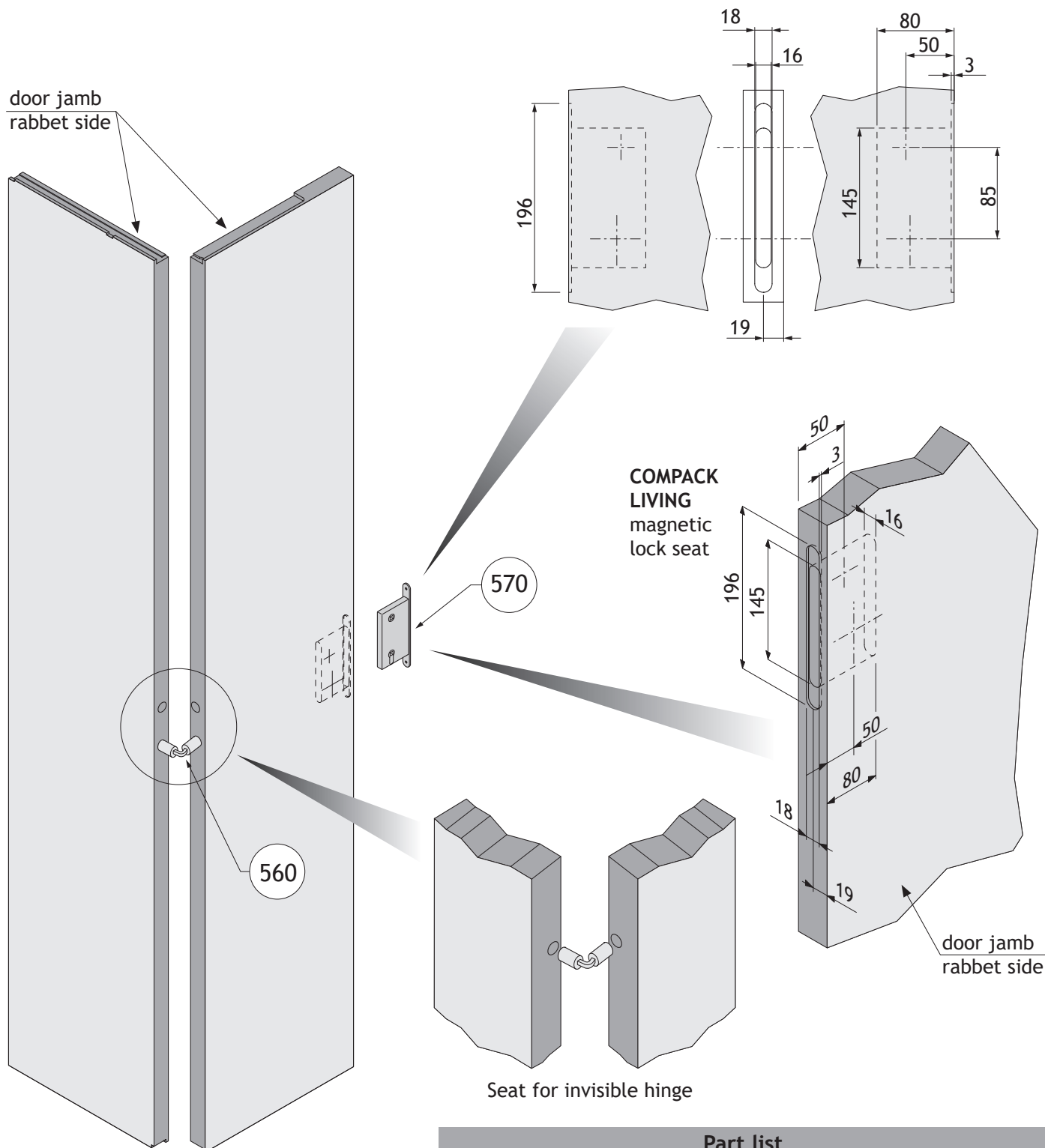


HFM = Wall Hole Height

HA = Leaf Height

5.4 Workings for accessories (compatible with COMPACK LIVING 180°)

The following work is necessary when installing the special COMPACK LIVING magnetic latch.



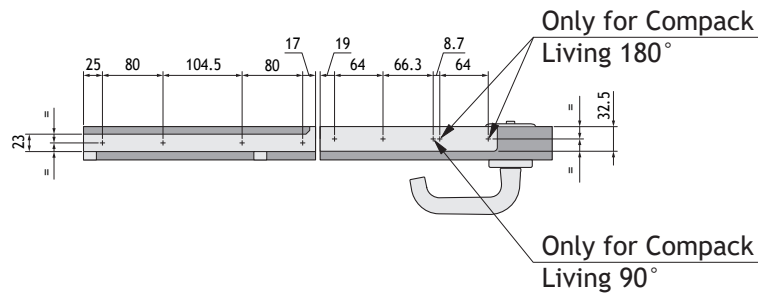
Part list		
Ref.	Q.ty	Description
560	1	Invisible hinge for alignment leaves
570	1	Magnetic lock Compack Living with strikers and special square spindle

5.5 Door hardware mounting hole diagrams (compatible with COMPACK LIVING 180°)

Door hardware mounting holes for both door systems: 90° and 180°

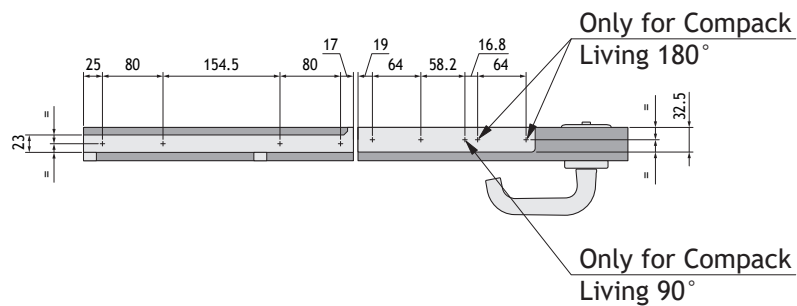
Hardware group F60

BLACK	INOX
802F60SX	822F60SX
802F60DX	822F60DX
902F60SX	922F60SX
902F60DX	922F60DX



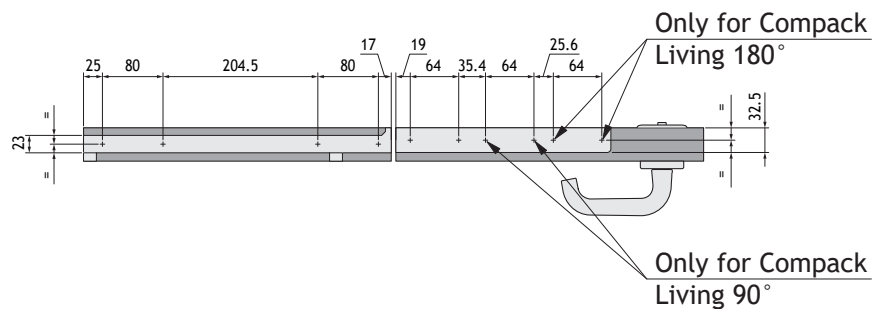
Hardware group F70

BLACK	INOX
802F70SX	822F70SX
802F70DX	822F70DX
902F70SX	922F70SX
902F70DX	922F70DX



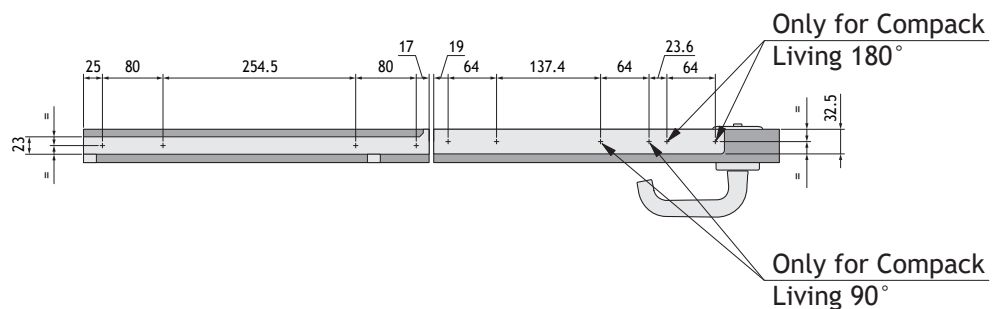
Hardware group A80

BLACK	INOX
802A80SX	822A80SX
802A80DX	822A80DX
902A80SX	922A80SX
902A80DX	922A80DX



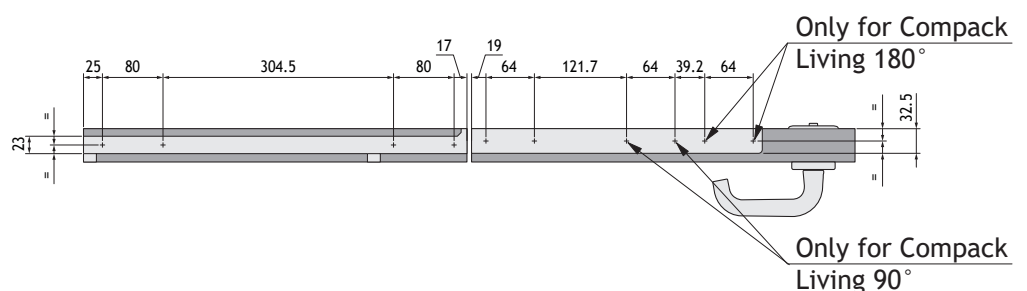
Hardware group B90

BLACK	INOX
802B90SX	822B90SX
802B90DX	822B90DX
902B90SX	922B90SX
902B90DX	922B90DX



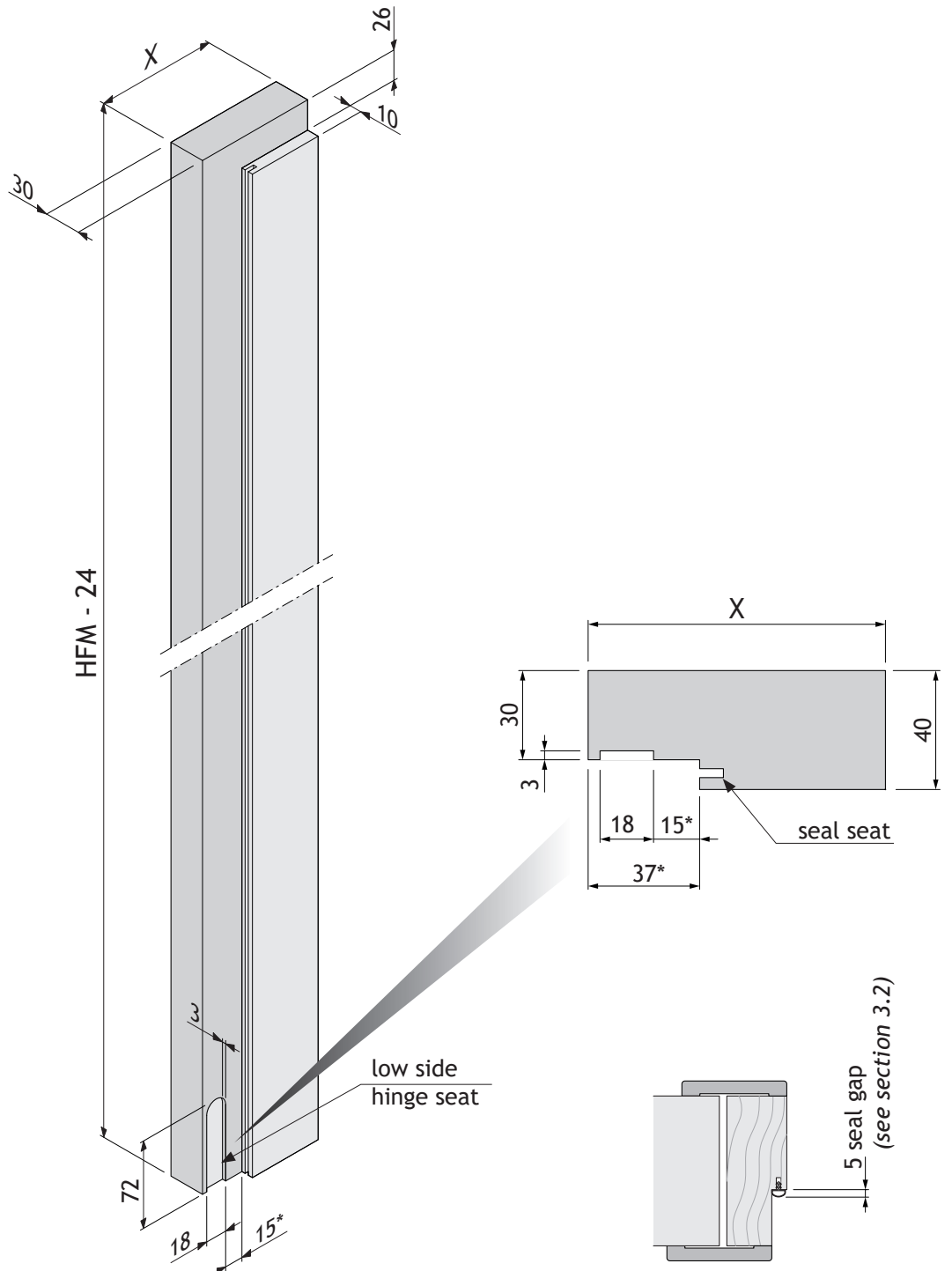
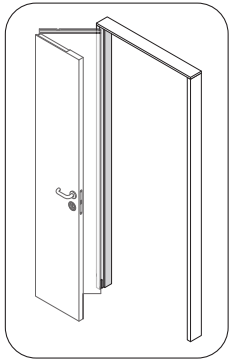
Hardware group B100

BLACK	INOX
802B100SX	822B100SX
802B100DX	822B100DX
902B100SX	922B100SX
902B100DX	922B100DX



5.6 Hinge side door jamb (compatible with COMPACT LIVING 180°)

Door left jamb hinge side (*Right jamb is symmetric*)

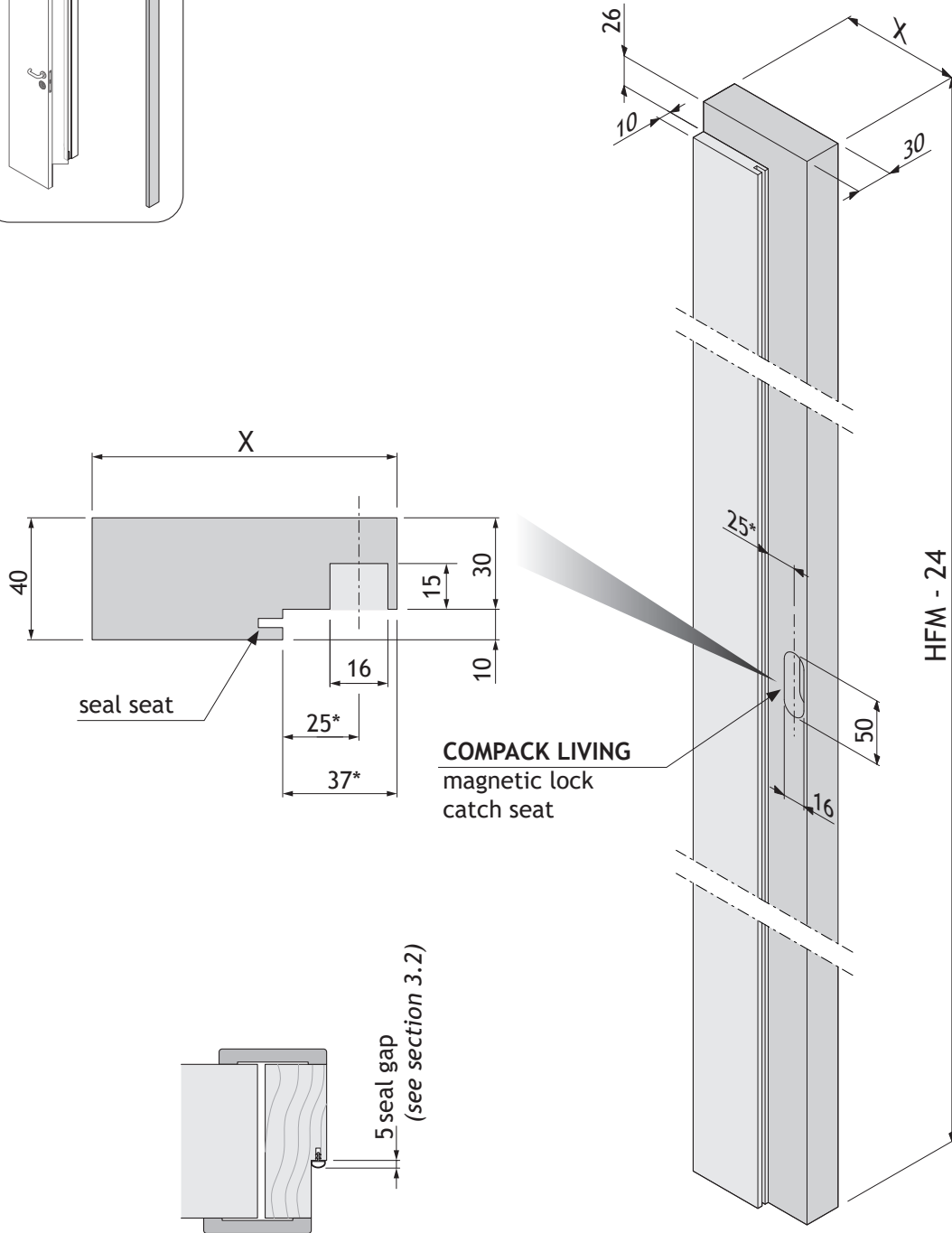
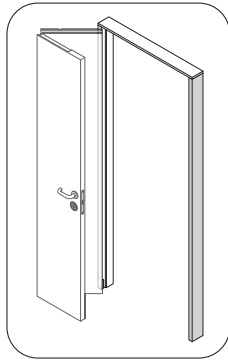


The dimension marked with (*) vary according to the seal gap dimensions

- X** = Wall Thickness
- HFH** = Wall Hole Height

5.7 Handle side door jamb (compatible with COMPACK LIVING 180°)

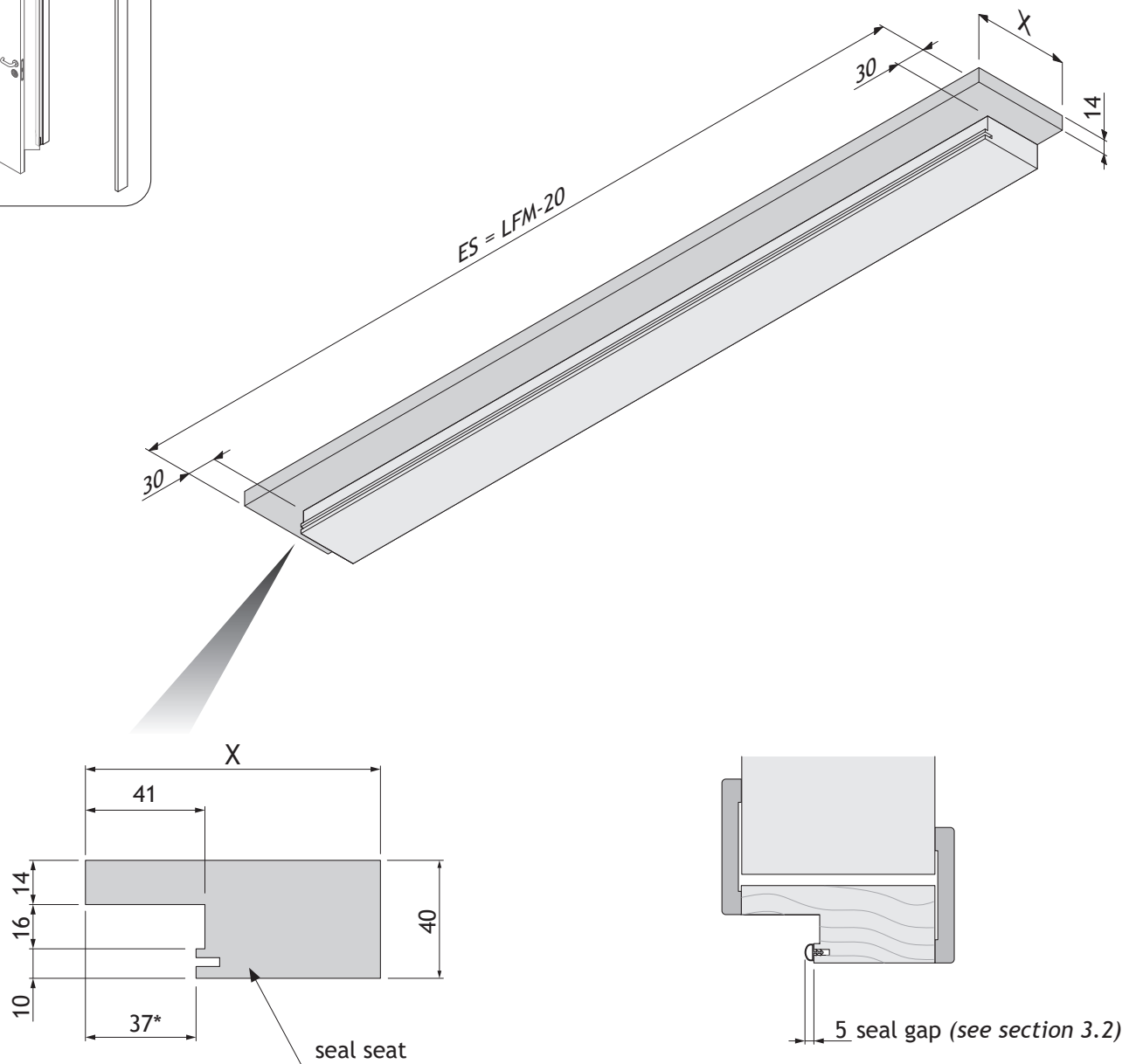
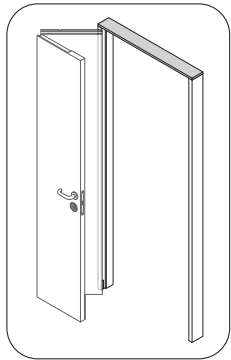
Door left jamb handle side (*Right jamb is symmetric*)



The dimension marked with (*) vary according to the seal gap dimensions.

X = Wall Thickness
HFM = Wall Hole Height

5.8 Upper crossbeam (compatible with COMPACK LIVING 180°)

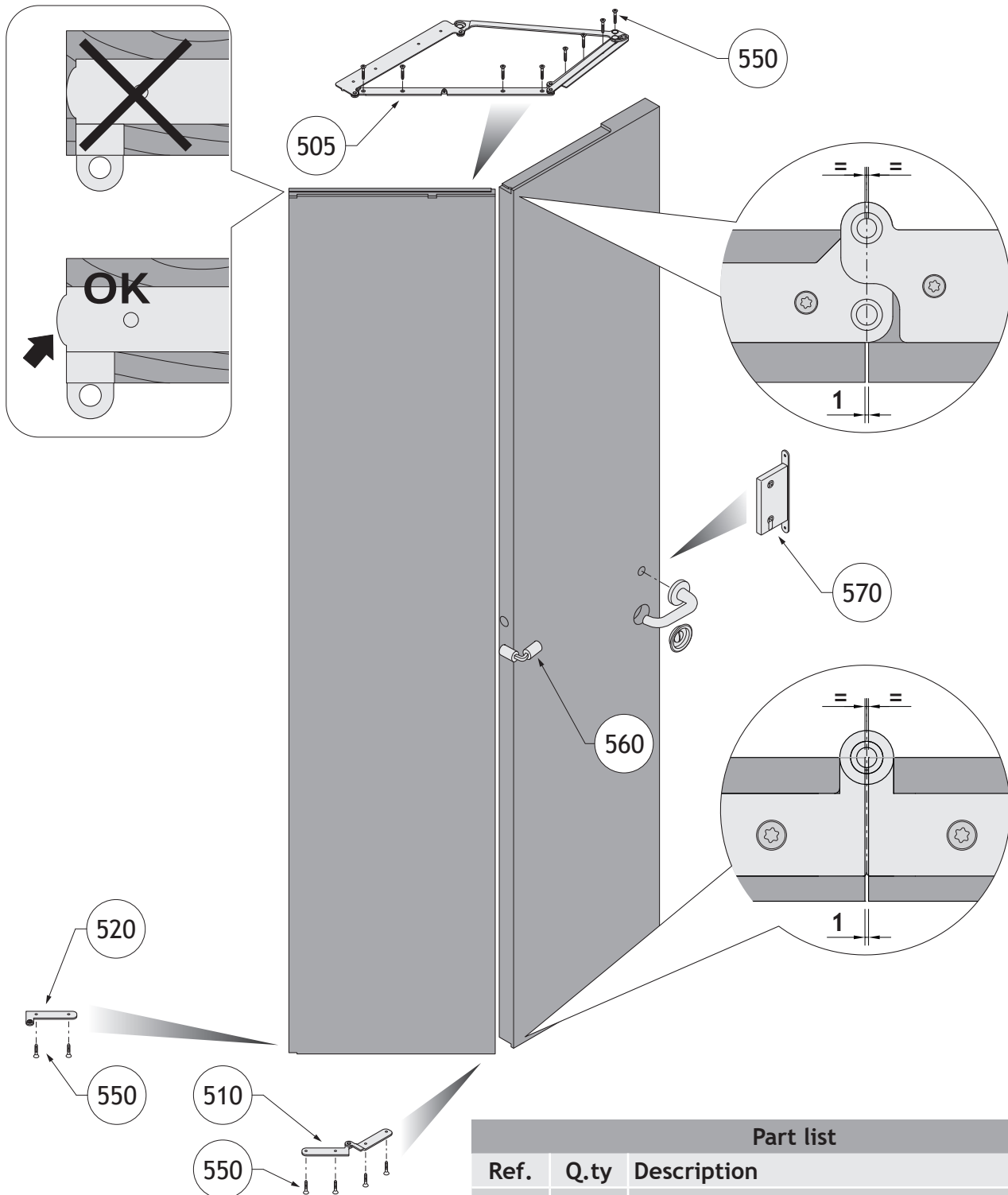


The dimension marked with (*) vary according to the seal gap dimensions.

- X** = Wall Thickness
- ES** = Outer Jamb (= length of the upper crossbeam)
- LFM** = Wall Hole Width

6. ASSEMBLY

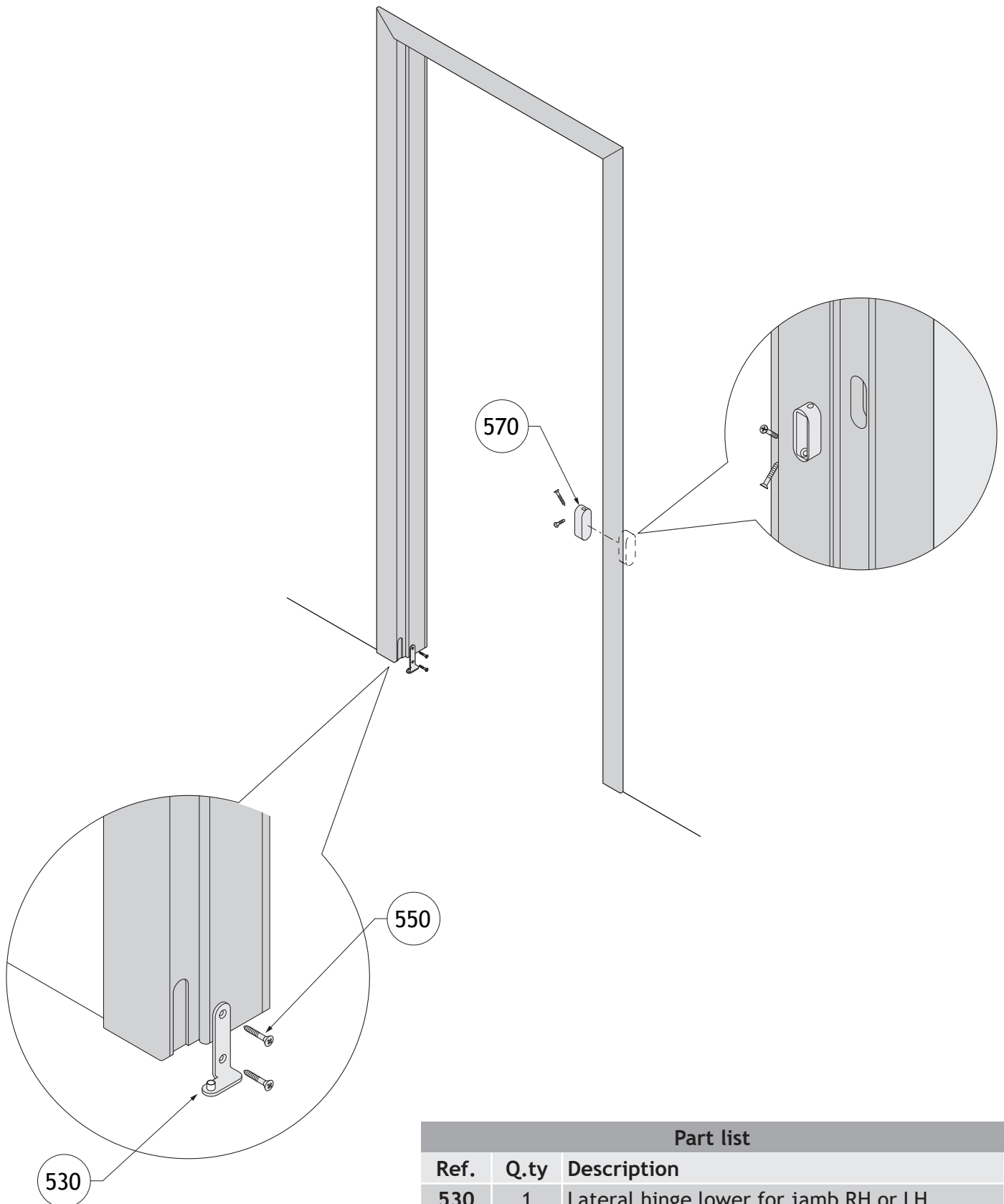
6.1 Assembling the hardware on the leaf



Part list

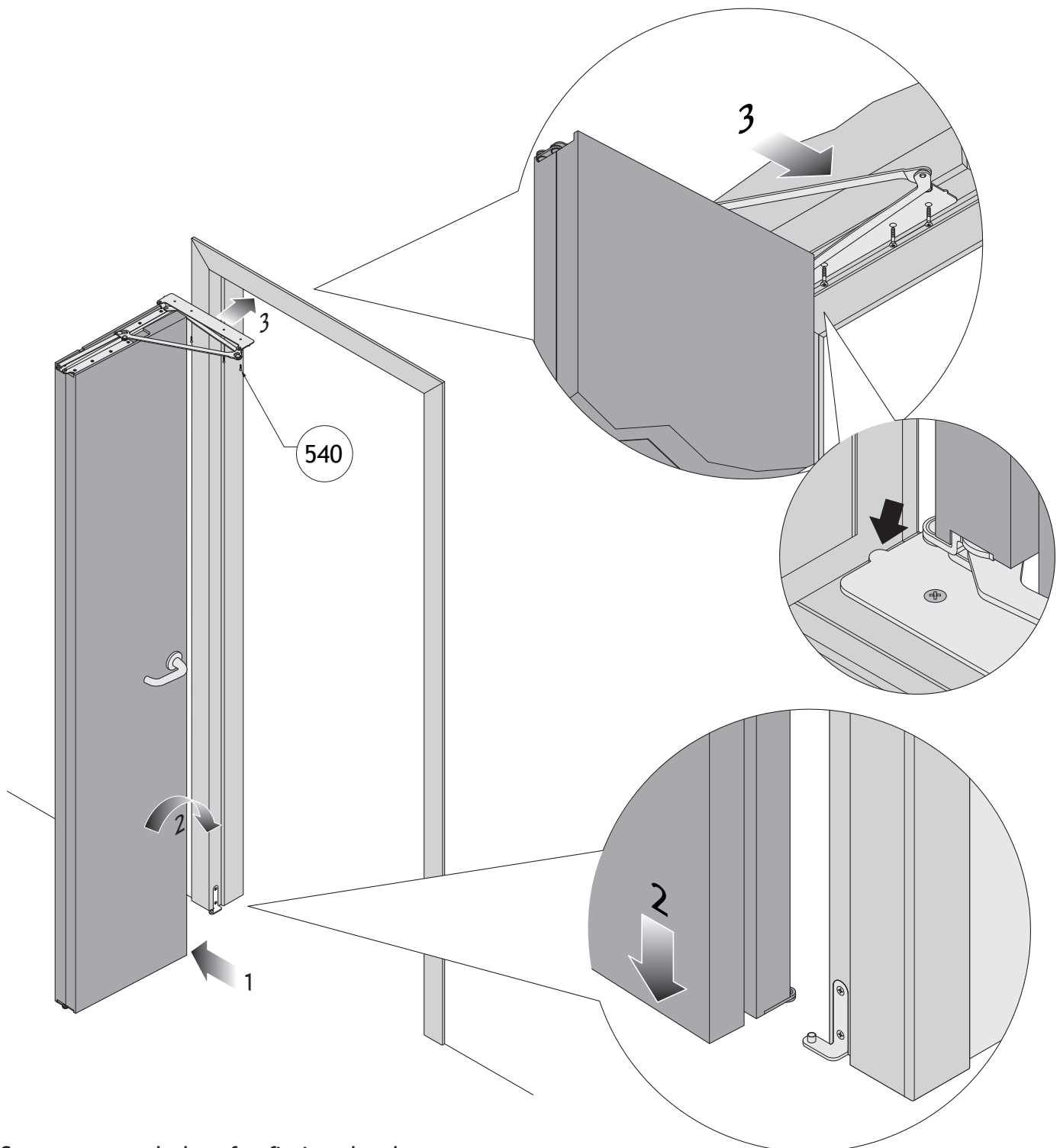
Ref.	Q.ty	Description
505	1	Compack Living 90 system RH or LH
510	1	Central hinge lower
520	1	Lateral hinge lower for leaf RH or LH
550	14	Screw TSP trx \varnothing 4x30
560	1	Invisible hinge for alignment leaf
570	1	Magnetic lock Compack Living with strikers and special square spindle

6.2 Assembling the hardware on the jamb



Part list		
Ref.	Q.ty	Description
530	1	Lateral hinge lower for jamb RH or LH
550	2	Screw TSP trx ø 4x30
570	1	Magnetic lock Compack Living with strikers (optional)

6.3 Installation door leaf on the jambs



See sequence below for fitting the door:

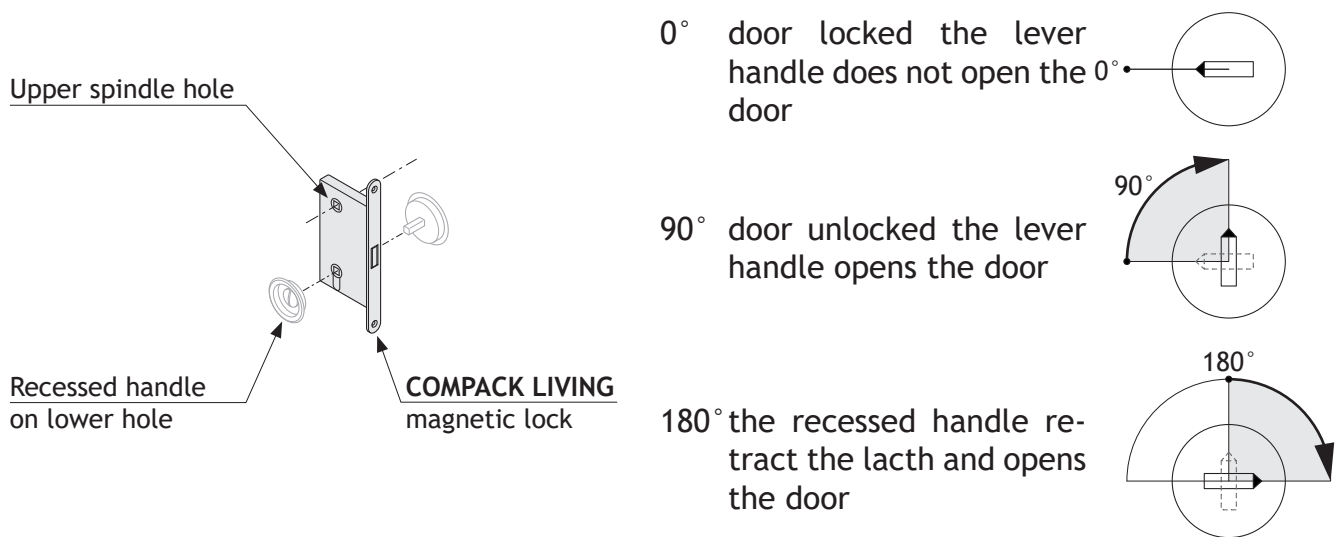
- 1 fold the door leaves against one another
- 2 mount the door on the pivot of the hinge lower
- 3 position the top hardware pieces in **perfect alignment with the corner** and screw in place (screws included)

Part list		
Ref.	Q.ty	Description
540	4	Screw TSP trx ø 4x20

7. SPECIAL COMPACT LIVING MAGNETIC LATCH

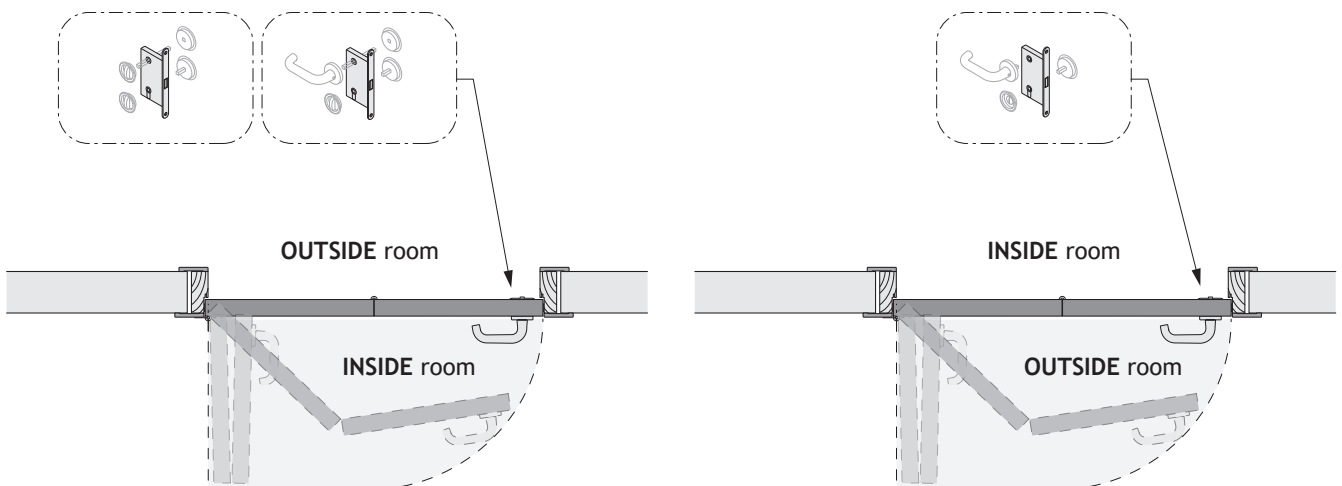
If lever handles cannot be used because of the way the doors fold together, it is necessary to use the special **COMPACT** magnetic latch, which makes it possible to use a recessed handle on the lower section of the latch mechanism to lock the door or to retract the latch. This system provides 180° rotation. The special **COMPACT** magnetic latch also makes it possible to install the recessed handle on the upper section of the latch, to ensure privacy when the door opens into the room.

With the **COMPACT** hinge, the recessed handle installed on the lower section of the latch functions as follows:

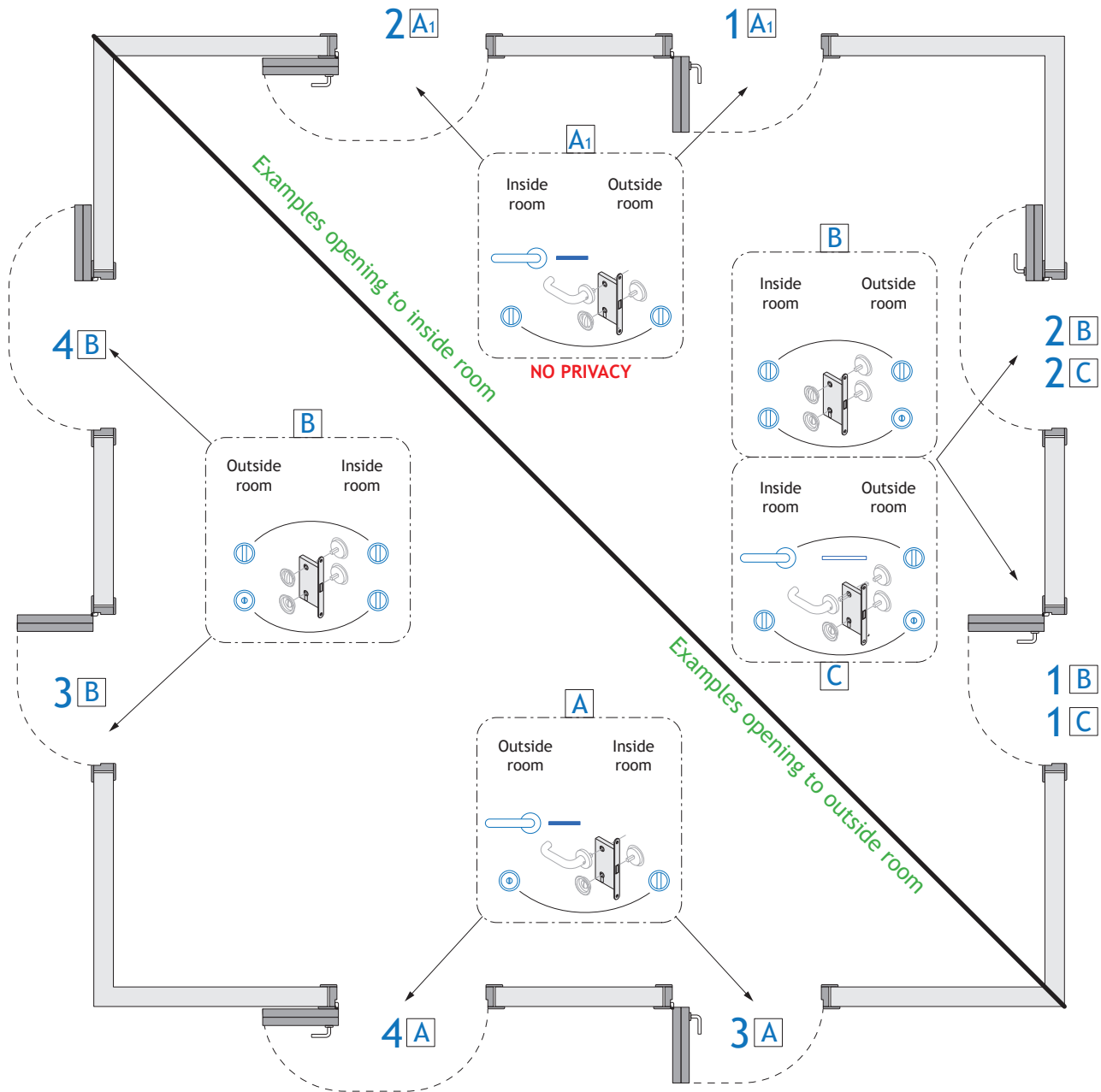







Recessed handle on upper latch section, to ensure privacy when the door opens into the room.

To unite the lever handle with the recessed handle, use the special spindle in the latch pack



7.1 Examples for using the special COMPACK LIVING lock



-  Traditional lever handle
-  Recessed handle with knob
-  Recessed handle
-  Special spindle square lock **COMPACK** (included in the lock's package)
-  Expansion spindle square (available on the market)

- 1** COMPACK LIVING 90° System opening to inside room
- 2** COMPACK LIVING 180° System opening to inside room
- 3** COMPACK LIVING 90° System opening to outside room
- 4** COMPACK LIVING 180° System opening to outside room

NOTES

A series of horizontal dotted lines for taking notes, spanning the width of the page.



NOTES

Dotted lines for writing.



MILCASA STORE

T +1 (347) 782-3353

www.milcasastore.com | support@milcasastore.com
