

# Star Hanger systems

“Your Innovative  
Panel Hanging Partner”



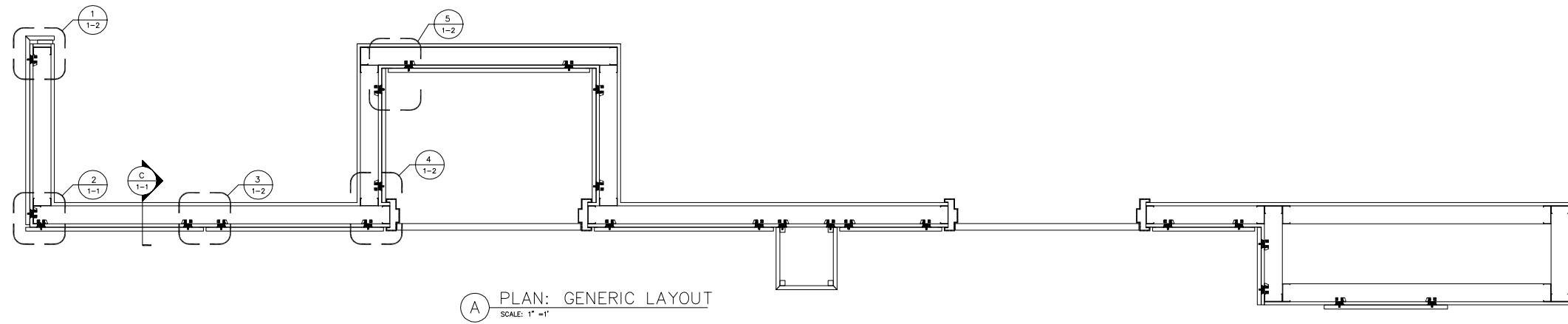
## INDEX

DRAWING NAME	DRAWING SERIES
TITLE SHEET & INDEX	TITLE
STAR HANGER	1 SERIES
STAR GREEN GLIDE	2 SERIES
STAR BLUE ZERO	3 SERIES
STAR 'S' PANEL CLIP	4 SERIES
STAR RED SNAPPER	5 SERIES
STAR ADA VANITY CONSTRUCTION	6 SERIES
STAR EPOXY SURFACE MOUNT	7 SERIES
STAR CEILING CLIP	8 SERIES
STAR 'T' TRACK HANGER	9 SERIES
STAR DIE WALL APPLICATION	10 SERIES
STAR BANQUETTE APPLICATION	11 SERIES

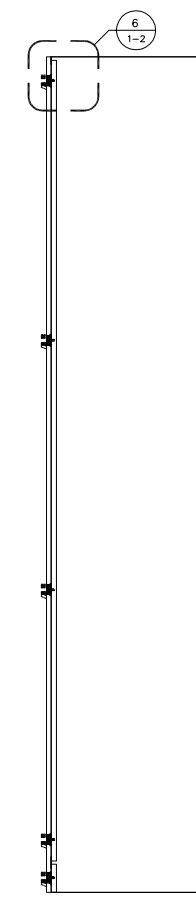
APPROVAL SIGNATURE:	<p>www.starhanger.com</p> <p>Presents: Star Hanger Systems Architectural Wood Work Elevations &amp; Details</p>
DRAWING TITLE:	
HARDWARE DESCRIPTION:	
SHEET:	

TITLE SHEET & INDEX

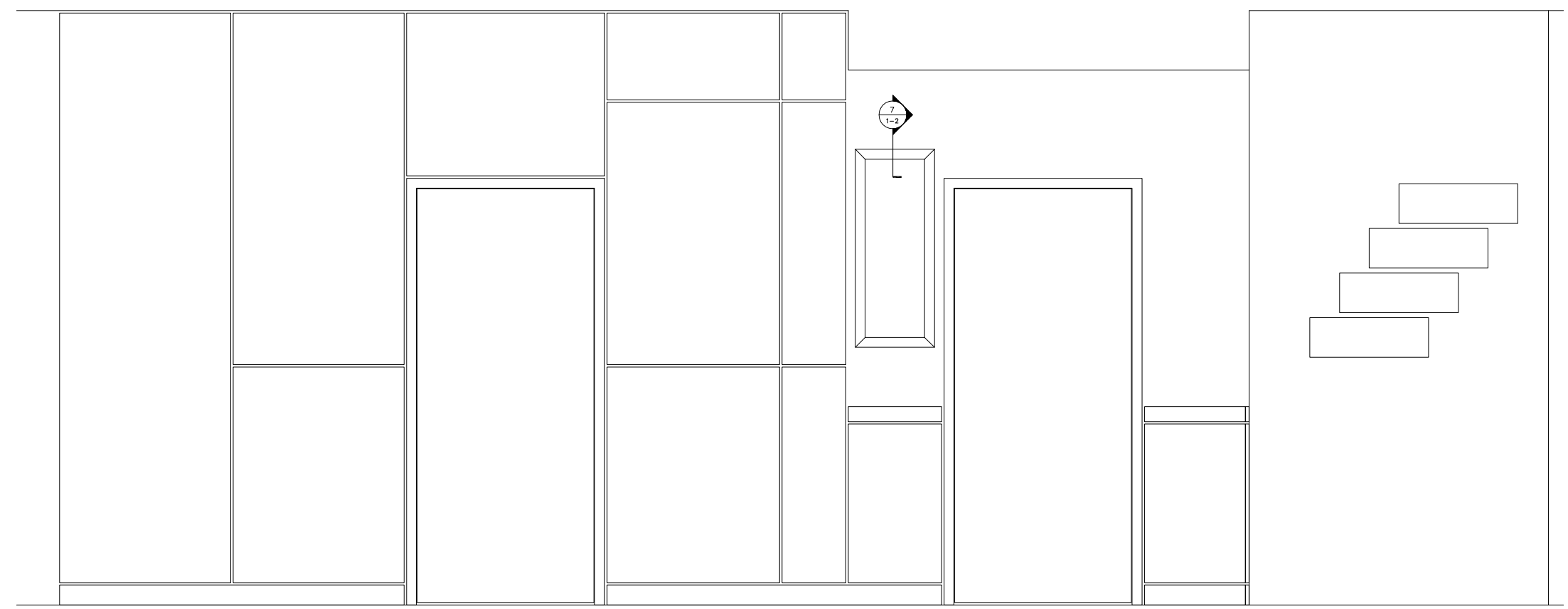
TITLE



(A) PLAN: GENERIC LAYOUT  
SCALE: 1" = 1'

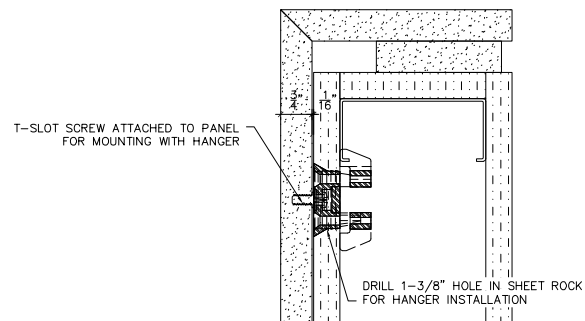


(C) SECTION  
SCALE: 1" = 1'

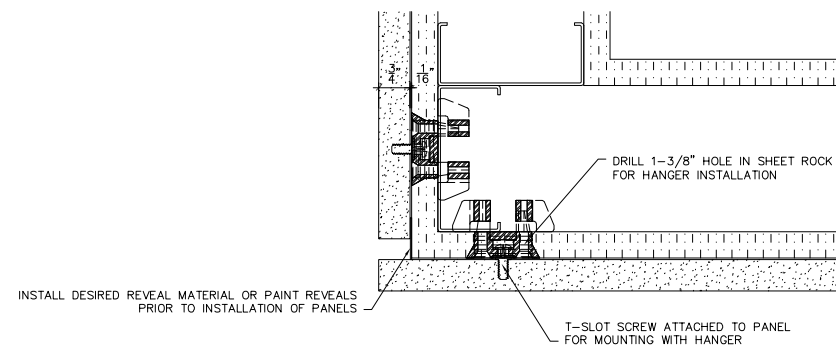


(B) ELEVATION  
SCALE: 1" = 1'

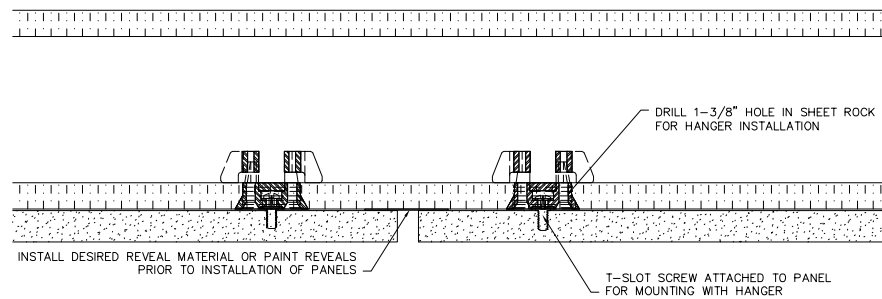
APPROVAL SIGNATURE:	
DRAWING TITLE: 1-1 PLAN & ELEVATION	
HARDWARE DESCRIPTION: <b>STAR HANGER</b>	<a href="http://www.starhanger.com">www.starhanger.com</a> Presents: <b>Star Hanger Systems</b> Architectural Wood Work Elevations & Details
SHEET: 1-1	



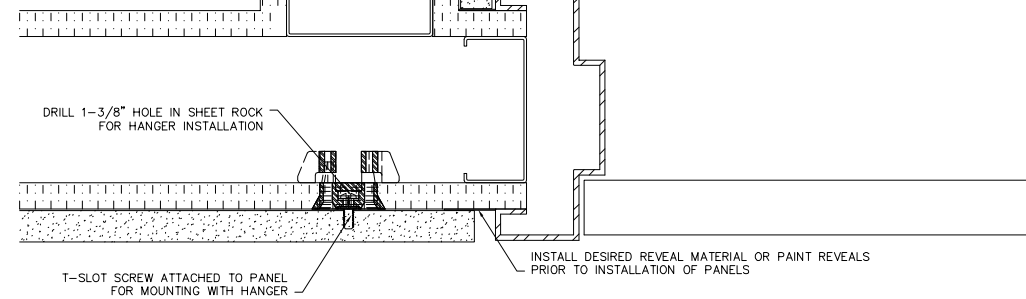
1 DETAIL  
SCALE: 6" = 1"



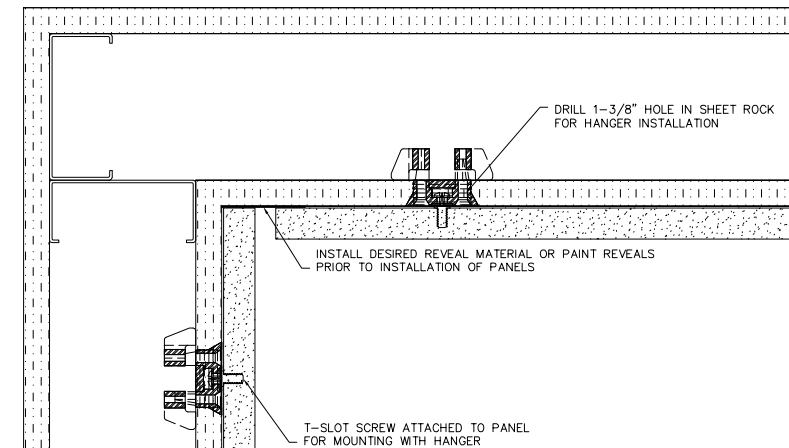
2 DETAIL  
SCALE: 6" = 1"



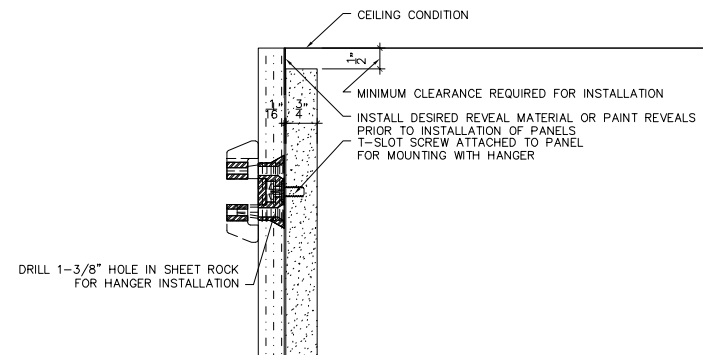
3 DETAIL  
SCALE: 6" = 1"



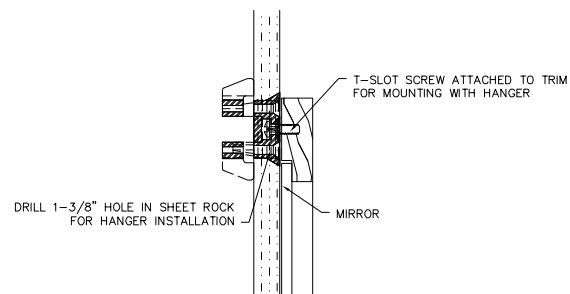
4 DETAIL  
SCALE: 6" = 1"



5 DETAIL  
SCALE: 6" = 1"

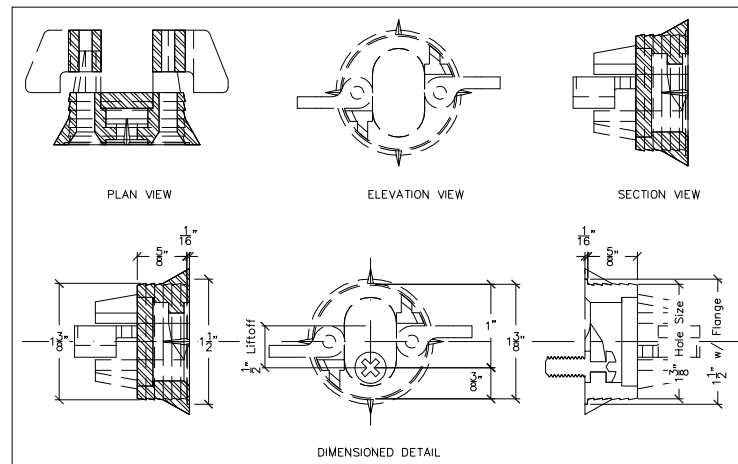


6 DETAIL  
SCALE: 6" = 1"



7 DETAIL  
SCALE: 6" = 1"

BLOCKS INCLUDED IN THIS SET OF DRAWINGS:

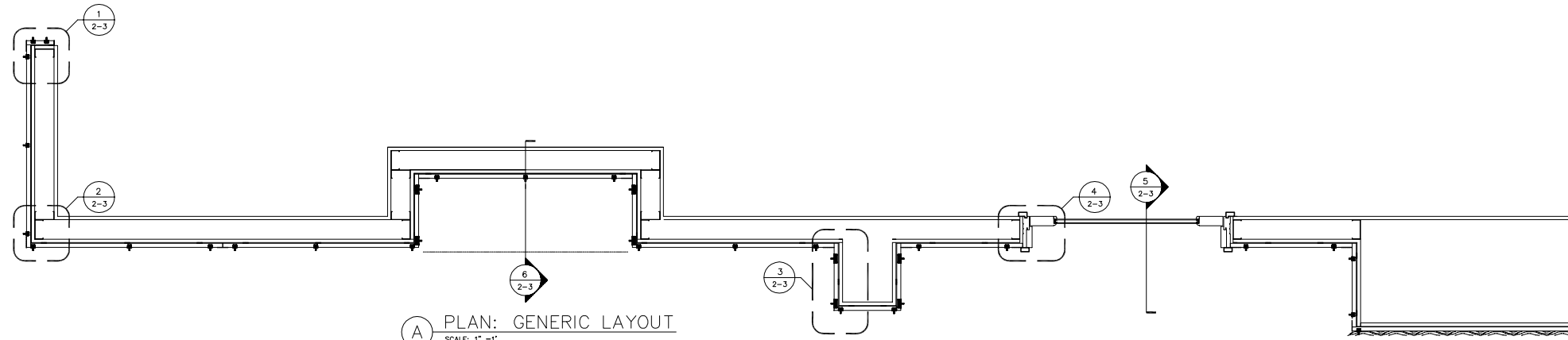


APPROVAL SIGNATURE:	
DRAWING TITLE:	1-2 DETAILS
HARDWARE DESCRIPTION:	STAR HANGER
SHEET:	1-2

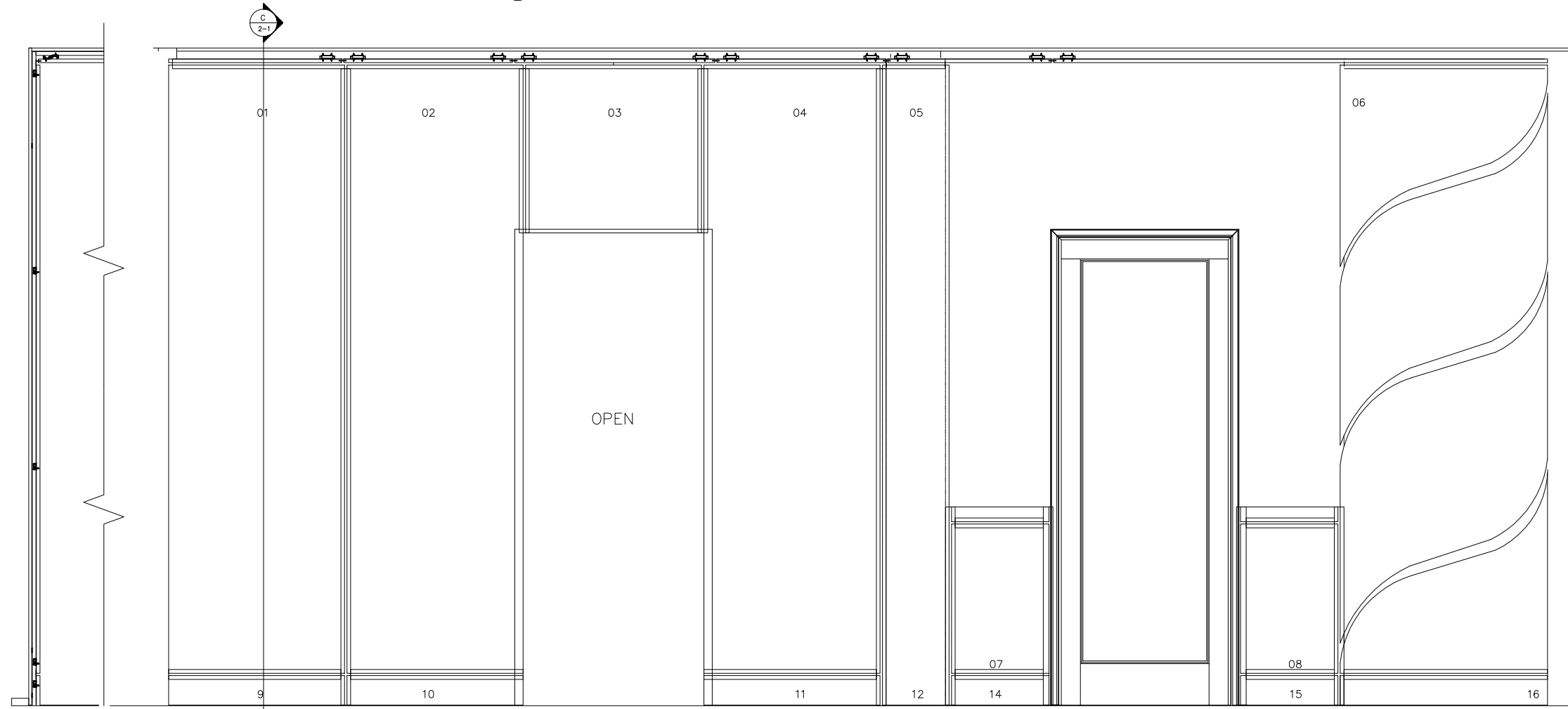
**Star Hanger systems**  
"The Innovative Panel Hanging Partner"

www.starhanger.com

Presents:  
**Star Hanger Systems**  
Architectural Wood Work  
Elevations & Details



(A) PLAN: GENERIC LAYOUT  
SCALE: 1" = 1'



(C) SECTION  
SCALE: 1" = 1'

(B) ELEVATION: PANELING  
SCALE: 1" = 1'

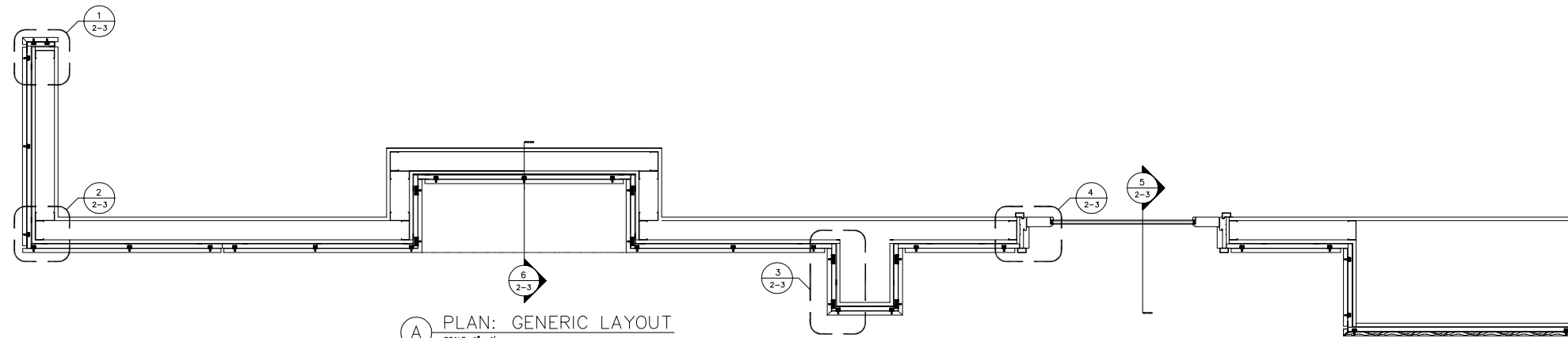
APPROVAL SIGNATURE:	
DRAWING TITLE:	
HARDWARE DESCRIPTION:	
SHEET:	

2-1 PLAN & ELEVATIONS

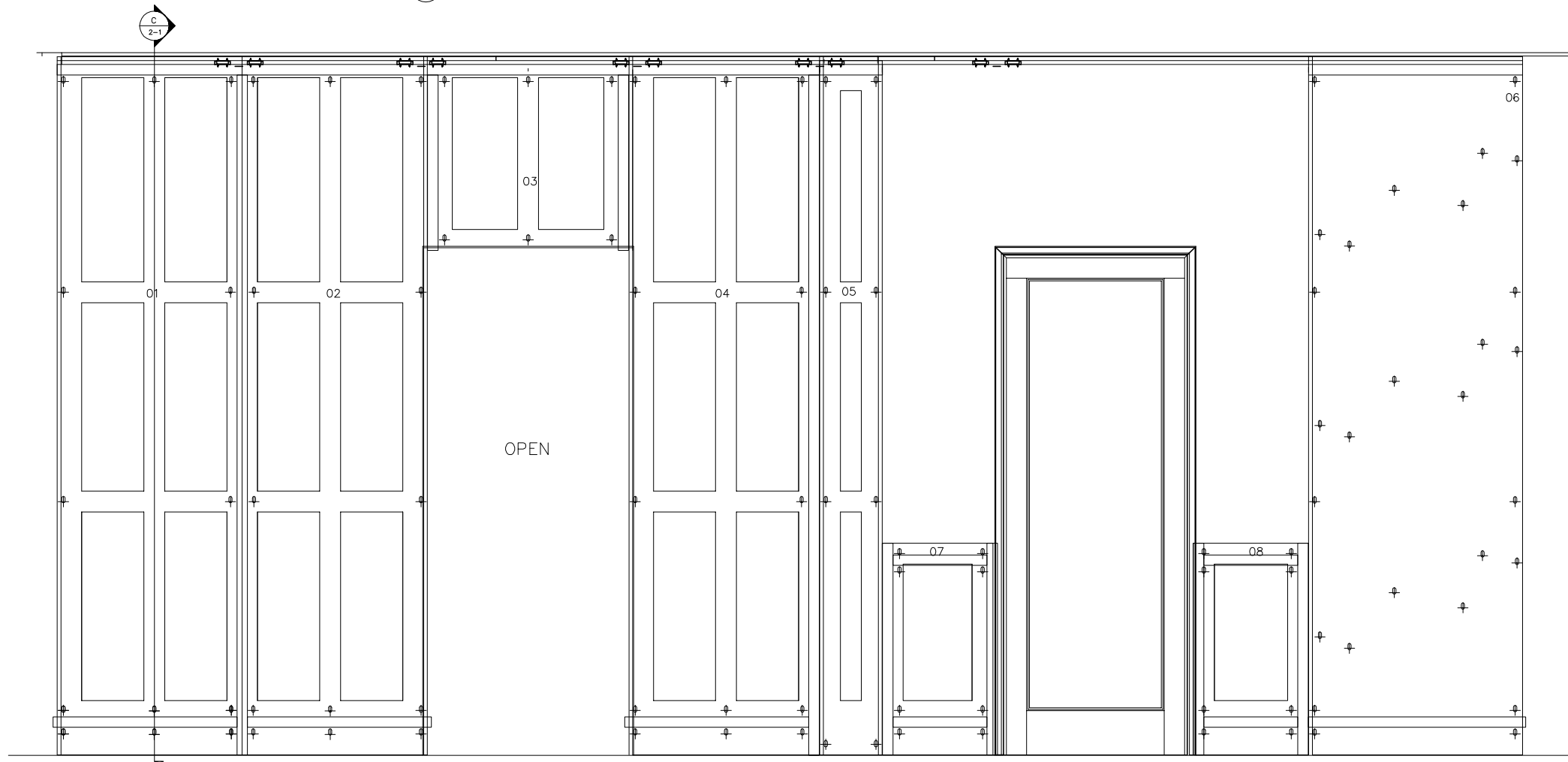
STAR GREEN GLIDE

2-1

www.starhanger.com  
Presents:  
Star Hanger Systems  
Architectural Wood Work  
Elevations & Details



(A) PLAN: GENERIC LAYOUT  
SCALE: 1" = 1'



(B) ELEVATION: FURRING  
SCALE: 1" = 1'

APPROVAL SIGNATURE:	
DRAWING TITLE:	
HARDWARE DESCRIPTION:	
SHEET:	

2-2 PLAN & ELEVATIONS

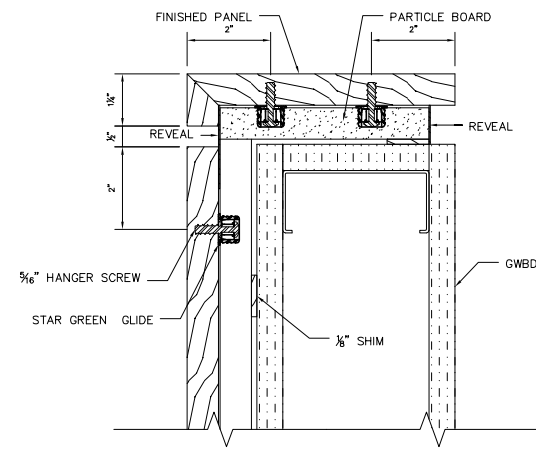
STAR GREEN GLIDE

2-2

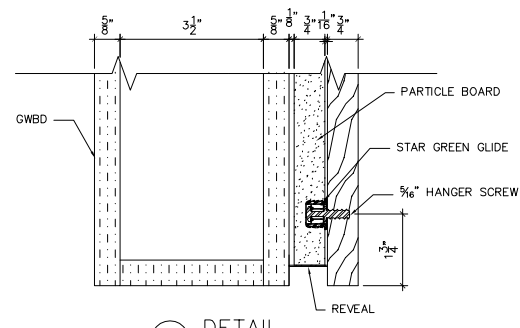
www.starhanger.com

Presents: Star Hanger Systems

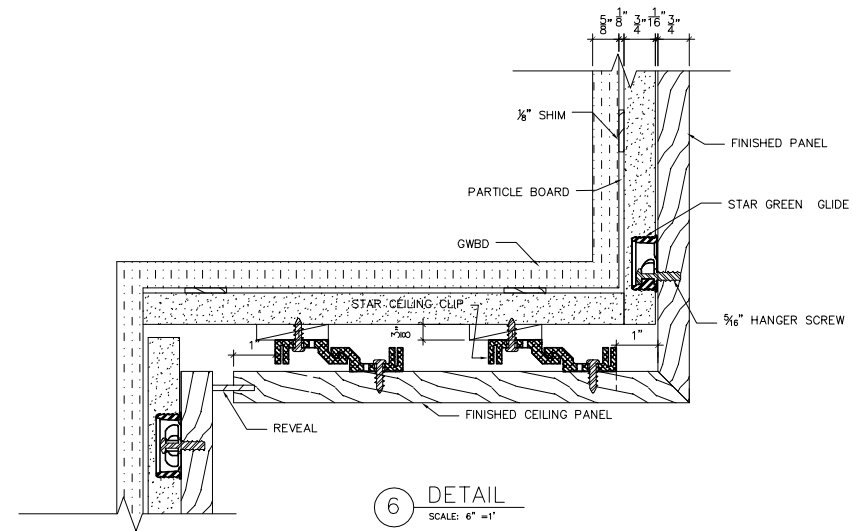
Architectural Wood Work Elevations & Details



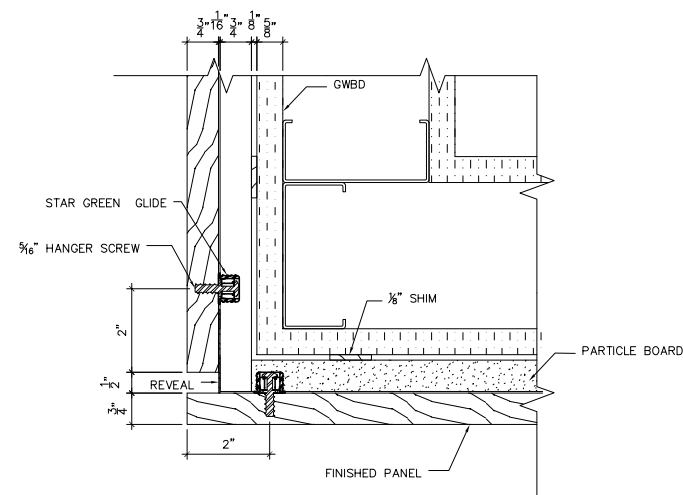
1 DETAIL  
SCALE: 6" = 1"



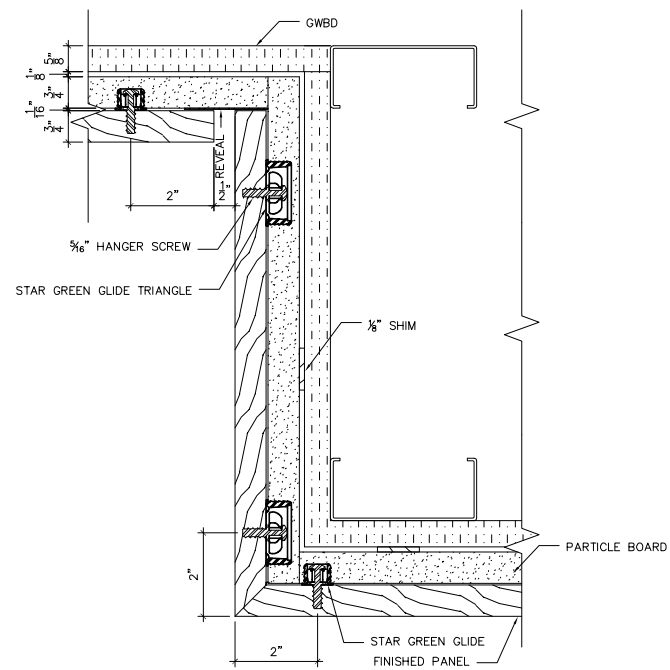
5 DETAIL  
SCALE: 6" = 1"



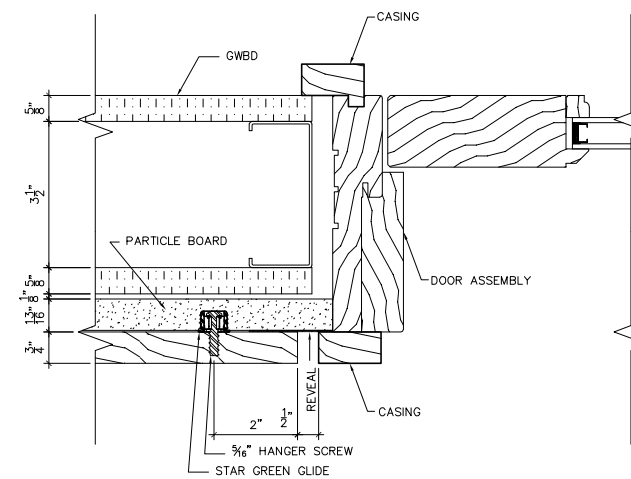
6 DETAIL  
SCALE: 6" = 1"



2 DETAIL  
SCALE: 6" = 1"

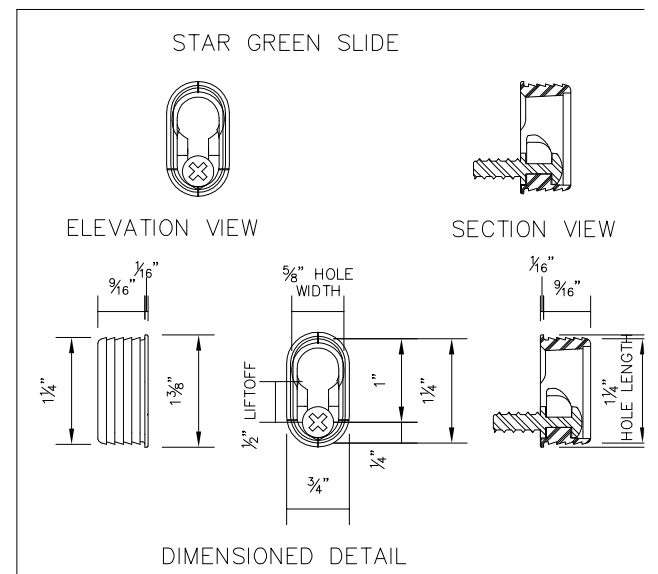


3 DETAIL  
SCALE: 6" = 1"



4 DETAIL  
SCALE: 6" = 1"

BLOCKS INCLUDED IN THIS SET OF DRAWINGS:



APPROVAL SIGNATURE:

DRAWING TITLE:  
2-3 DETAILS

HARDWARE DESCRIPTION:

STAR GREEN  
GLIDE

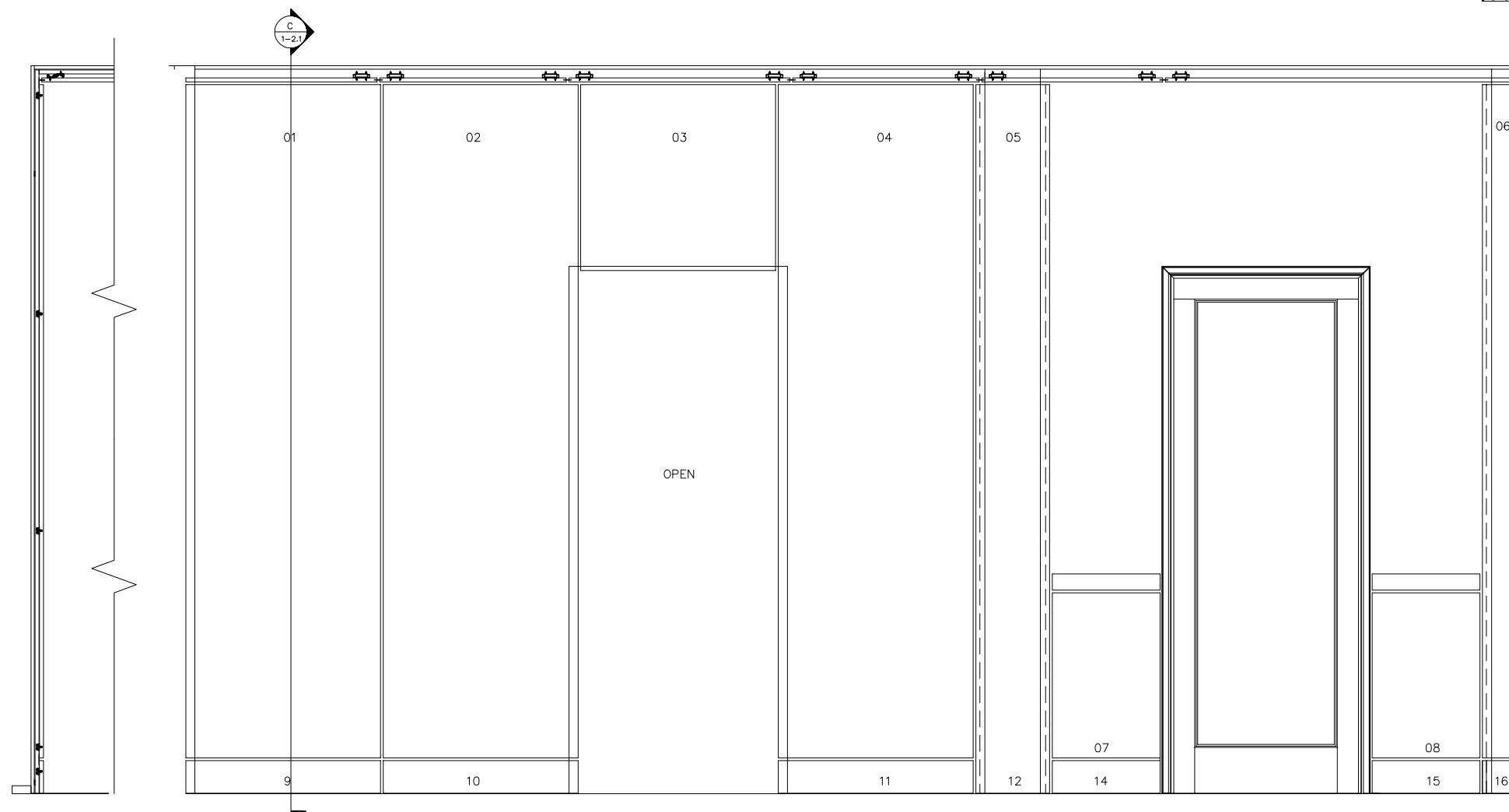
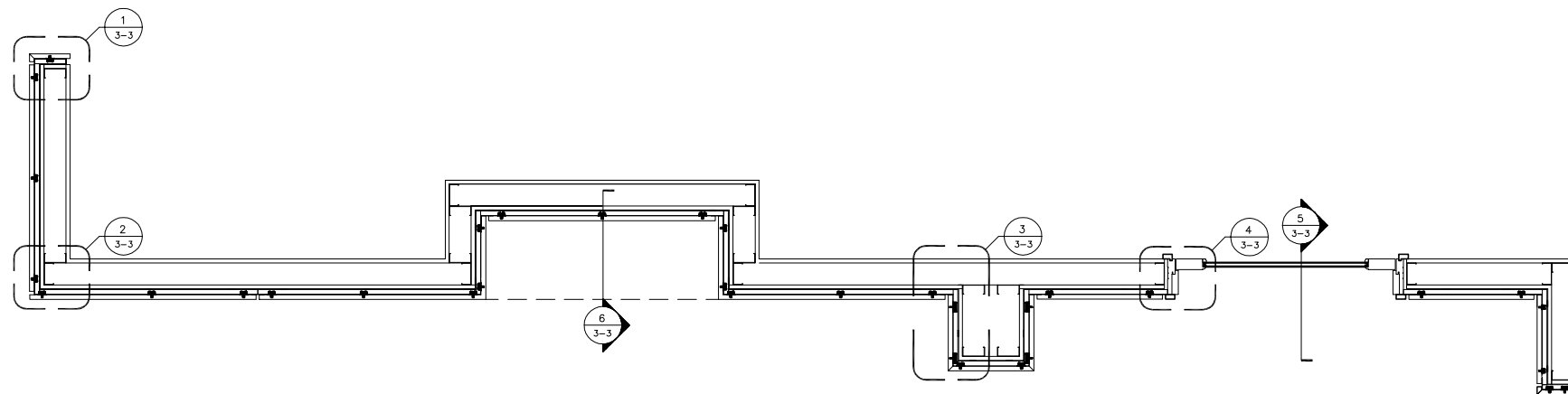
SHEET:  
2-3

**Star Hanger**  
systems

"The Innovative Panel Hanging Partner"

www.starhanger.com

Presents:  
Star Hanger Systems  
Architectural Wood Work  
Elevations & Details



**C** SECTION  
SCALE: 1" = 1'

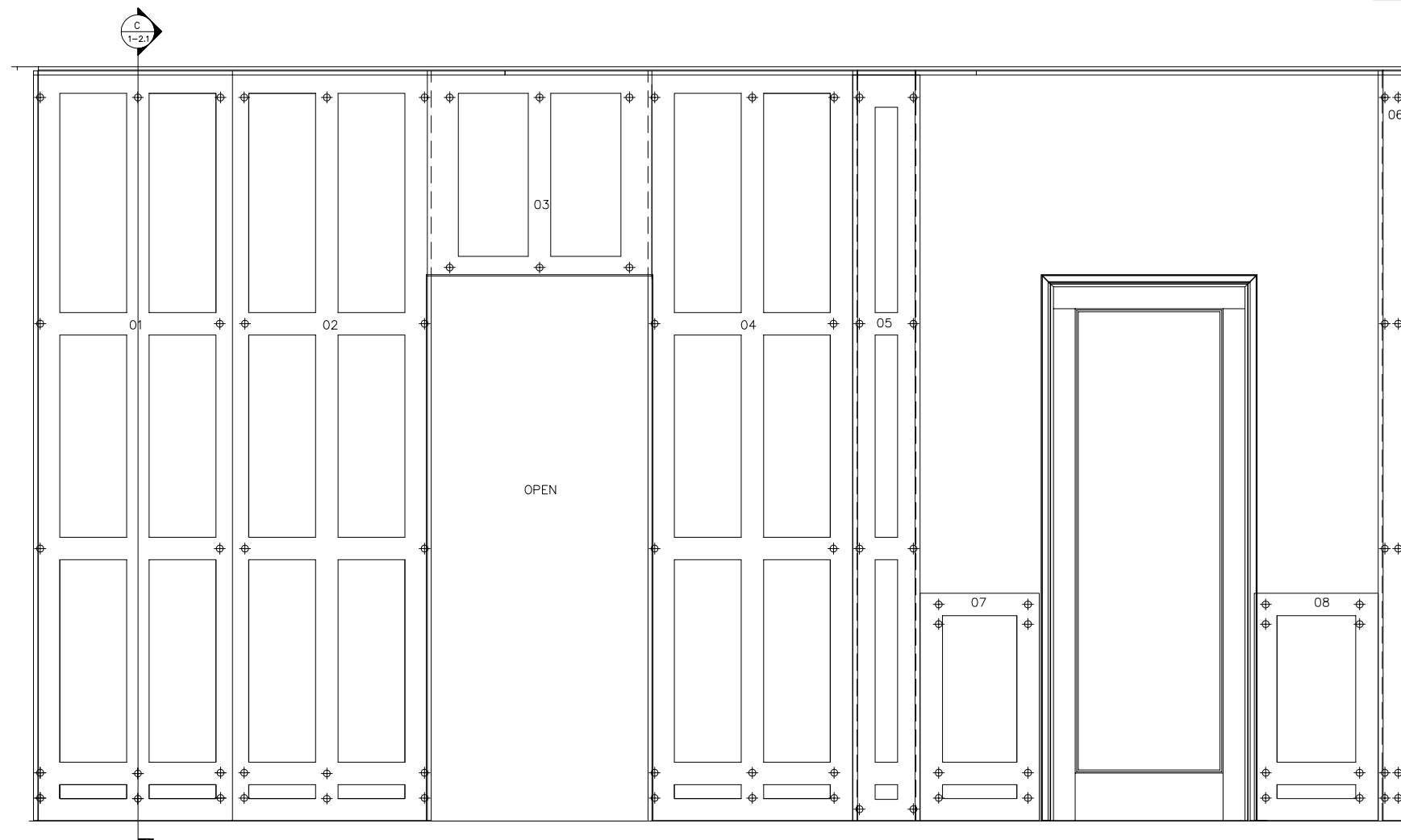
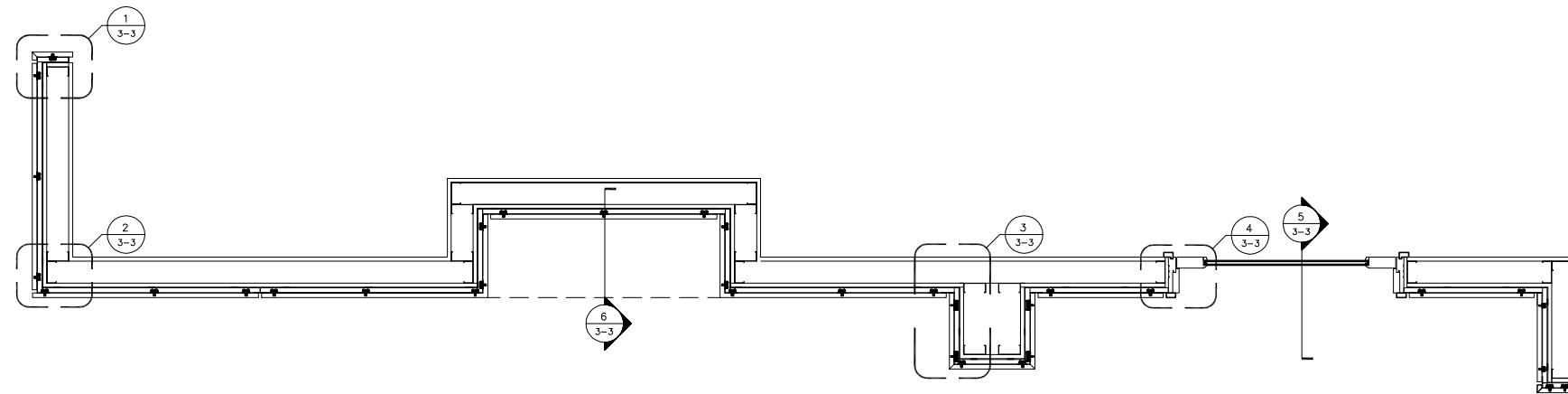
**B** ELEVATION: PANELING  
SCALE: 1" = 1'

APPROVAL SIGNATURE:	<p>www.starhanger.com</p> <p>Presents: Star Hanger Systems</p> <p>Architectural Wood Work Elevations &amp; Details</p>
DRAWING TITLE:	
HARDWARE DESCRIPTION:	
SHEET:	

3-1 PLAN & ELEVATION

STAR BLUE ZERO

3-1



**(B)** ELEVATION: FURRING  
SCALE: 1" = 1"

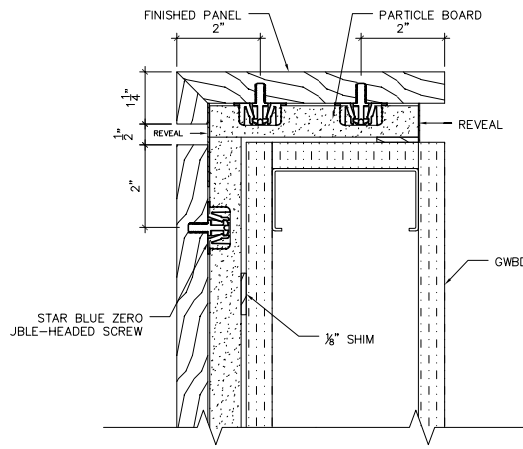
APPROVAL SIGNATURE:	 <small>"No Invasive Panel Hanging System"</small> <a href="http://www.starhanger.com">www.starhanger.com</a> Presents: <b>Star Hanger Systems</b> <small>Architectural Wood Work Elevations &amp; Details</small>
DRAWING TITLE:	
HARDWARE DESCRIPTION:	
SHEET:	

3-2 PLAN & ELEVATION

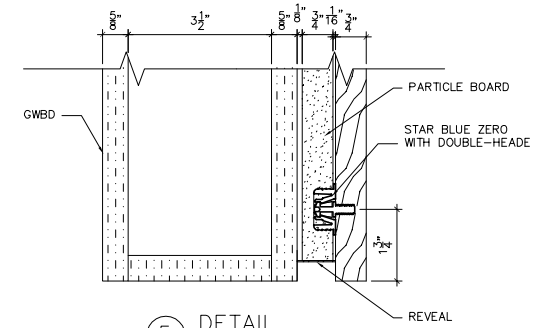
STAR BLUE ZERO

3-2

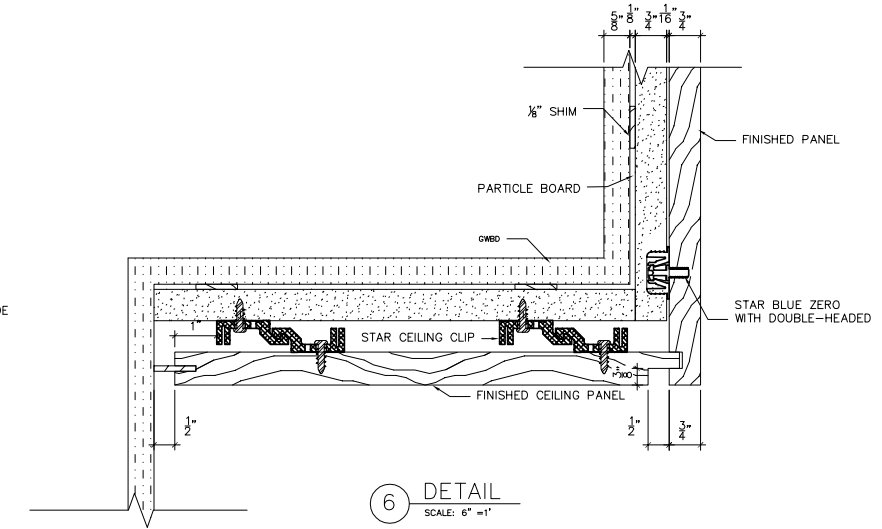




1 DETAIL  
SCALE: 6" = 1"

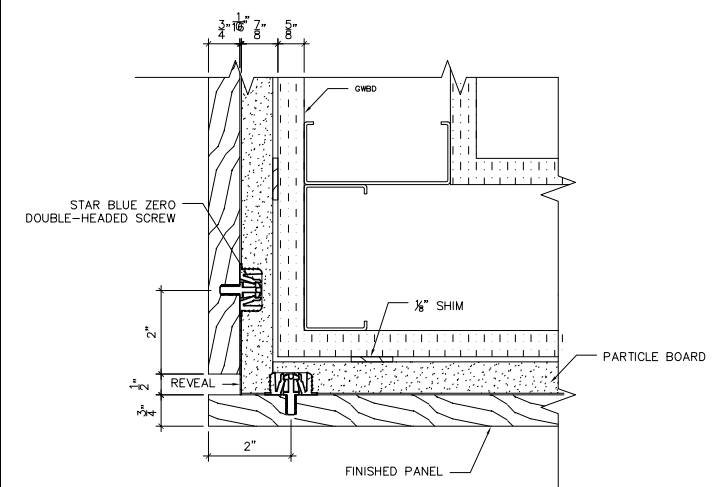
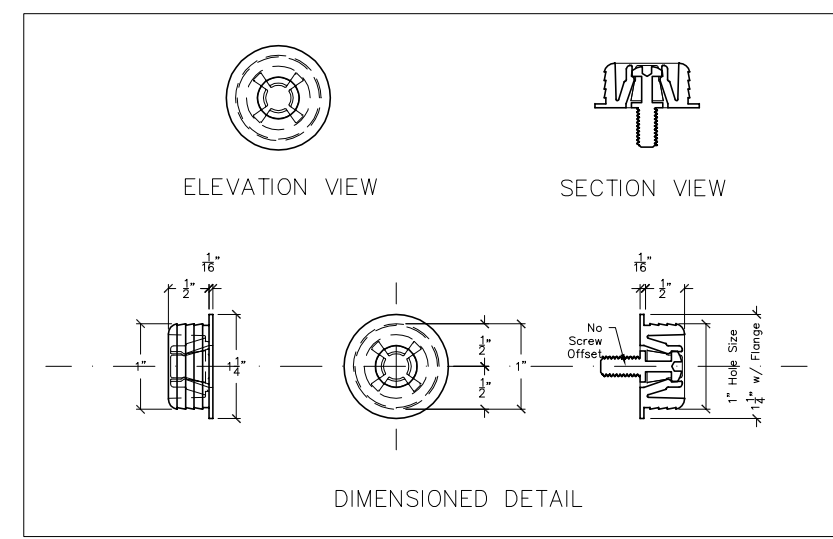


5 DETAIL  
SCALE: 6" = 1"

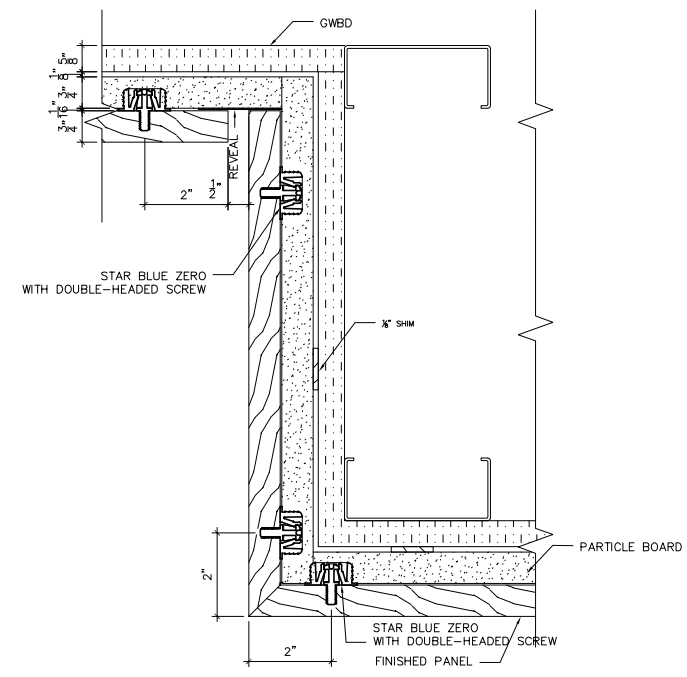


6 DETAIL  
SCALE: 6" = 1"

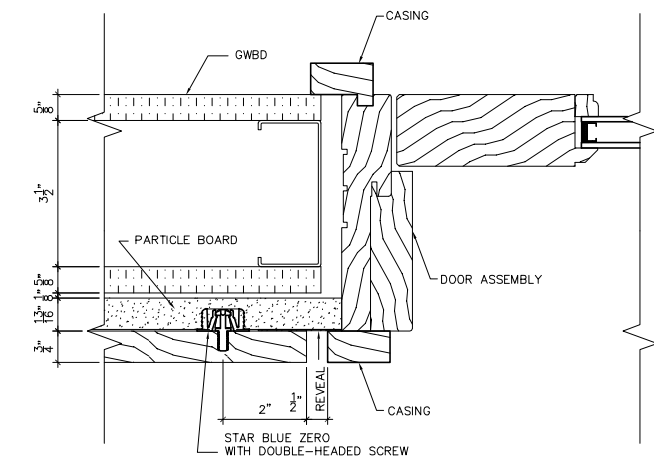
BLOCKS INCLUDED IN THIS SET OF DRAWINGS:



2 DETAIL  
SCALE: 6" = 1"



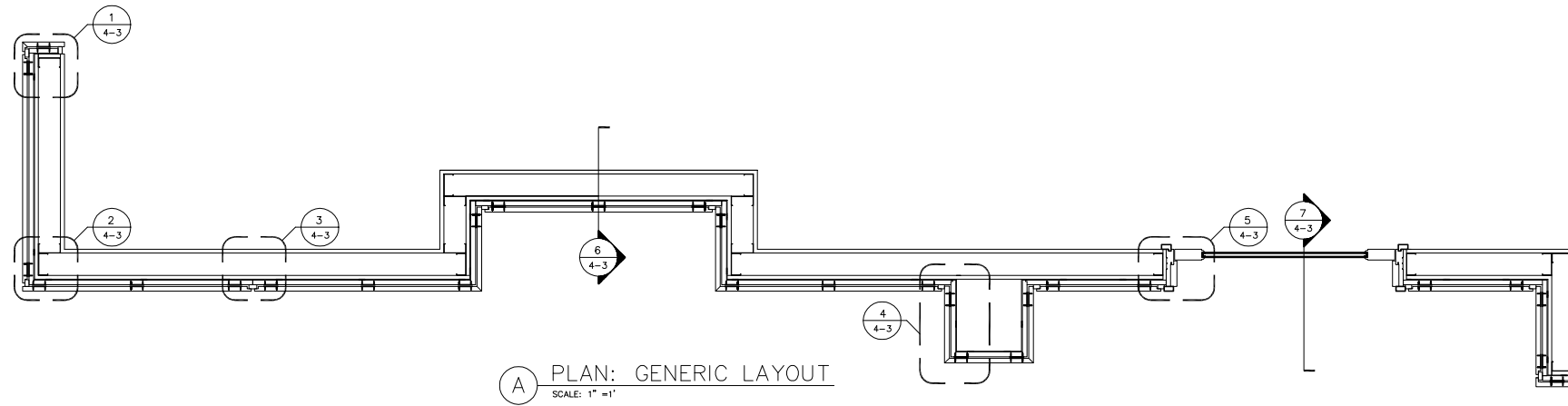
3 DETAIL  
SCALE: 6" = 1"



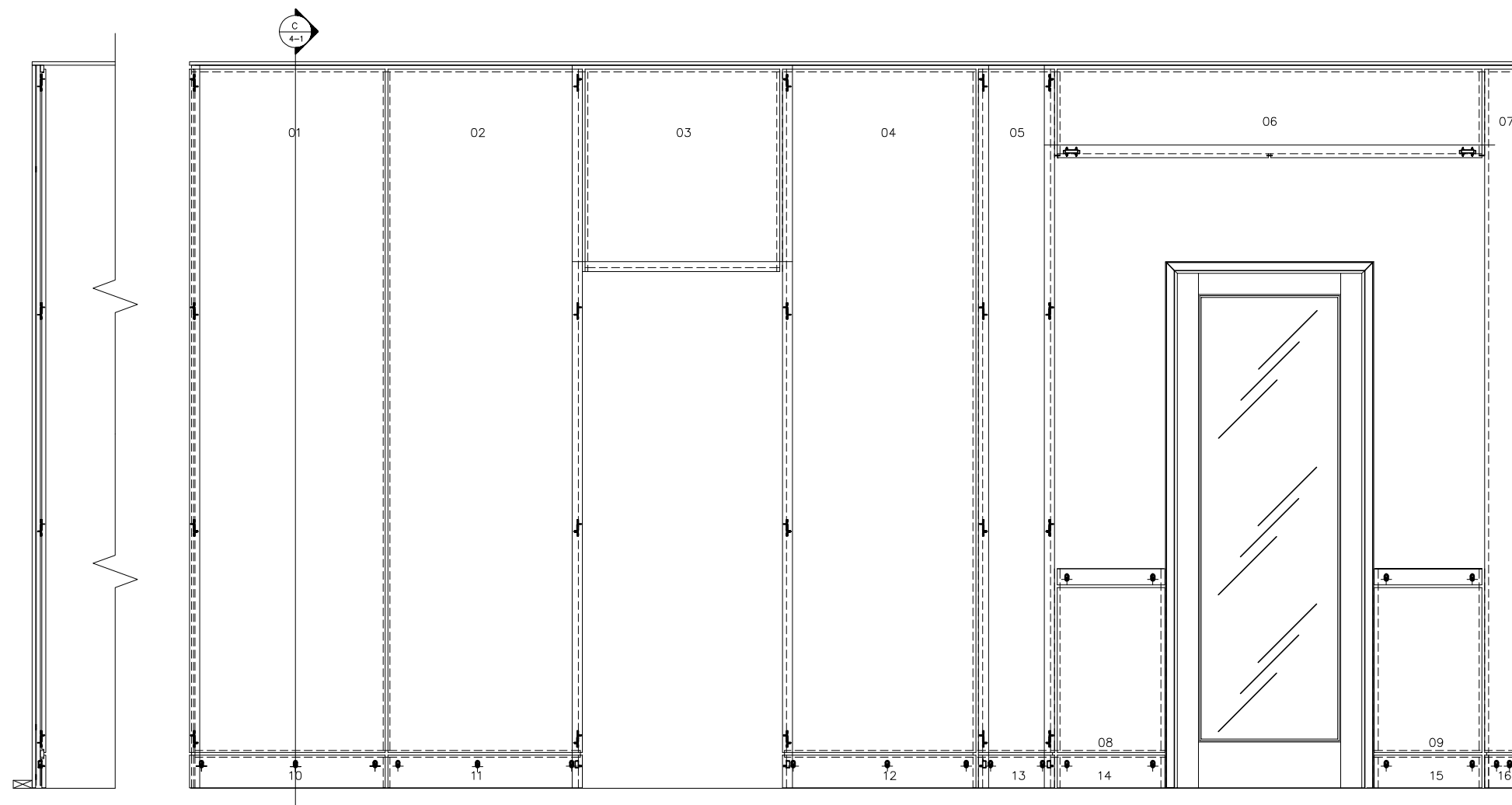
4 DETAIL  
SCALE: 6" = 1"

APPROVAL SIGNATURE:	
DRAWING TITLE:	3-3 DETAILS
HARDWARE DESCRIPTION:	STAR BLUE ZERO
SHEET:	3-3

**Star Hanger systems**  
 "The Innovative Panel Hanging Partner"  
[www.starhanger.com](http://www.starhanger.com)  
 Presents:  
**Star Hanger Systems**  
 Architectural Wood Work  
 Elevations & Details




(A) PLAN: GENERIC LAYOUT  
SCALE: 1" = 1'



(B) ELEVATION: PANELING  
SCALE: 1" = 1'

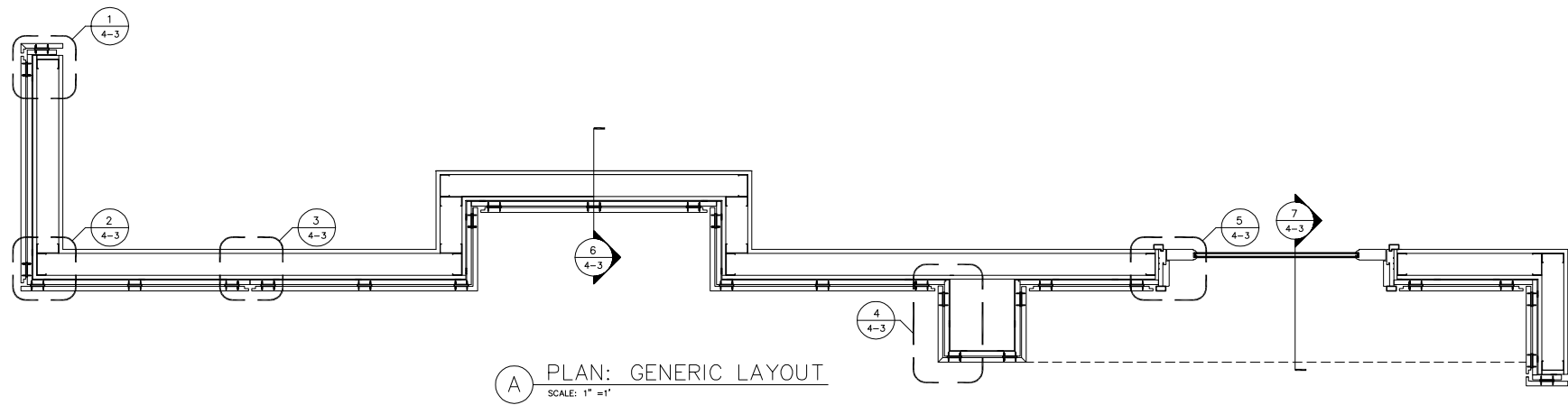
(C) SECTION  
SCALE: 1" = 1'

APPROVAL SIGNATURE:	 <a href="http://www.starhanger.com">www.starhanger.com</a> Presents: <b>Star Hanger Systems</b> Architectural Wood Work Elevations & Details
DRAWING TITLE:	
HARDWARE DESCRIPTION:	
SHEET:	

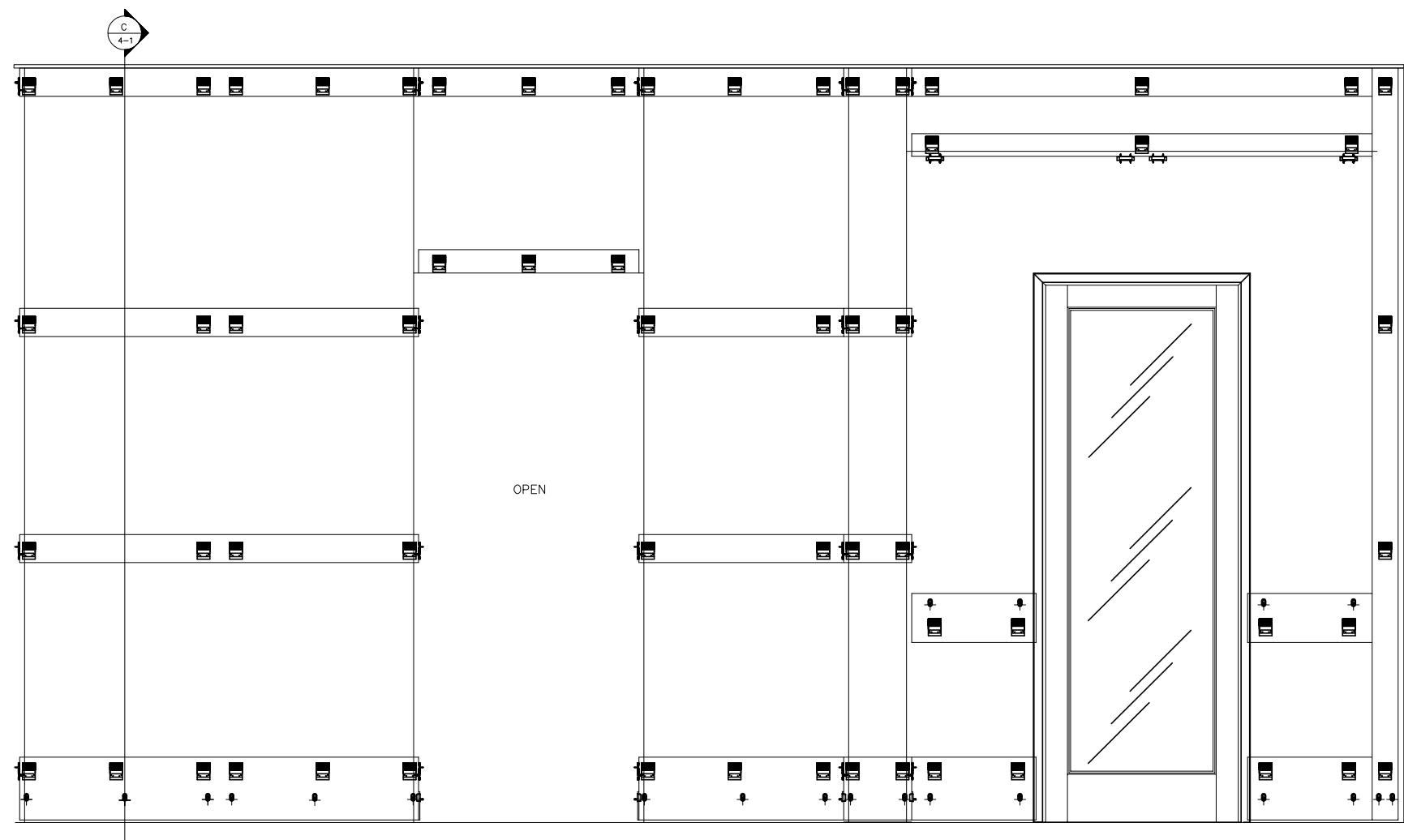
4-1 PLAN & ELEVATION

STAR 'S' CLIP

4-1



(A) PLAN: GENERIC LAYOUT  
SCALE: 1" = 1'



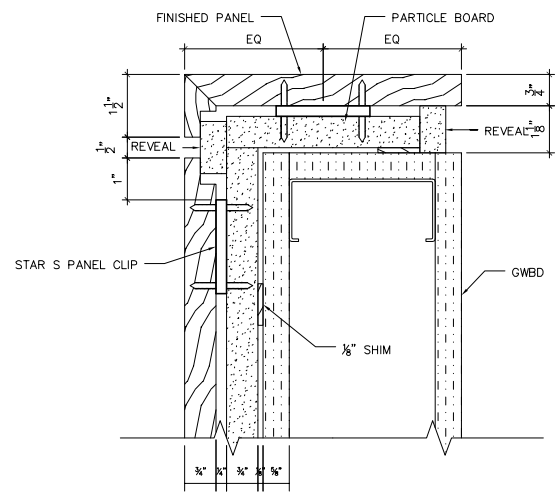
(B) ELEVATION: FURRING  
SCALE: 1" = 1'

APPROVAL SIGNATURE:	<p>www.starhanger.com</p> <p>Presents: Star Hanger Systems Architectural Wood Work Elevations &amp; Details</p>
DRAWING TITLE:	
HARDWARE DESCRIPTION:	
SHEET:	

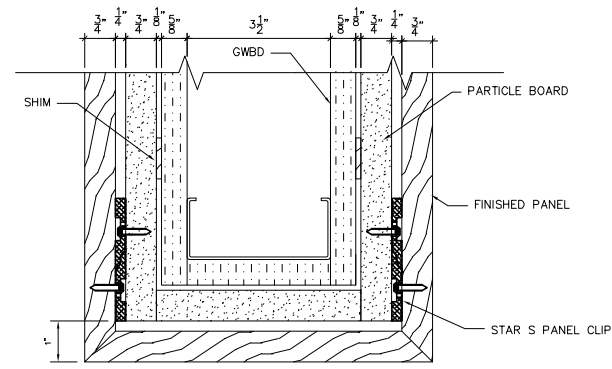
4-2 PLAN & ELEVATION

STAR 'S' CLIP

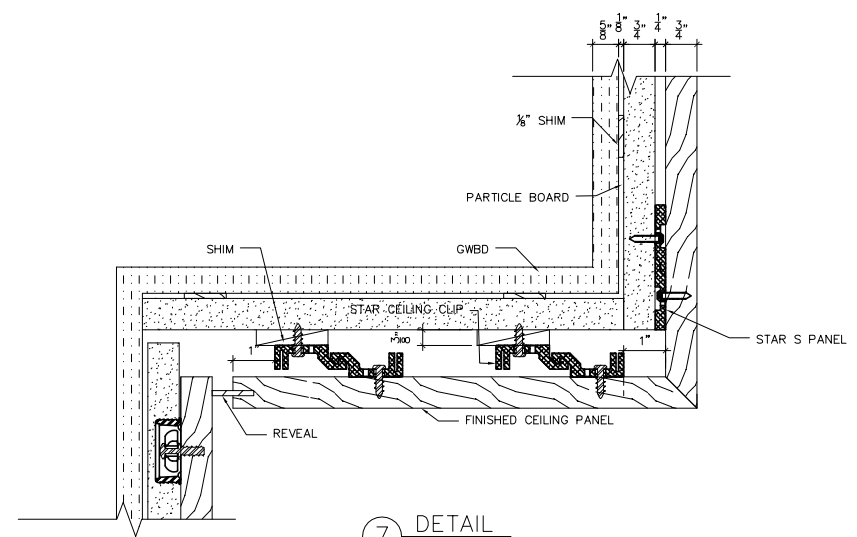
4-2



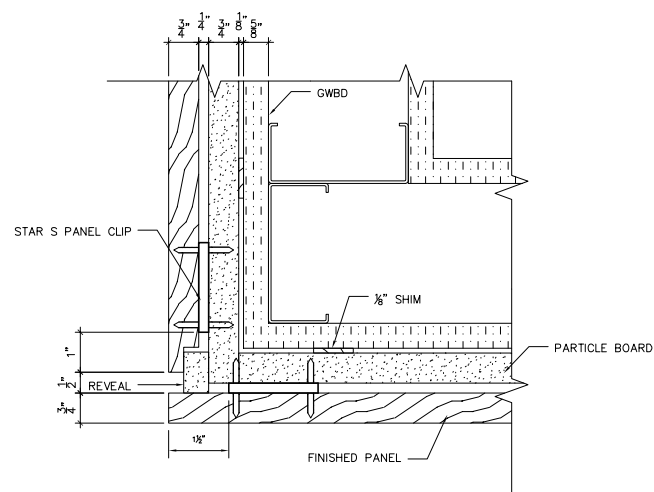
1 DETAIL  
SCALE: 6" = 1"



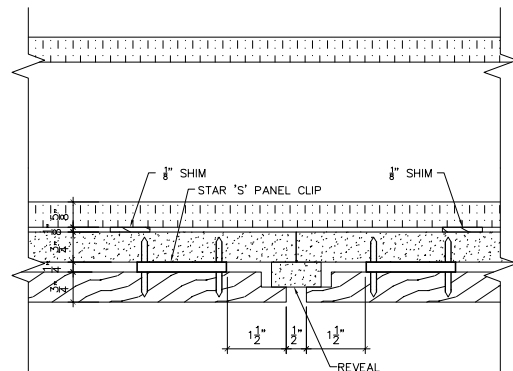
6 DETAIL  
SCALE: 6" = 1"



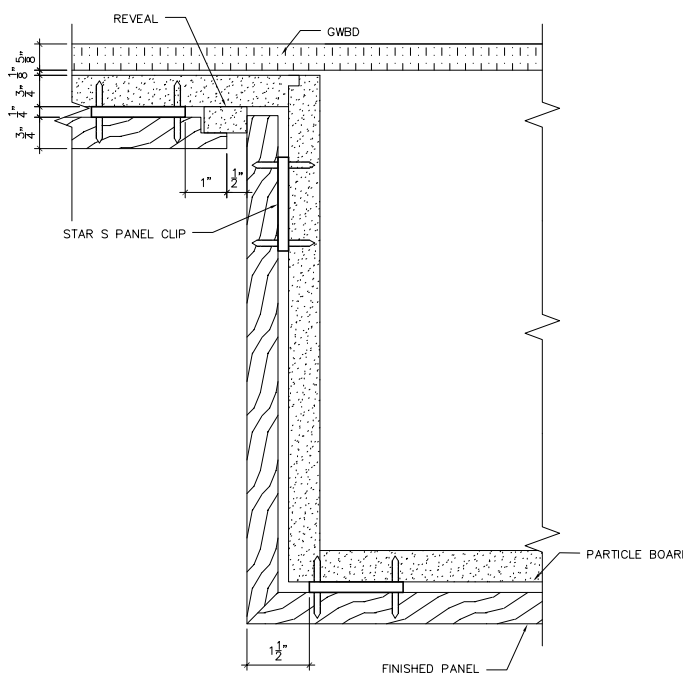
7 DETAIL  
SCALE: 6" = 1"



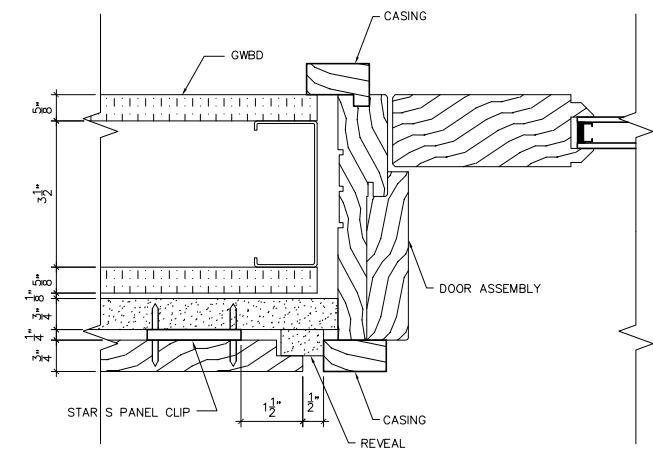
2 DETAIL  
SCALE: 6" = 1"



3 DETAIL  
SCALE: 6" = 1"

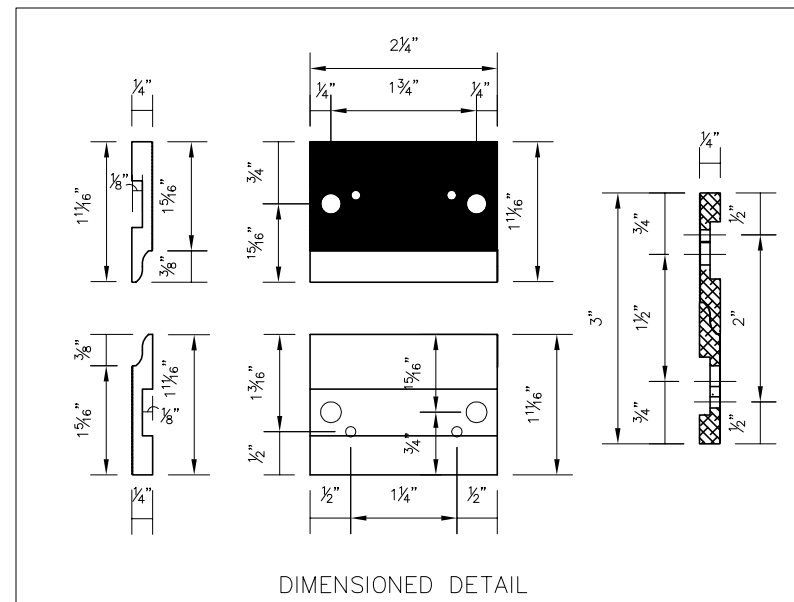


4 DETAIL  
SCALE: 6" = 1"



5 DETAIL  
SCALE: 6" = 1"

BLOCKS INCLUDED IN THIS SET OF DRAWINGS:

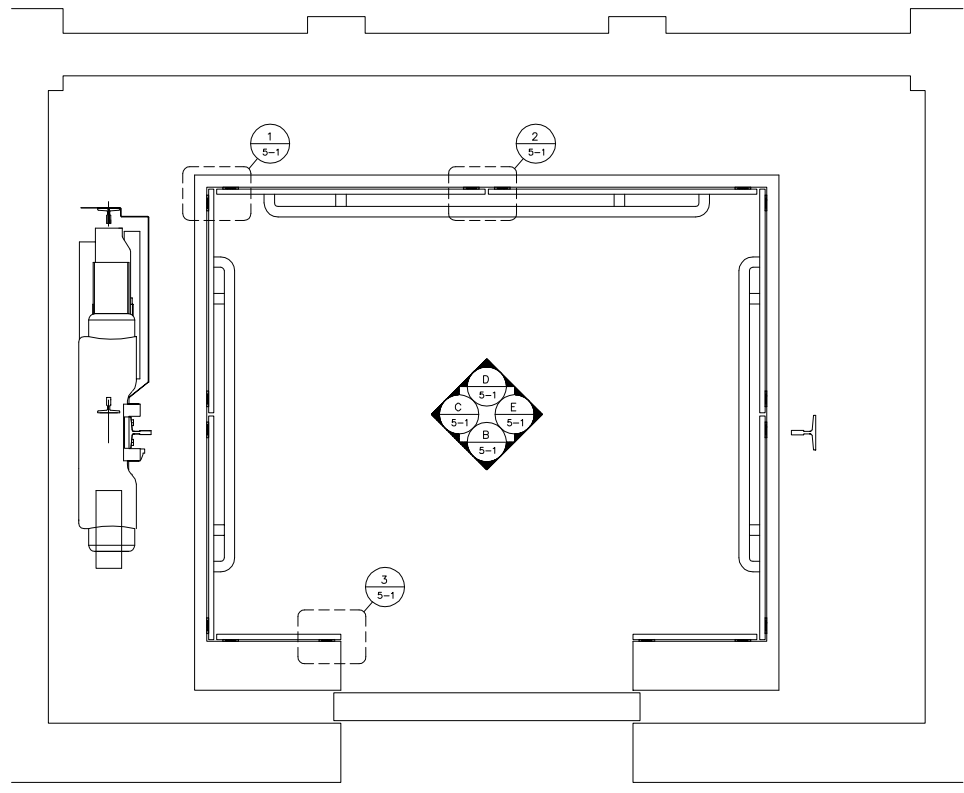
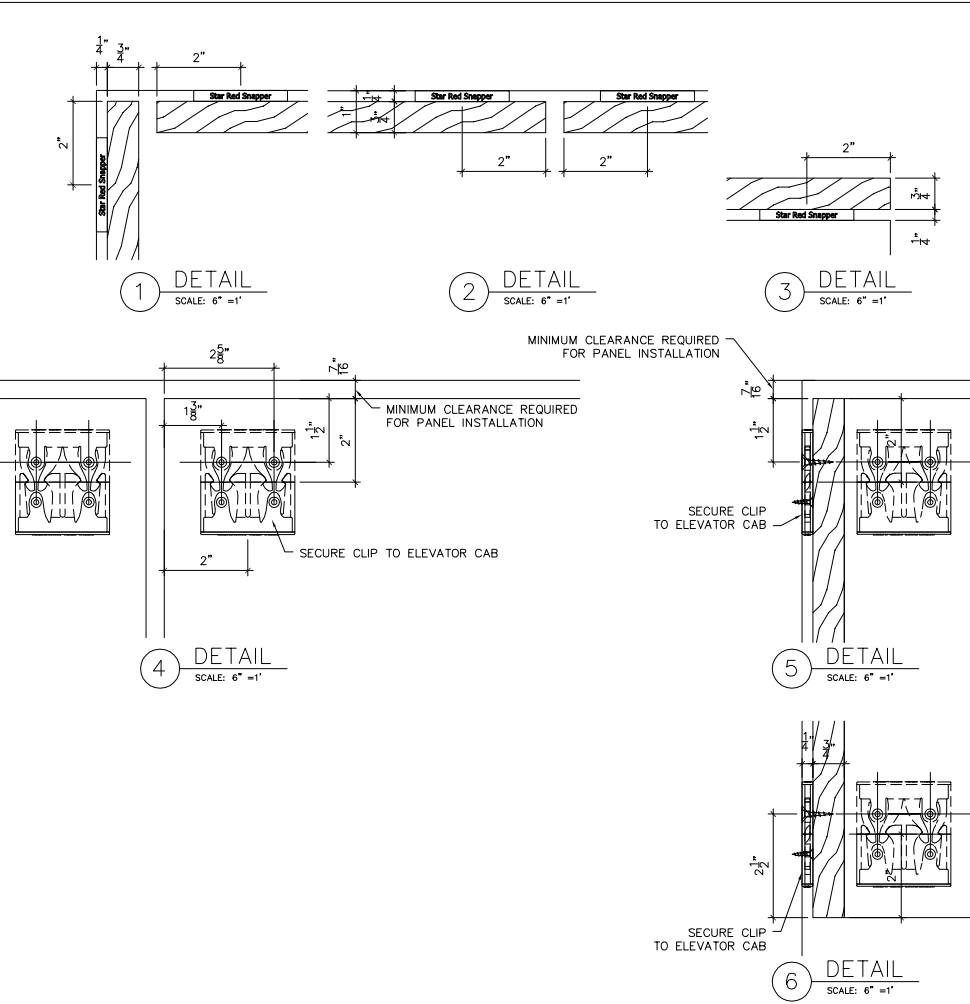


APPROVAL SIGNATURE:	
DRAWING TITLE:	4-3 DETAILS
HARDWARE DESCRIPTION:	STAR 'S' CLIP
SHEET:	4-3

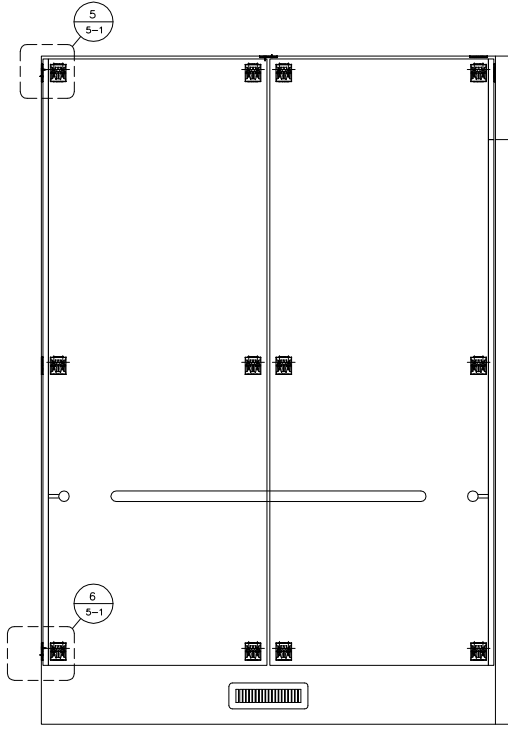
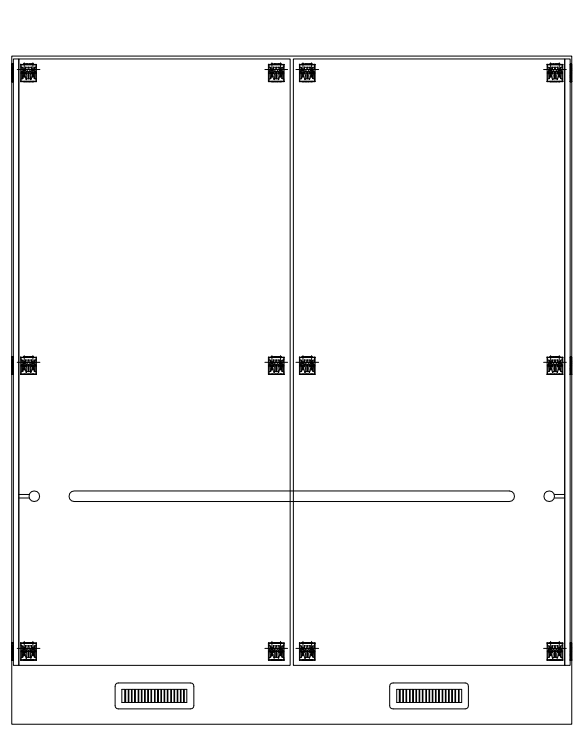
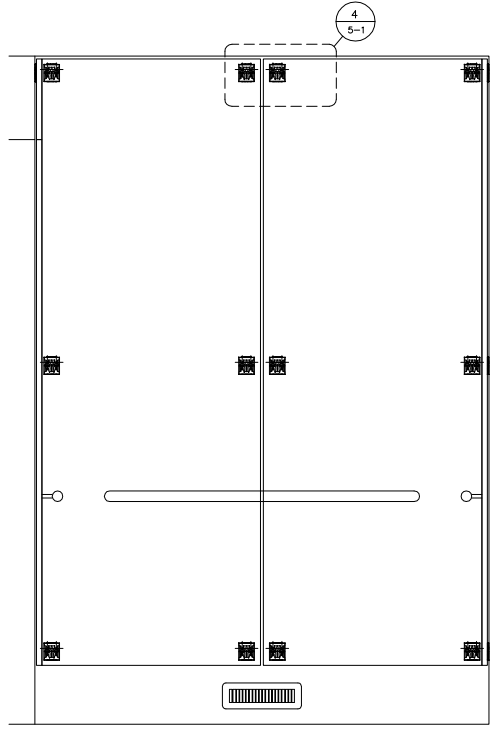
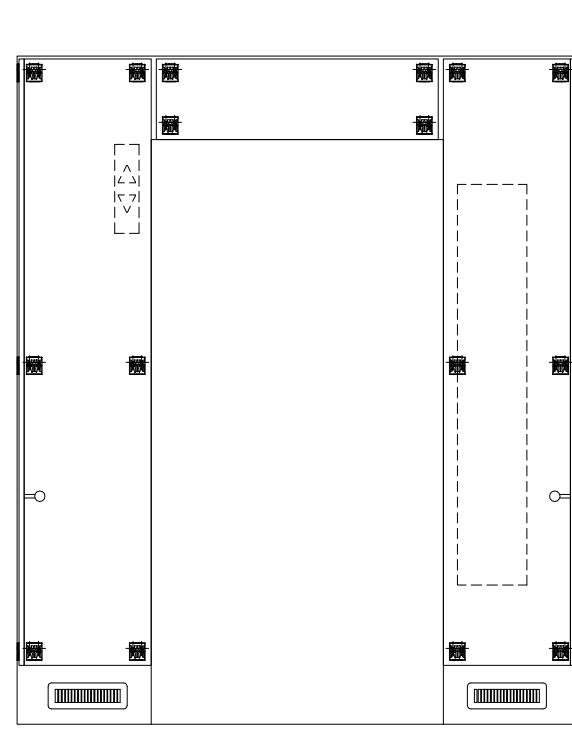
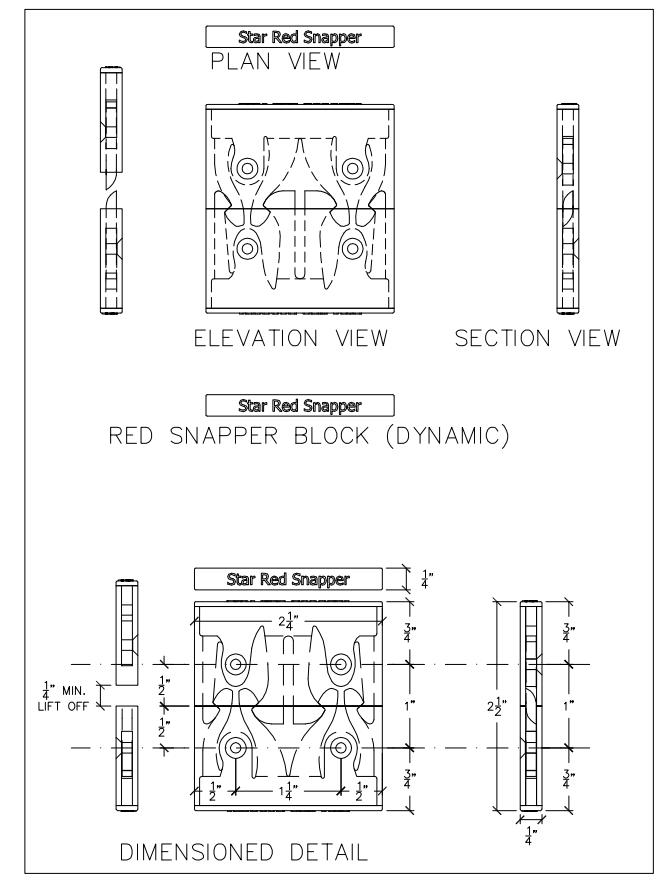
**Star Hanger systems**  
"The Innovative Panel Hanging Partner"

www.starhanger.com

Presents:  
**Star Hanger Systems**  
Architectural Wood Work  
Elevations & Details



BLOCKS INCLUDED IN THIS SET OF DRAWINGS:



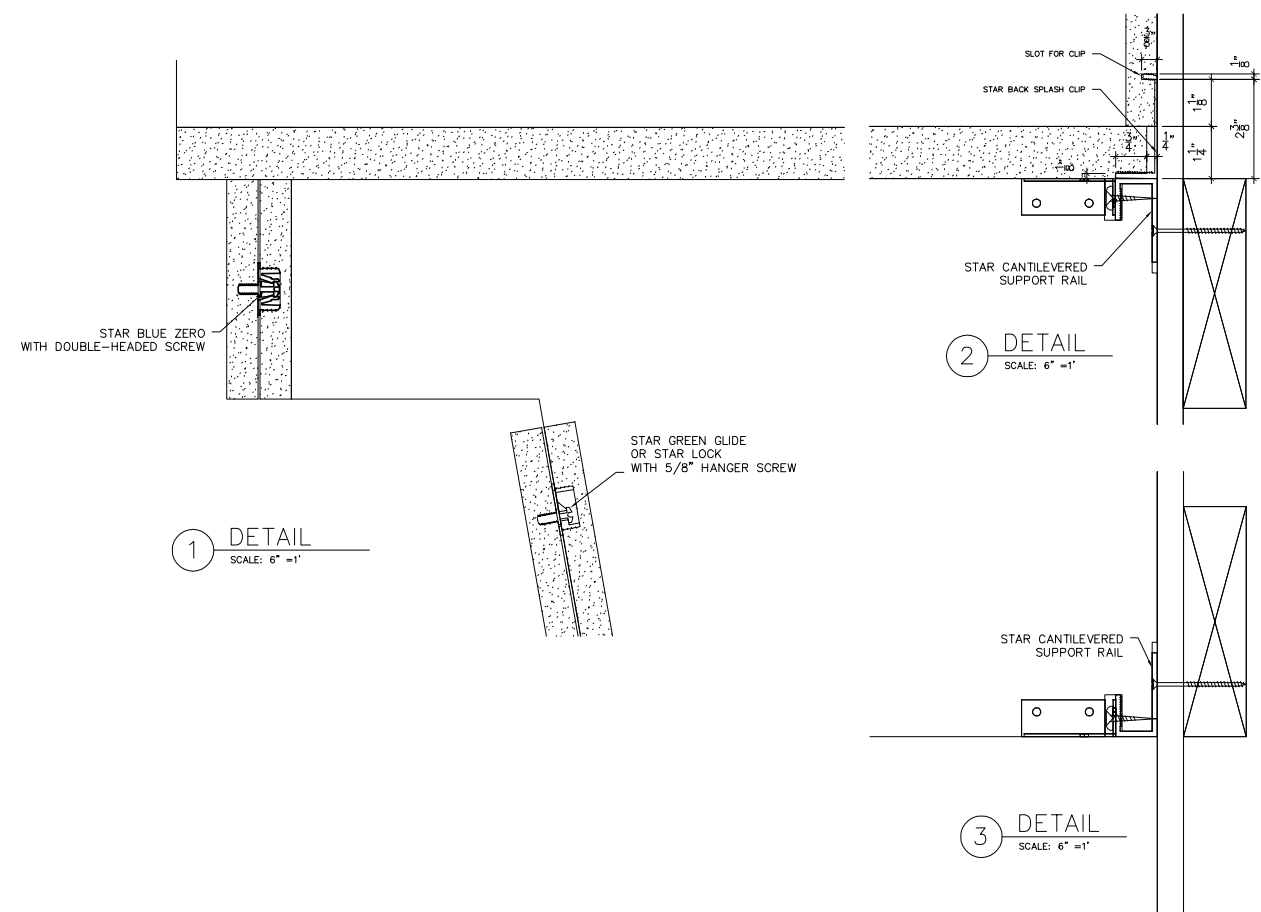
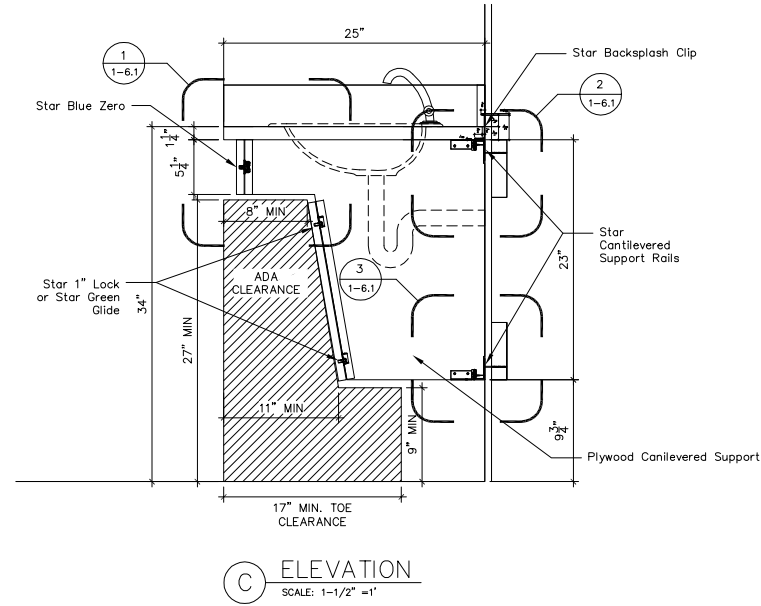
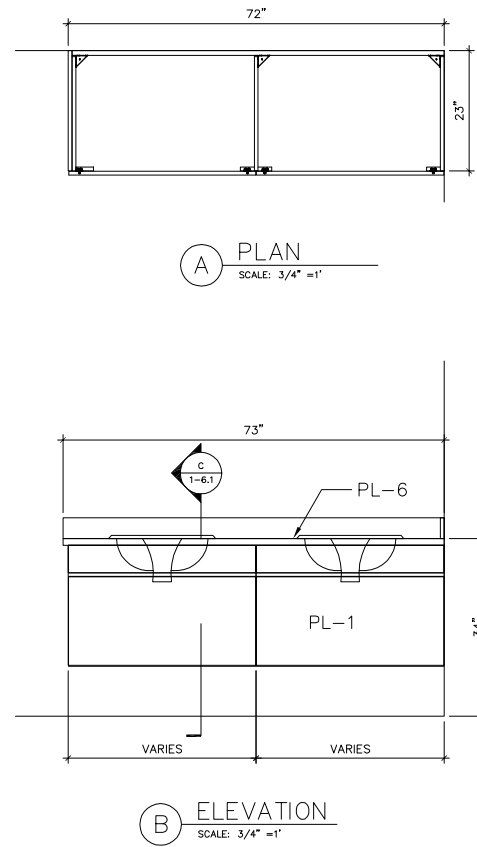
APPROVAL SIGNATURE:

DRAWING TITLE:  
5-1 PLAN, ELEVATIONS & DETAILS

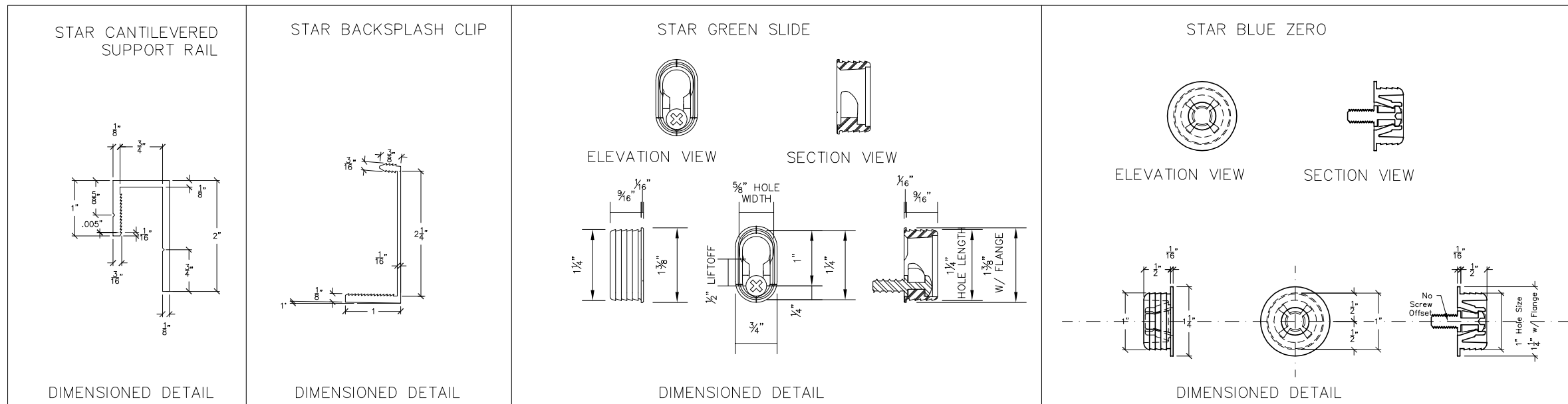
HARDWARE DESCRIPTION:  
STAR RED SNAPPER

SHEET:  
5-1

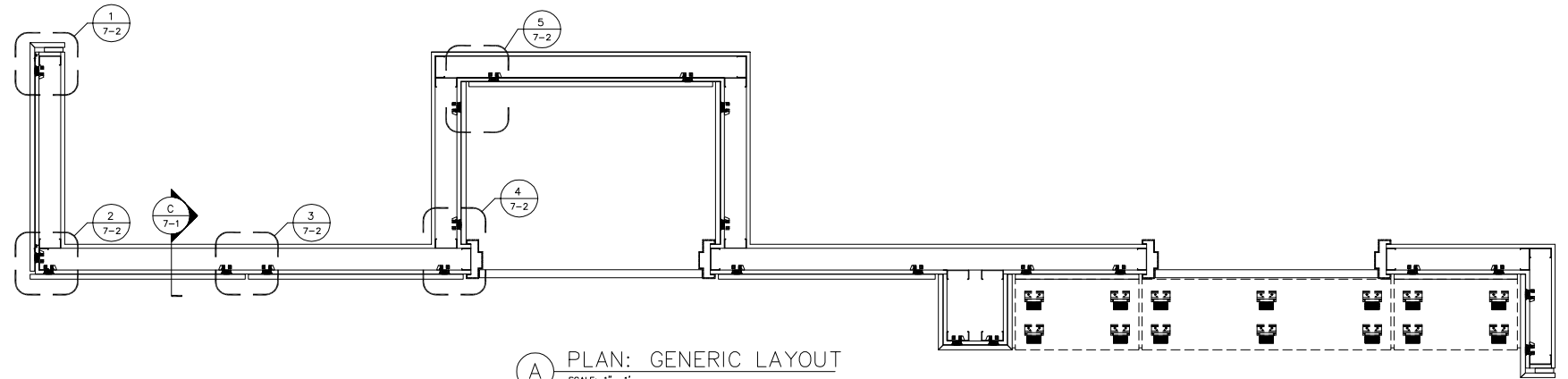




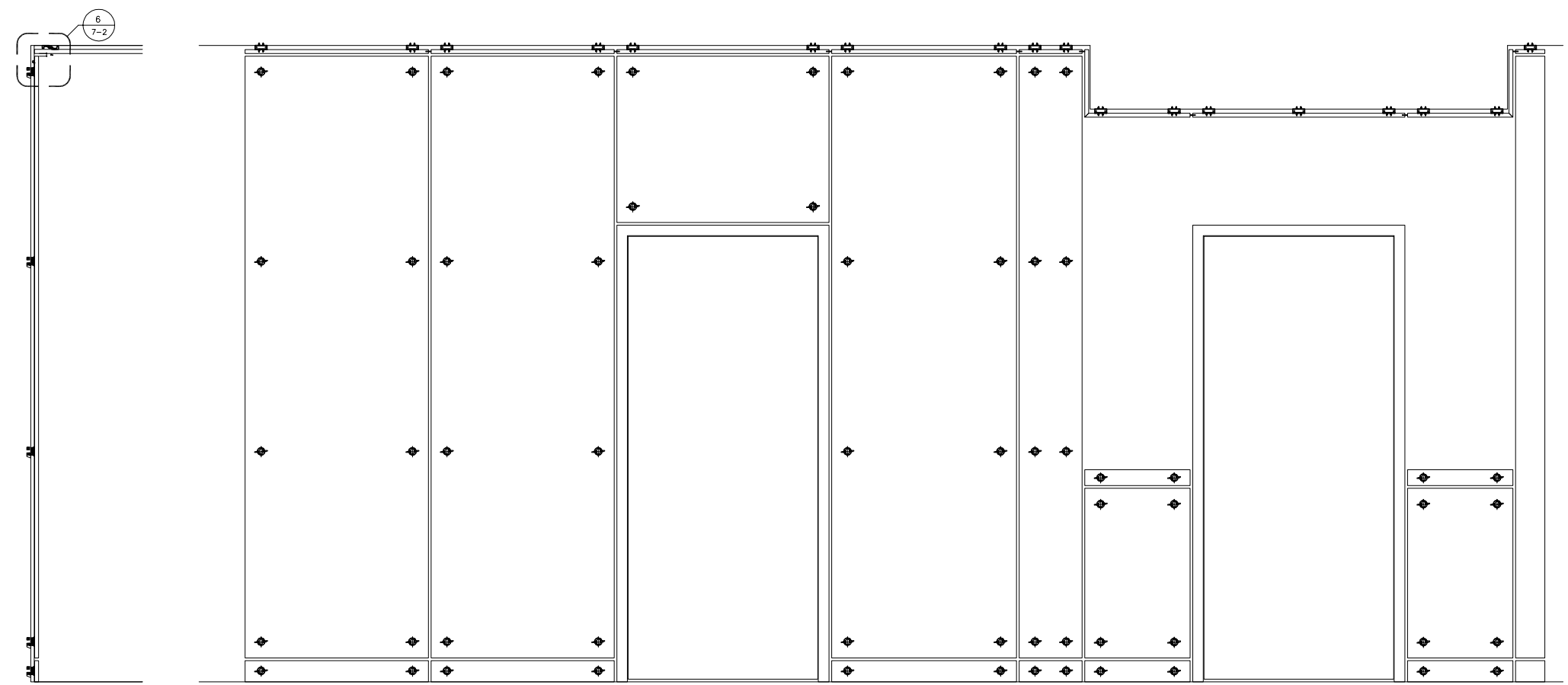
BLOCKS INCLUDED IN THIS SET OF DRAWINGS:



<p>APPROVAL SIGNATURE:</p> <p>DRAWING TITLE: 6-1 PLAN, ELEVATION &amp; DETAILS</p> <p>HARDWARE DESCRIPTION: ADA VANITY</p> <p>SHEET: 6-1</p>	<p><b>Star Hanger systems</b> "Your Innovative Panel Hanging Partner"</p> <p>www.starhanger.com</p> <p>Presents: Star Hanger Systems Architectural Wood Work Elevations &amp; Details</p>
--	---



**A** PLAN: GENERIC LAYOUT  
SCALE: 1" = 1'



**B** ELEVATION  
SCALE: 1" = 1'

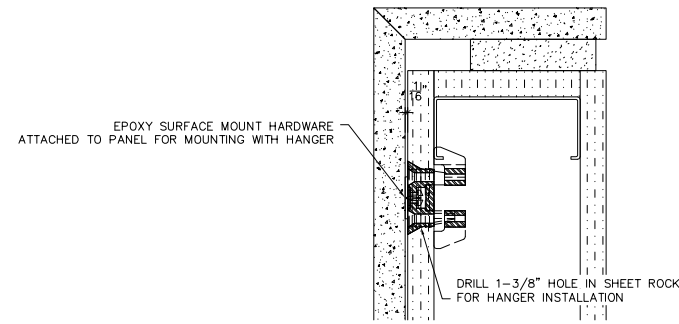
**C** SECTION  
SCALE: 1" = 1'

APPROVAL SIGNATURE:	<p>www.starhanger.com</p> <p>Presents: Star Hanger Systems Architectural Wood Work Elevations &amp; Details</p>
DRAWING TITLE:	
HARDWARE DESCRIPTION:	
SHEET:	

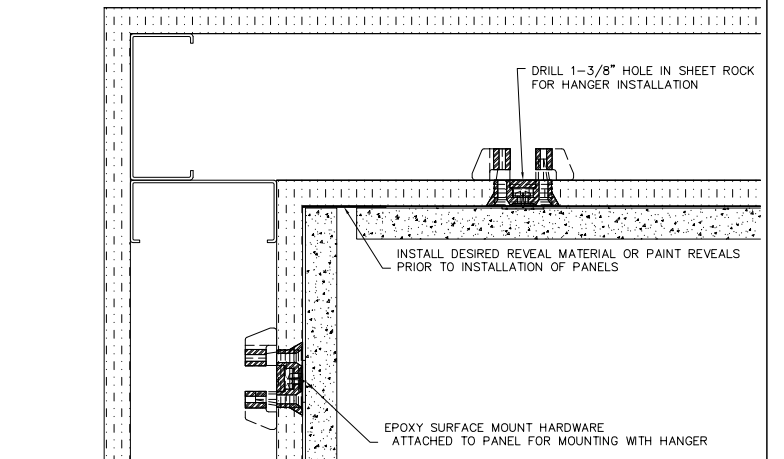
7-1 PLAN & ELEVATIONS

**STAR EPOXY MOUNT**

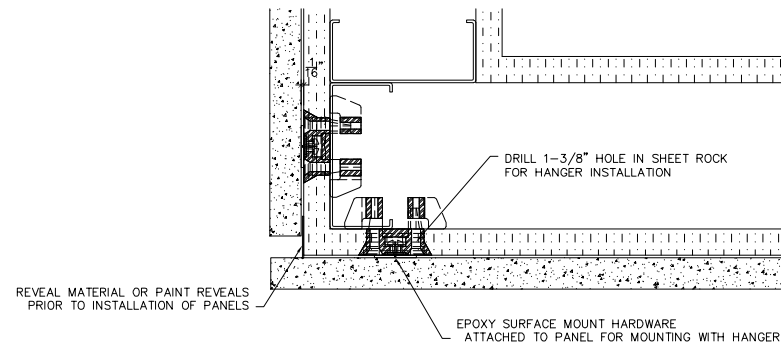
7-1



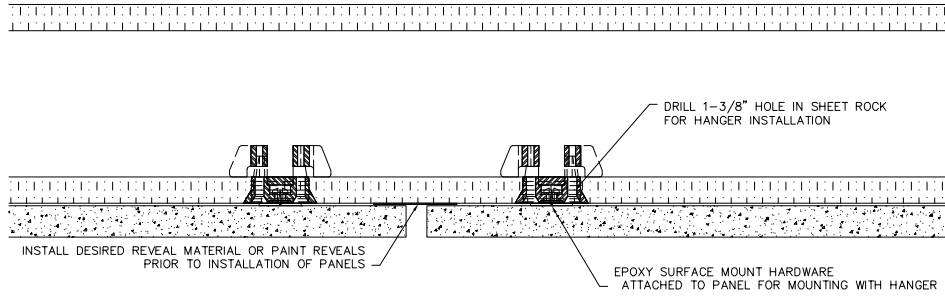
1 DETAIL  
SCALE: 6" = 1"



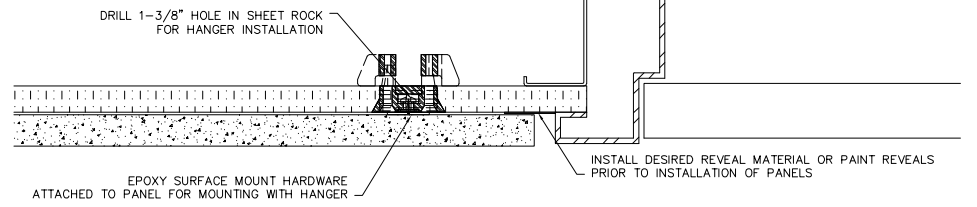
5 DETAIL  
SCALE: 6" = 1"



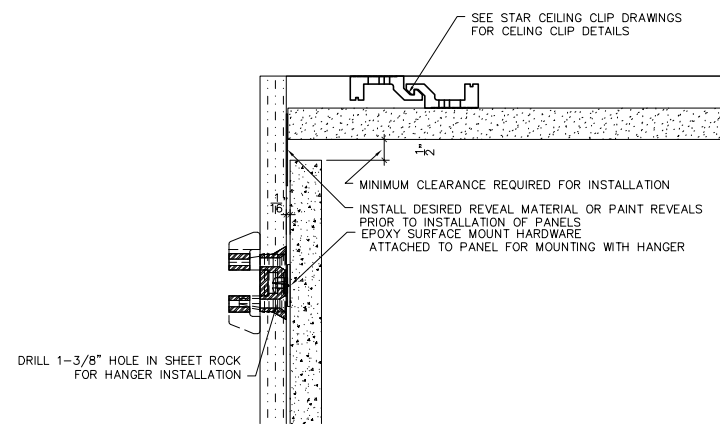
2 DETAIL  
SCALE: 6" = 1"



3 DETAIL  
SCALE: 6" = 1"

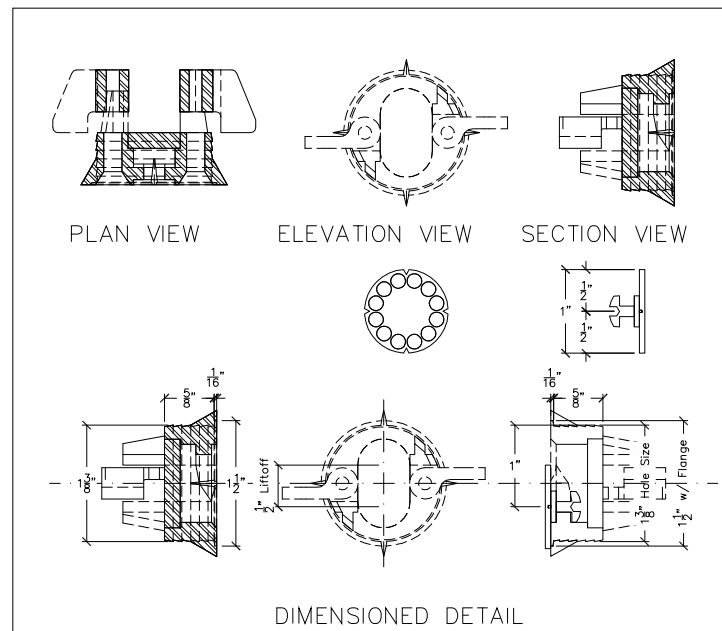


4 DETAIL  
SCALE: 6" = 1"



6 DETAIL  
SCALE: 6" = 1"

BLOCKS INCLUDED IN THIS SET OF DRAWINGS:



APPROVAL SIGNATURE:	<p>www.starhanger.com</p> <p>Presents: Star Hanger Systems</p> <p>Architectural Wood Work Elevations &amp; Details</p>
DRAWING TITLE:	
HARDWARE DESCRIPTION:	
SHEET:	

7-2 DETAILS

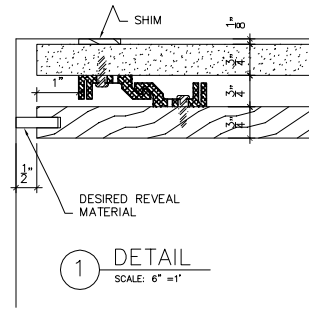
STAR EPOXY MOUNT

7-2

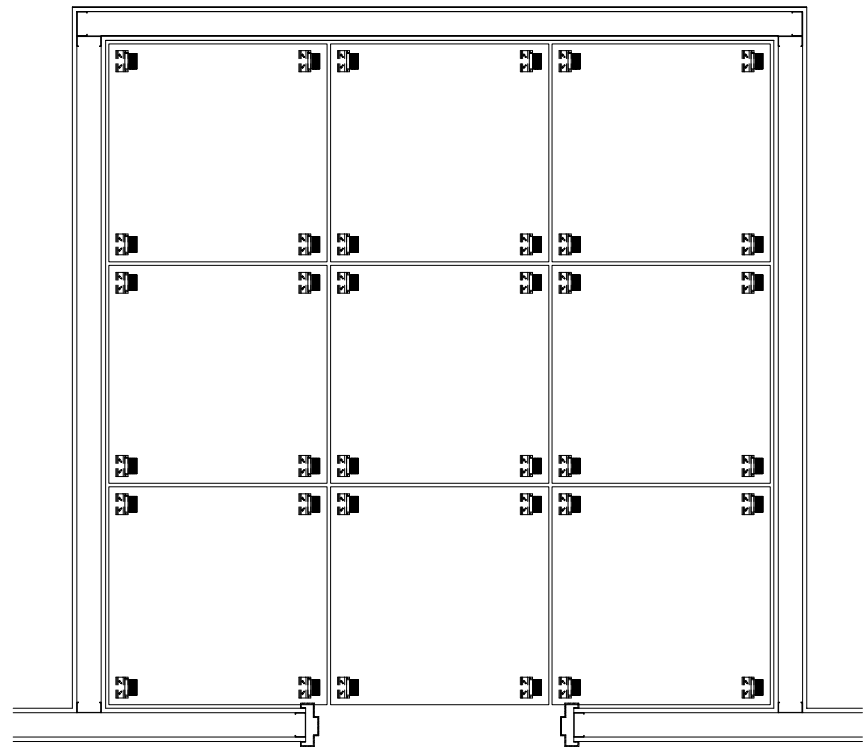




**B** ELEVATION  
SCALE: 1" = 1"

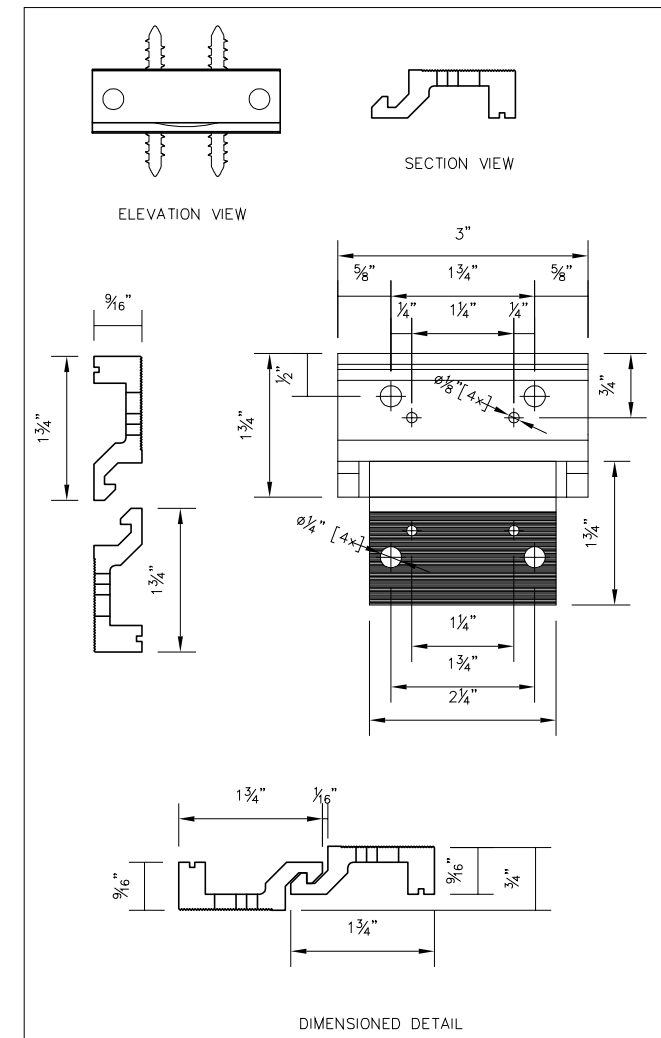



**1** DETAIL  
SCALE: 6" = 1"



**A** REFLECTED CEILING PLAN: GENERIC LAYOUT  
SCALE: 1" = 1"

BLOCKS INCLUDED IN THIS SET OF DRAWINGS:

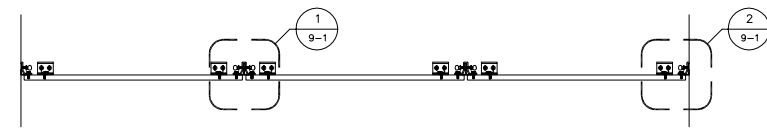


APPROVAL SIGNATURE:	 www.starhanger.com Presents: Star Hanger Systems Architectural Wood Work Elevations & Details
DRAWING TITLE:	
HARDWARE DESCRIPTION:	
SHEET:	

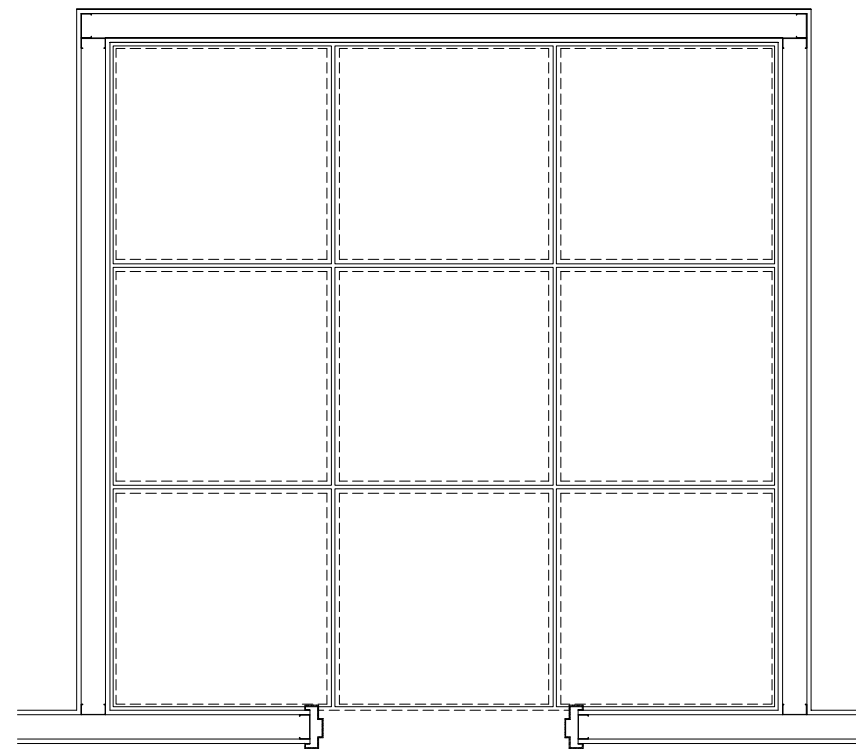
8-1 PLAN, ELEVATIONS & DETAILS

STAR CEILING CLIP

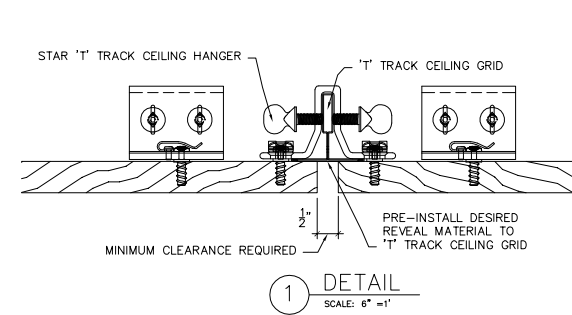
8-1



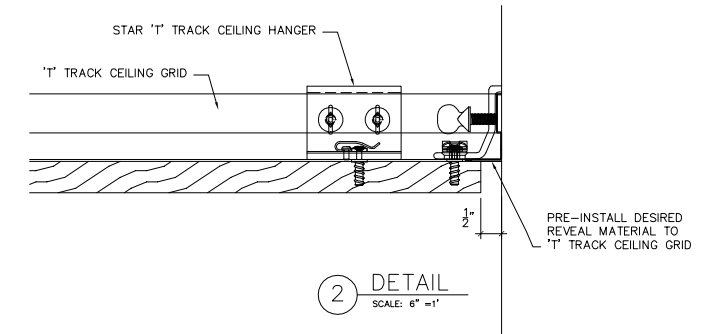
(B) ELEVATION  
SCALE: 1" = 1'



(A) REFLECTED CEILING PLAN: GENERIC LAYOUT  
SCALE: 1" = 1'

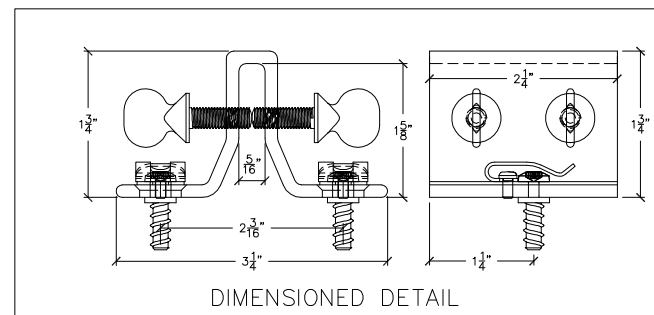


(1) DETAIL  
SCALE: 6" = 1'



(2) DETAIL  
SCALE: 6" = 1'

BLOCKS INCLUDED IN THIS SET OF DRAWINGS:



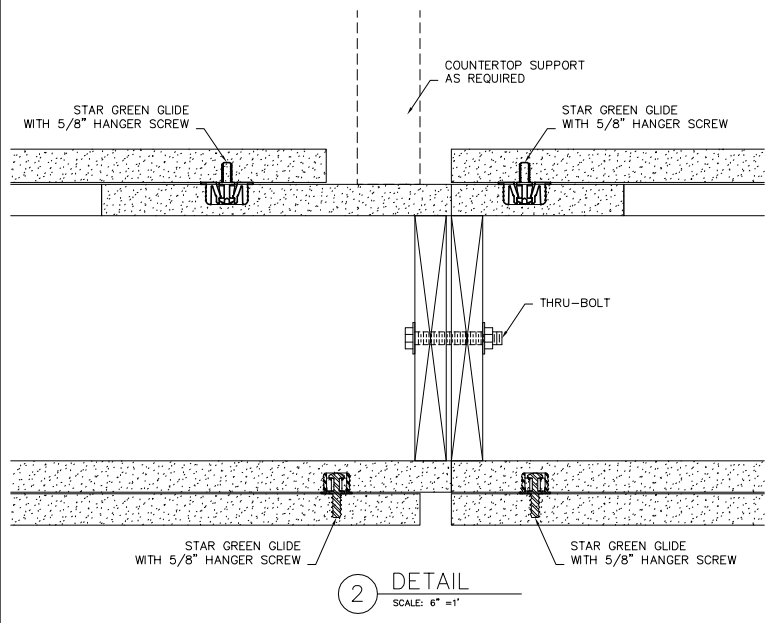
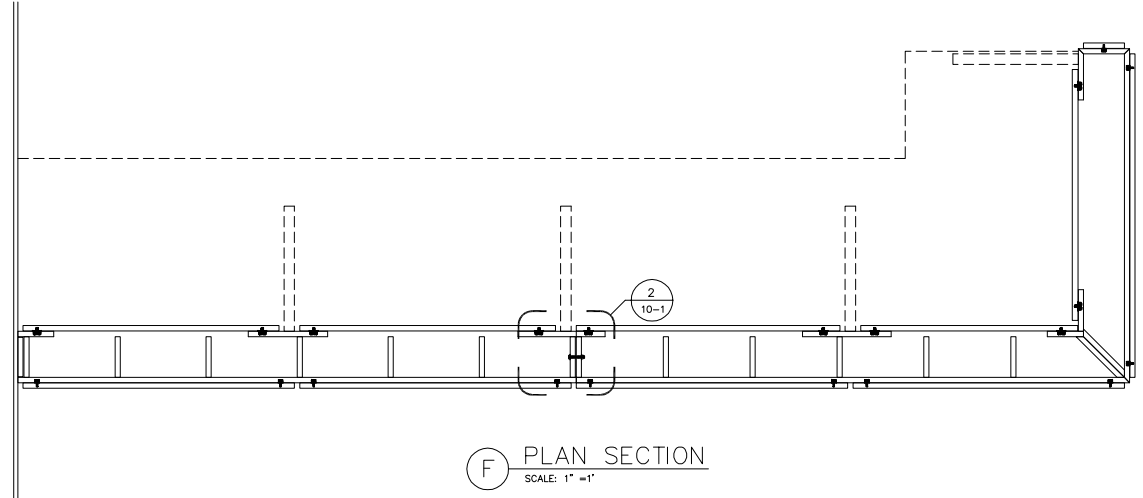
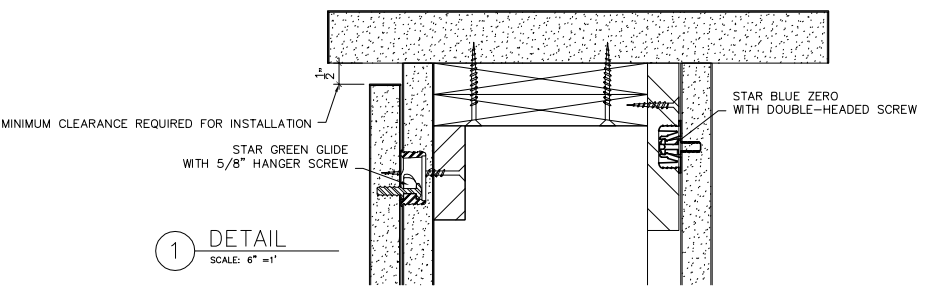
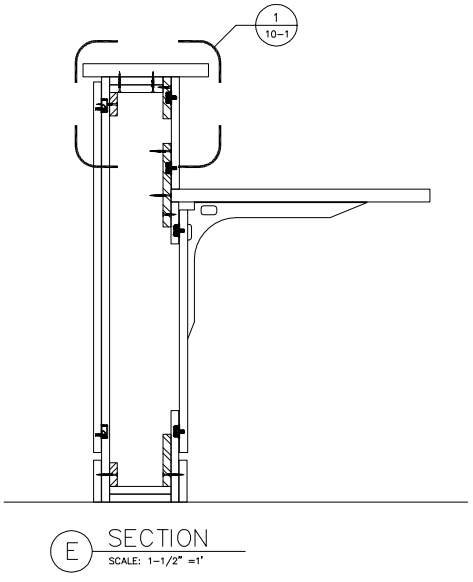
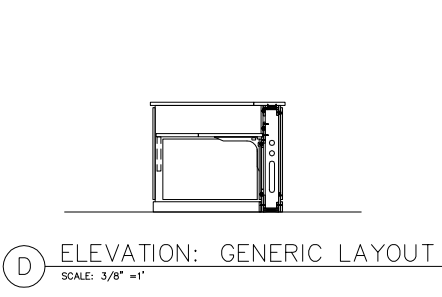
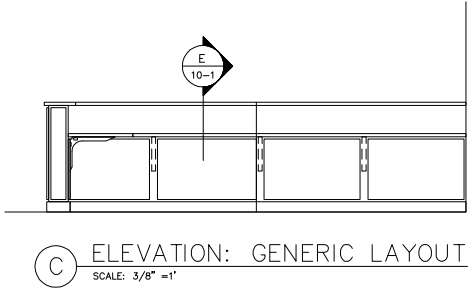
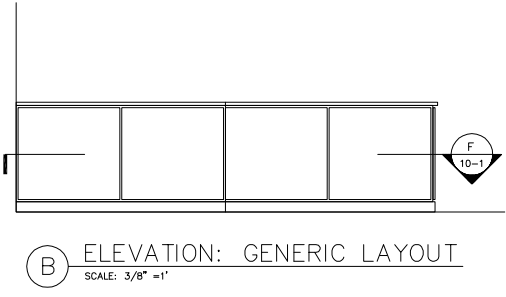
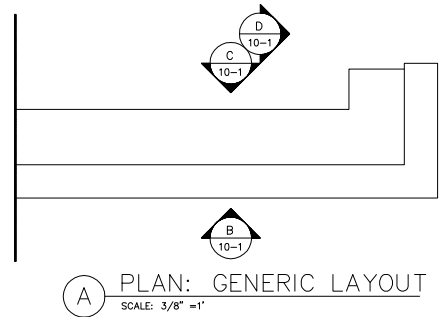
DIMENSIONED DETAIL

APPROVAL SIGNATURE:	
DRAWING TITLE:	9-1 REFLECTED PLAN & DETAILS
HARDWARE DESCRIPTION:	STAR 'T' HANGER
SHEET:	9-1

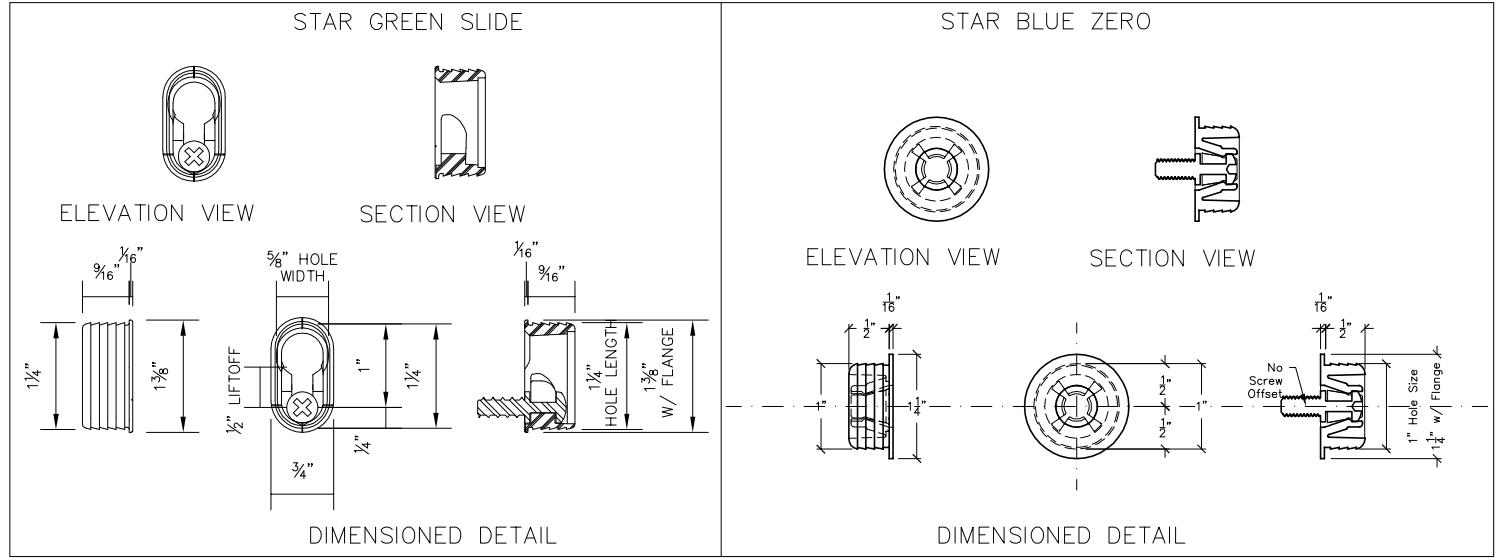
**Star Hanger systems**  
"The Innovative Panel Hanging Partner"

www.starhanger.com

Presents:  
**Star Hanger Systems**  
Architectural Wood Work  
Elevations & Details



BLOCKS INCLUDED IN THIS SET OF DRAWINGS:



APPROVAL SIGNATURE:

DRAWING TITLE: 10-1 PLAN, ELEVATIONS & DETAILS

HARDWARE DESCRIPTION: DIE WALL APPLICATION

SHEET: 10-1

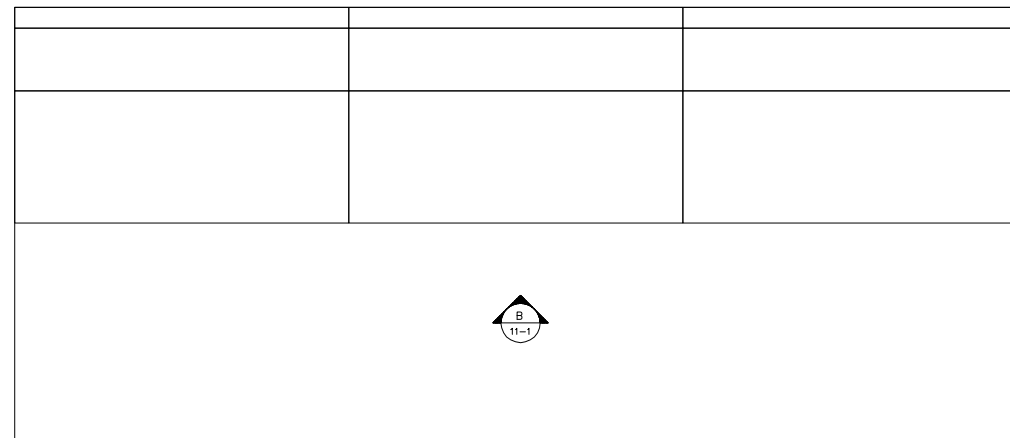
**Star Hanger systems**

"The Innovative Panel Hanging System"

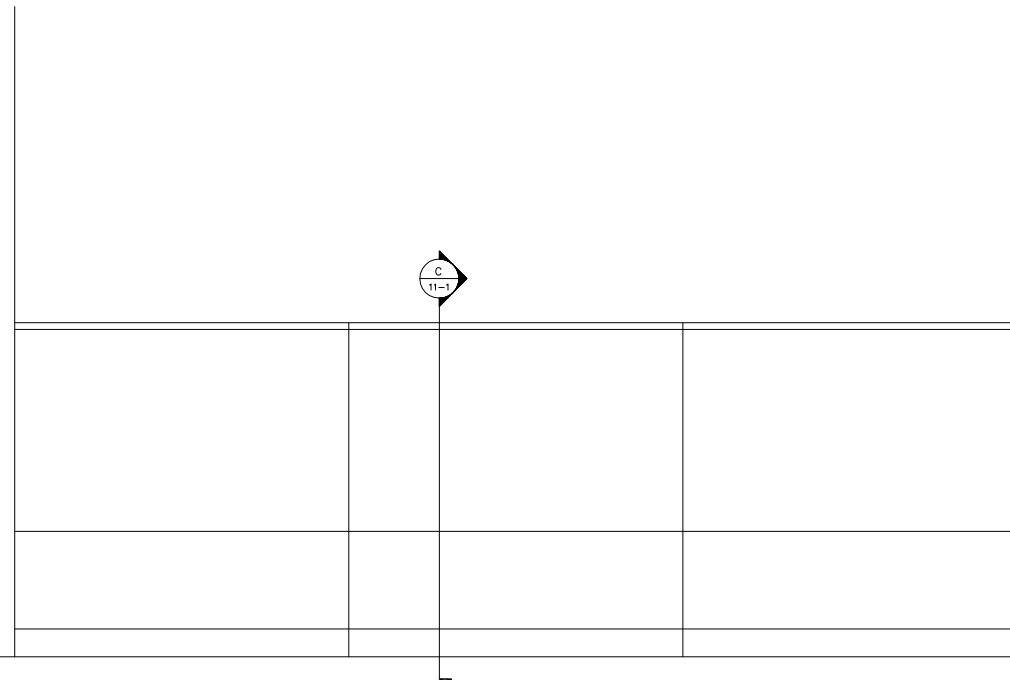
www.starhanger.com

Presents: Star Hanger Systems

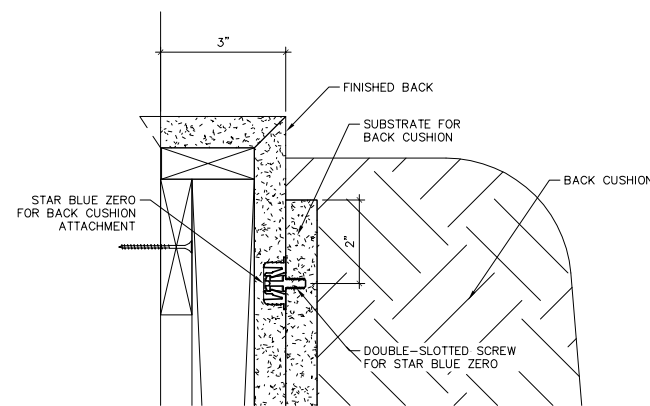
Architectural Wood Work Elevations & Details



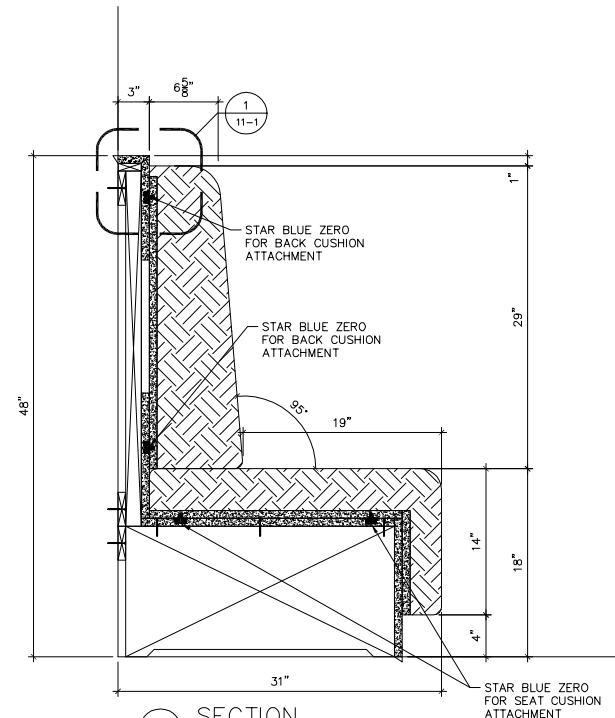
A PLAN: GENERIC LAYOUT  
SCALE: 1" = 1'



B PLAN: GENERIC LAYOUT  
SCALE: 1" = 1'

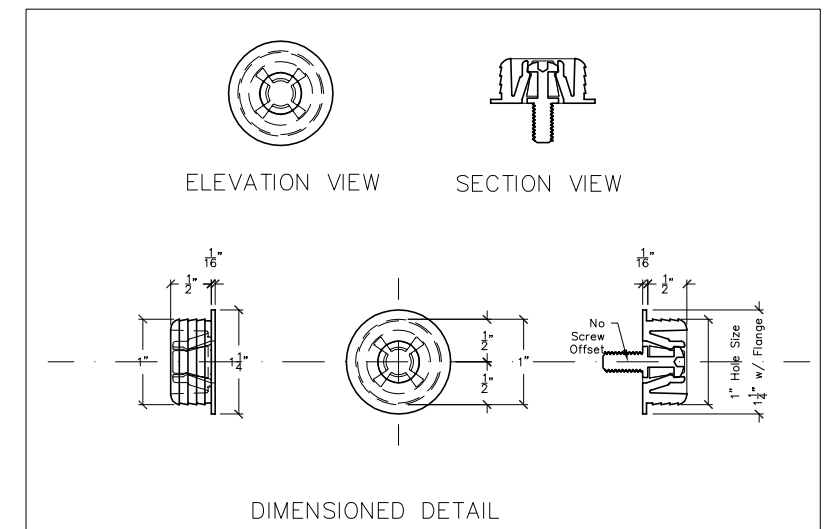


1 DETAIL  
SCALE: 6" = 1'



C SECTION  
SCALE: 1-1/2" = 1'

BLOCKS INCLUDED IN THIS SET OF DRAWINGS:



APPROVAL SIGNATURE:	
DRAWING TITLE:	11-1 PLAN, ELEVATION & DETAILS
HARDWARE DESCRIPTION:	STAR BANQUETTE
SHEET:	11-1

**Star Hanger systems**  
"Your Innovative Panel Hanging Partner"  
www.starhanger.com  
Presents: Star Hanger Systems  
Architectural Wood Work Elevations & Details