



DESCRIPTION

The 234 Mounting Euro Screw is a unique screw designed to be used with Star Hangers Systems insert fasteners from the 200 Series. The 234 Mounting Euro Screw consists of 4 components; Head, Neck (Gap), Shoulder (permanent washer), and Thread.

Note: Do not overtighten or countersink the screw or it will no fit into the insert. Screw can be adjusted to accommodate for uneven surfaces.

SPECIFICATIONS

SUGGESTED MATERIALS: Wood, MDF, Particle Board, Plywood, Solid Lumber

SCREW HEAD: #10 Pan Head

SCREW NECK LENGTH: 1/8" Gap

SCREW SHOULDER: 1/16" Thick x 3/8" Diameter

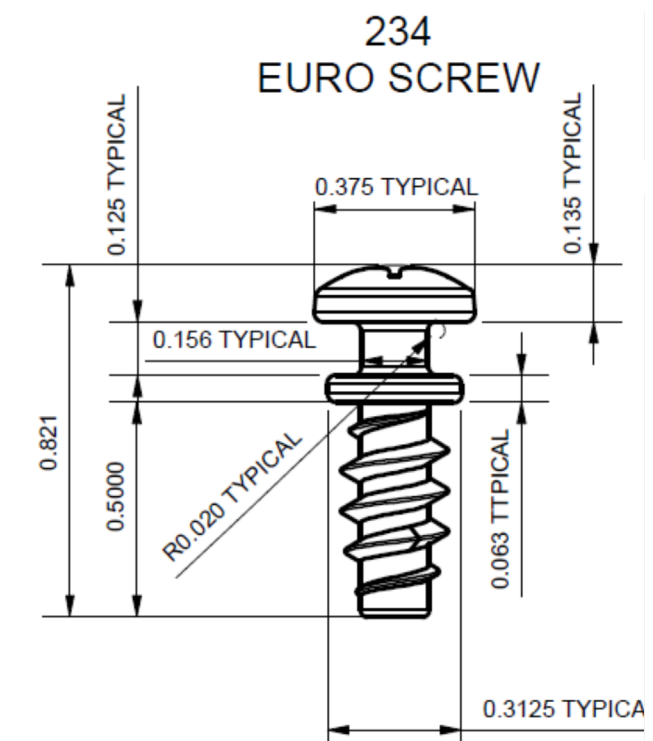
SCREW THREAD: 1/2" Length, Euro Thread Pattern

HOLE SIZE: 5mm

STOCK SIZE: Sold in packs of 10, 100, 500 (comes with 224-227 Galaxy unless specified without screws)

PRICING: Wholesale pricing available at www.starhanger.com

MATERIAL: Zinc Coated Steel



COMPATIBLE PRODUCTS & TOOLS

913 Pilot Drill & Stop

224-227 Galaxy

Additional Resources available at:
www.starhanger.com

Downloadable Installation Guides, Catalogs, Animation video, Shop Demonstration Videos, Downloadable CAD Files, Specification Sheets, Sales & Technical Contacts, Samples, and More...

Manufactured in Columbia, SC by
STAR HANGER SYSTEMS, LLC