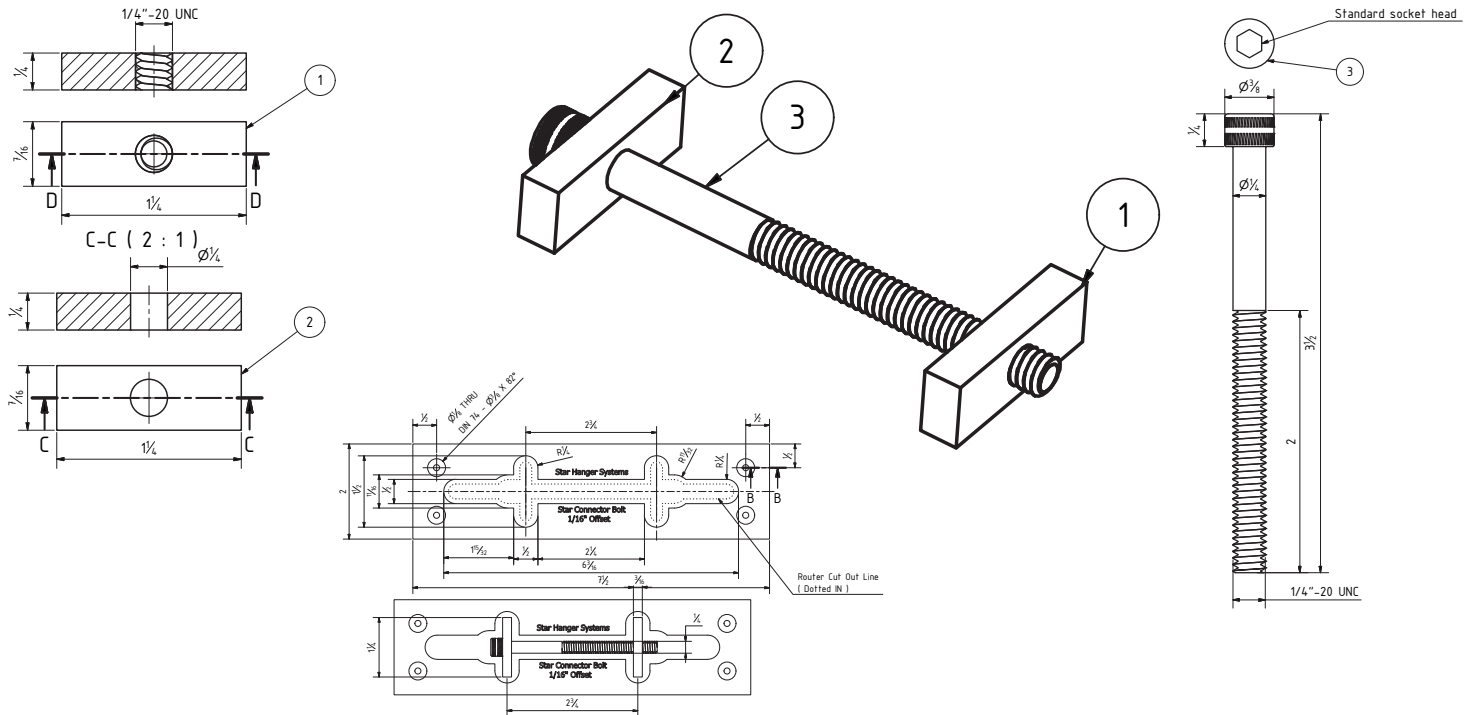


DESCRIPTION

The Star Countertop Bolt is an improved joint fastener, which tightly draws large countertops and other heavy items together. The Countertop Bolt is a custom made 1/4" x 3-1/2" x 3/16" hex socket (Allen) head which allows for easier and faster installation when used with the Star Ball-end Allen wrench. Quick and easy installation is also aided with our custom router template and the Star router bit. The Countertop Bolt is a high strength tempered Allen bolt and is the strongest countertop bolt available.

Note: For fast shop execution, both CAD files and a CNC cut 3/8" phenolic template are available.



INSTALLATION

The Countertop Bolt is installed in a routed pocket just like a traditional countertop bolt. However, our bolt has an Allen head, which allows tightening with a standard ball end Allen wrench. When used in combination with a hand drill, this vastly speeds up installation times.

Please see www.Starhanger.com > Technical for complete Installation Guide

OTHER COUNTERTOP BOLT RESOURCES

SHOP DRAWINGS:

<https://www.starhanger.com/pages/downloadable-drawing>

INTRODUCTION ANIMATIONS:

<https://www.starhanger.com/pages/animation-videos-info>

INSTRUCTION VIDEOS:

www.starhanger.com/pages/installation-videos

PRODUCT SPECIFICATION:

www.starhanger.com/pages/product-specifications

SALES & GENERAL QUESTIONS:

Sam Porter, P. 803-250-9608 E. sporter@starhanger.com

TECHNICAL QUESTIONS:

Charles Porter, P. 803-730-4463 E. cporter@starhanger.com

STRENGTH TESTING

In most cases the material being connected will be the point of weakness. The Star Countertop Bolt is made of mild steel, heat treated to n-5, and holds over 2,000 lbs.

With 3/4" - 45 lb. Particle board. Board Density: Tested With Flakeboard Vesta, Internal Bond 70 Psi, Density 45 Pcf. Penetration Depth: 5/8". Bolt: 1/4-20 X 3 1/2" Allen Head Draw Bolt. Moisture Content: Maximum 10%

- **Working strength:** (pulling slot together) = 100 lbs.
- **Bolt strength:** at over 2,000 lbs. Far exceeds the strength of the particleboard slot*

Source: Asme b1-1_2003_r2008, machine screw thread sizes

Astm f3042-13, nonferrous hex socket, slotted headless, and square head

USEFUL ACCESSORIES:

Countertop Bolt, Ball End Allen Wrench, SKU 365

Countertop Bolt, Router Template SKU, 370

Router Bit, works with all Star Templates, SKU 915

ORDER: STAR COUNTERTOP BOLT SKU 321