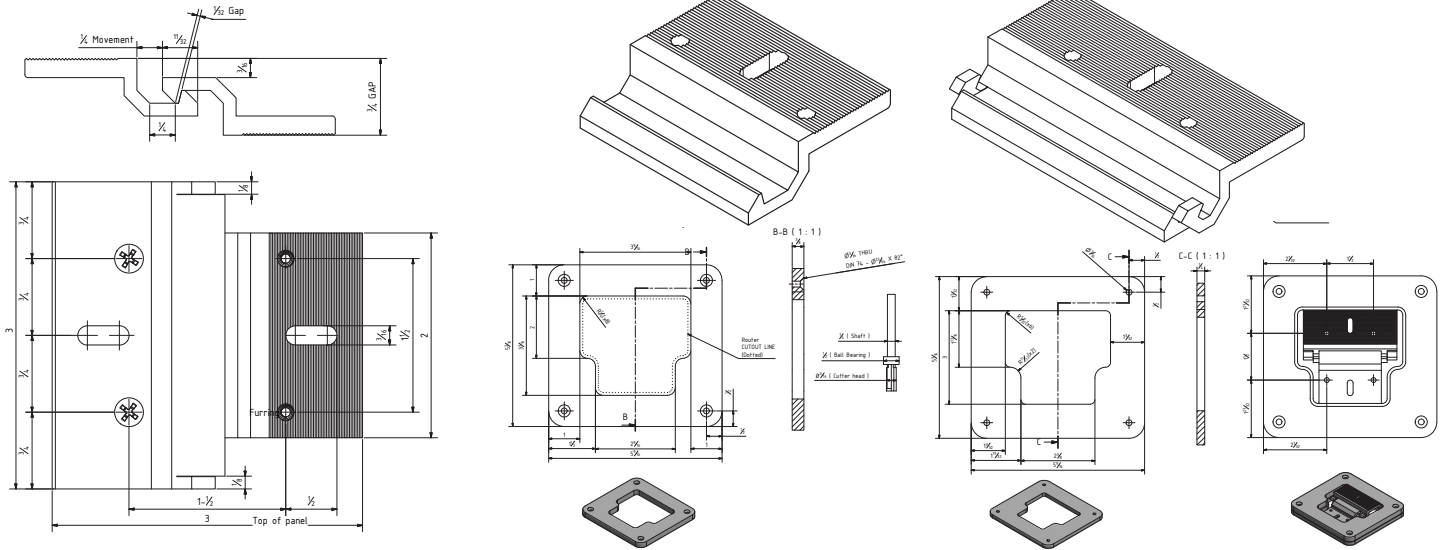


DESCRIPTION

The Star Ceiling Clip is a hidden ceiling panel mounting system that allows panels to be pertinently removable.. The Star Ceiling Clip is a high-performance replacement for the standard Z type clip that is typically used to hang ceiling and other panels. No manufacture currently recommends the use of standard Z Clips because panel continually expand and contract in size. This movement has a tenancy to pull and push against the clip. Over time this creeping action can literally move the panel off its clips. The Star Ceiling Clips have a mechanical locking edge that physically prevent the clips pulling off the edge. They offer improved stability and safety. The clips come as a pair in two halves, single pieces, or 12' lengths and single clips. In both cases, one clip is attached to ceiling furring, while the other is attached to the panel backs (screws supplied) in a corresponding location. Accurate alignment can be achieved using our template (Ceiling Clip template SKU 921). The panels are then lifted into place and locked by dropping and coupling the clips into place. (A small reveal may be required.)

Panel position is adjustable up to a 1/4".



SPECIFICATION

MATERIAL: Extruded Aluminum Alloy 6063, tempered to T5, the screws are mild steel with a zinc coating

BENEFITS: This is a unique fastener that directly clips panels to ceilings, while remaining removable and vibration resistant; with a mechanical lock that holds the panels firmly in place and aligned. The panel position is adjustable up to a 1/4" allowing for material expansion. The panels can be held and position by adding small amounts of silicone where the clips meet.

SPACING: 4 clips per panel or maximum 24" o.c.

LOAD: Typical weight per clip: Max 25lbs per clip. (Panel and furring strength will usually be the limiting factor.)

INSTALLATION

The Ceiling Clip Pair come in two halves, one 2" single panel clip and a 3" side locking furring clip. The 3" Clip is attached to ceiling furring, and the 2" Clip is attached to the panel backs in a corresponding location. Accurate alignment can be achieved using our Ceiling Clip Template. The panels are lifted into place and dropped 1/4" to lock them. Once locked in place, the panels can be moved, but only with coordinated lifting on all edges, clips have 1/4" vertical clearance.

OTHER STAR CEILING CLIP RESOURCES

SHOP DRAWINGS:

<https://www.starhanger.com/pages/downloadable-drawing>

INTRODUCTION ANIMATIONS:

<https://www.starhanger.com/pages/animation-videos-info>

INSTRUCTION VIDEOS:

www.starhanger.com/pages/installation-videos

PRODUCT SPECIFICATION:

www.starhanger.com/pages/product-specifications

SALES & GENERAL QUESTIONS:

Sam Porter, P. 803-250-9608 E. sporter@starhanger.com

TECHNICAL QUESTIONS:

Charles Porter, P. 803-730-4463 E.cporter@starhanger.com

STRENGTH TESTING

Tested with Flakeboard vesta; internal bond 70 psi, density 45 pcf

- Tensile Failure (Horizontal pull) = 160 lbs. / Working Strength, Pull from Furring = 25 lbs.
- Shear Failure (Vertical weight holding) = 220 lbs. / Working Strength, Weight holding = 50 lbs.

USEFUL ACCESSORIES:

Panel Adjuster, SKU 920

ORDER: Ceiling Clip, Pair (6 Mounting Screws), SKU 510

Ceiling Clip, 12 FT. Bars, (1 Bar) SKU 511

Ceiling Clip, Singles (1 Clip & 3 Mounting Screws) SKU 512

Ceiling Clip, Router Template, SKU 912