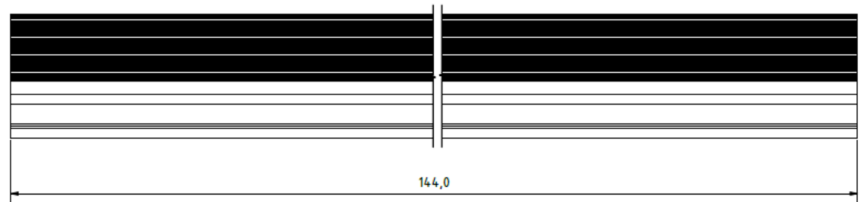


DESCRIPTION

The 511 Ceiling Clip 12ft Bar is part of the 500 Series, was designed to hang architectural panels overhead to furring or steel stud using screws or bolts. This bar has a J-Hook shape with a 1/8" deep ledge that allows an adjacent same profile clip to latch on securely while remaining fully removable. The 511 Ceiling Clip 12ft Bar is designed to mount specifically to the ceiling furring, and the 512 Ceiling Clip Single is used as the adjacent 2" clip that attaches to the panel as shown on the below diagram. The 511 Ceiling Clip 12ft Bar can lock into itself if a more custom approach is needed. This bar can be spread out up to 24" across studs, uneven surfaces, and existing drywall. The install motion is a lift-up, slide together, and drop-in from all corners. *Reverse same motion for removal.* Only 3/8" is needed for reveal area to achieve this install. (Tip: Silicon is suggested to prevent movement on the track)

Note: The 511 Ceiling Clip 12ft Bar is a high-performance replacement for the standard Z type clip that is typically used to hang ceiling and other panels. No manufacturer currently recommends the use of standard Z Clips because panel continually expand and contract in size. This movement has a tenancy to pull and push against the clip. Over time this creeping action can literally move the panel off its clips.



SPECIFICATIONS

BENEFITS: Allows ceiling panels to be mounted to both new construction, remodeling, accent panels, and in occupied spaces. Removable for future access by HVAC or Electrical Trades. Hidden for optimal aesthetic.

STOCK SIZE: L 12', W 1-5/8", H 1/2" (Custom length available upon request.)

GAP DISTANCE FROM CEILING TO PANEL: 3/4"

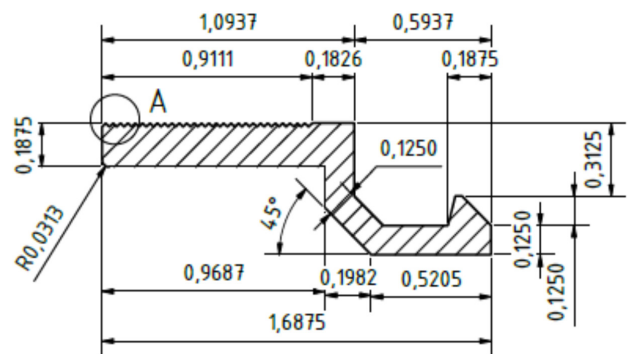
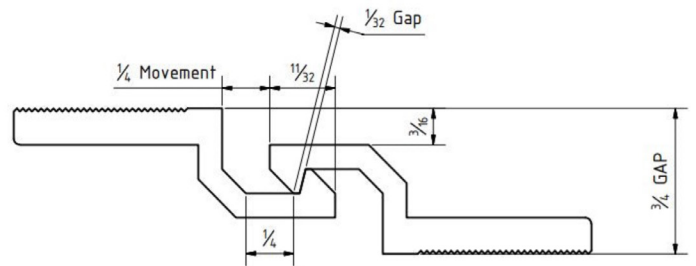
INSTALL MOTION: Coordinated level lift among all 4 corners, slide together, and drop in from all corners. *Reverse motion for removing.*

REQUIRED REVEAL: 3/8"

PROFILE DESCRIPTION: J Hook Profile with a 1/8" ledge

MATERIAL: Recycled 6061 Structural Grade Aluminum Alloy

PRODUCT INCLUDES: 1x 511 Ceiling Clip 12ft Bar



COMPATIBLE PRODUCTS

512 Ceiling Clip 2" Single (Recommended Spacing for adjacent 512 Ceiling Clip is roughly every 24")

STRENGTH TESTING

TENSILE FAILURE

(Vertical weight holding) = 150 lbs. – Working Load (weight holding) = 25 lbs.

SHEAR FAILURE

(Horizontal pull side pull) = 100 lbs. – Working Load = 15 lbs.

Additional Resources available at:

www.starhanger.com

Downloadable Installation Guides, Catalogs, Animation video, Shop Demonstration Videos, Downloadable CAD Files, Specification Sheets, Sales & Technical Contacts, Samples, and More...