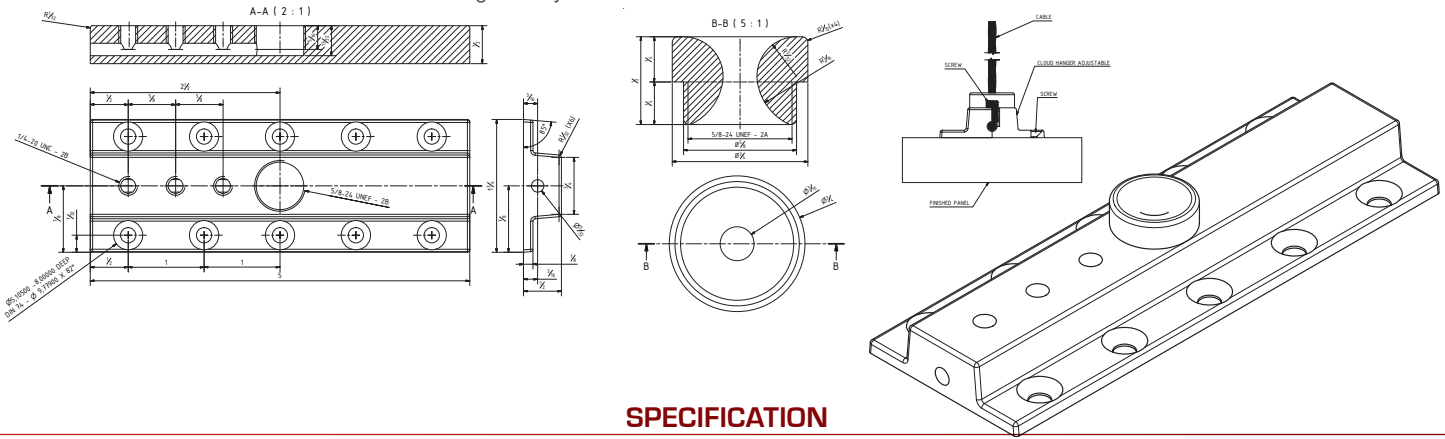


DESCRIPTION

The Cloud Hanger mounting plate makes the final connection from 1/8" cable directly to the wood panel. The Cloud Hanger cable length is quickly adjustable and the wood panel is attached with 10 pan head #8 wood screws. The large quantity of screws allows high strength even with the use of shorter screws to avoid bubbling the surface of the cloud panels. The Cloud Hanger is made from a solid 5/8" x 2" x 5-1/2" aluminum extruded bar. The cable length is easily adjusted when hanging the cloud with the 3 locking set screws. All the cable length adjustments are made at the cloud level, avoiding repeat lifts to the structural level. Cloud Hanger also has a rub protection collar which allows the panel to be mounted at up to a 30-degree angle. The Cloud Hangers are generally not seen and have an aluminum mill finish.



SPECIFICATION

MATERIAL: Extruded Aluminum Alloy 6063, tempered to T5, the screws are mild steel with a zinc coating. The Cloud Hanger mounting plate is manufactured by Star Hanger

BENEFITS: The Cloud Hanger mounting plate makes the final connection from 1/8" cable directly to the wood panel. The Cloud Hanger is inexpensive, fast, very strong, easy to install.

MOVEMENT: Cloud Hanger Mounting Plate is a fixed cable connection; therefore, the cable must bend if the panel is subject to swaying. This bending will cause metal fatigue. Cloud Hanger Mounting Plate has been tested to 1,000,000 sway cycles, at 10 degrees angle, holding 100 pounds. A fixed cable connection should not be used if the panel will be constantly subject to sway or noticeable movement.

INSTALLATION

There are three common ceiling structures that the hanging cloud will be suspended from, steel beams, concrete and wood. The type of ceiling structure determines your first steps. There are 10 screw holes drilled for # 8 x 3/4" pan head wood screws, use all the screws. Once the Cloud Hangers are firmly installed lift into place with two people and two ladders. Unscrew the friction ring and install on the cable. Feed the cable through the cable hanger and secure the cable end with needle nose vise grips. Adjust the cable length until the panel is at the right height, tighten all three Allen bolts to lock the panel into place. Firmly tighten the Allen bolts into place, however not enough to cut the cable. When adjusted, cut the unused loose cable.

Please see www.Starhanger.com > Technical for complete Installation Guide

OTHER CLOUD HANGER RESOURCES

SHOP DRAWINGS:

<https://www.starhanger.com/pages/downloadable-drawing>

INTRODUCTION ANIMATIONS:

<https://www.starhanger.com/pages/animation-videos-info>

INSTRUCTION VIDEOS:

www.starhanger.com/pages/installation-videos

PRODUCT SPECIFICATION:

www.starhanger.com/pages/product-specifications

SALES & GENERAL QUESTIONS:

Sam Porter, P. 803-250-9608 E. sporter@starhanger.com

TECHNICAL QUESTIONS:

Charles Porter, P. 803-730-4463 E. cporter@starhanger.com

STRENGTH TESTING

With 3/4" - 45 lb. particle board:

- Tensile Failure (Horizontal pull)
- Shear Failure (Vertical weight holding)

USEFUL ACCESSORIES:

Cloud Hanging, Fork Connector & 5 Ft. 1/8" Cable, SKU 622

Cloud Hanging, 1/8" Adjustable Cable Gripper, SKU 625

Cloud Hanger, 2" Adjustable Mounting Plate, SKU 630

ORDER: CLOUD HANGER, 2" ADJUSTABLE MOUNTING PLATE, SKU 630

Cloud Hanging, 1/4"-20, Beam Clamp, SKU 610
 Cloud Hanging, 1/4"-20, Concrete Bolt, SKU 612
 Cloud Hanging, Stainless 1/4" Pad Eye, SKU 614
 Cloud Hanging, Stainless 1/4"-20, Eye Bolt, SKU 615
 Cloud Hanging, Ball Connector & 5 Ft. 1/8" Cable, SKU 620