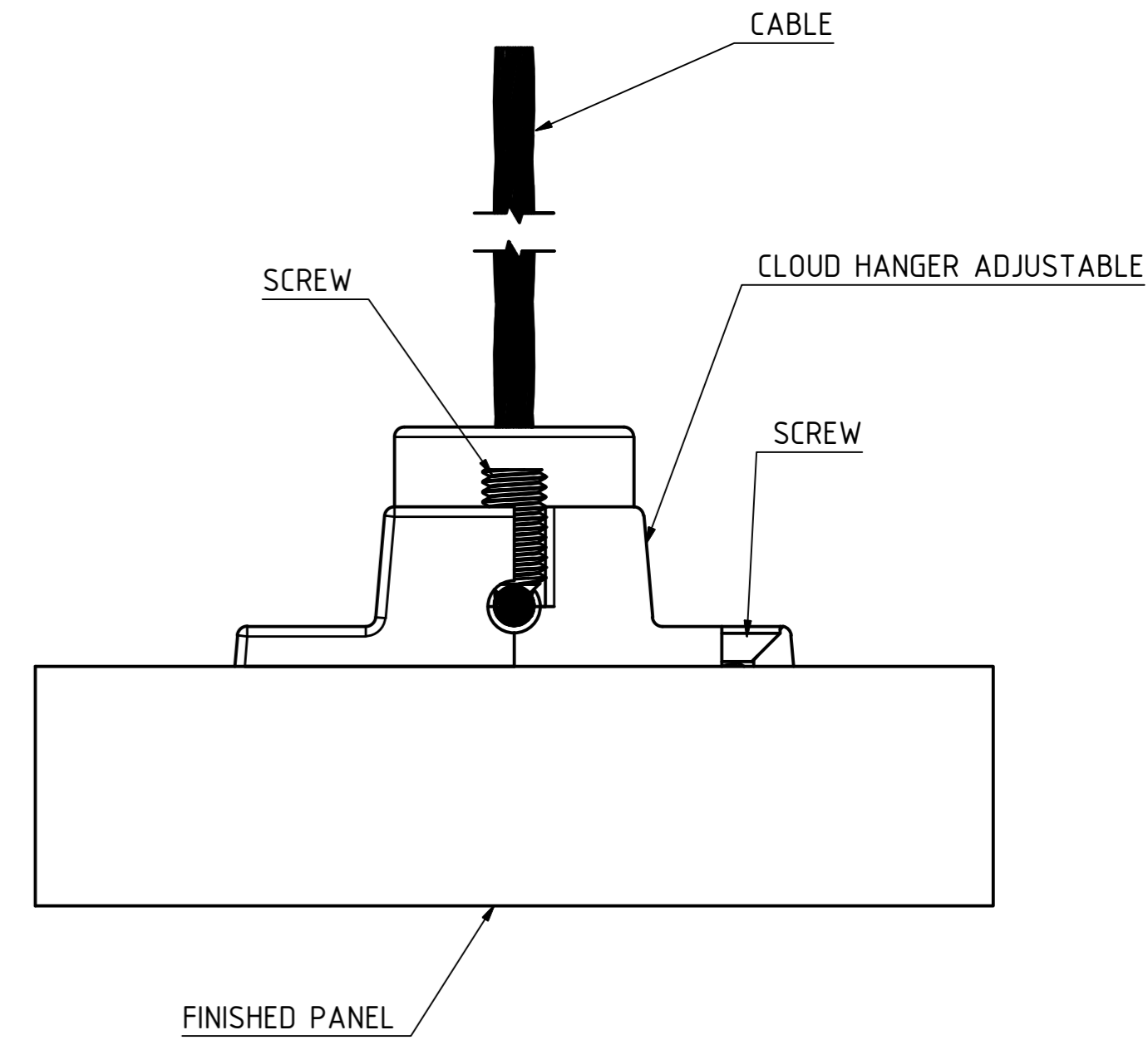
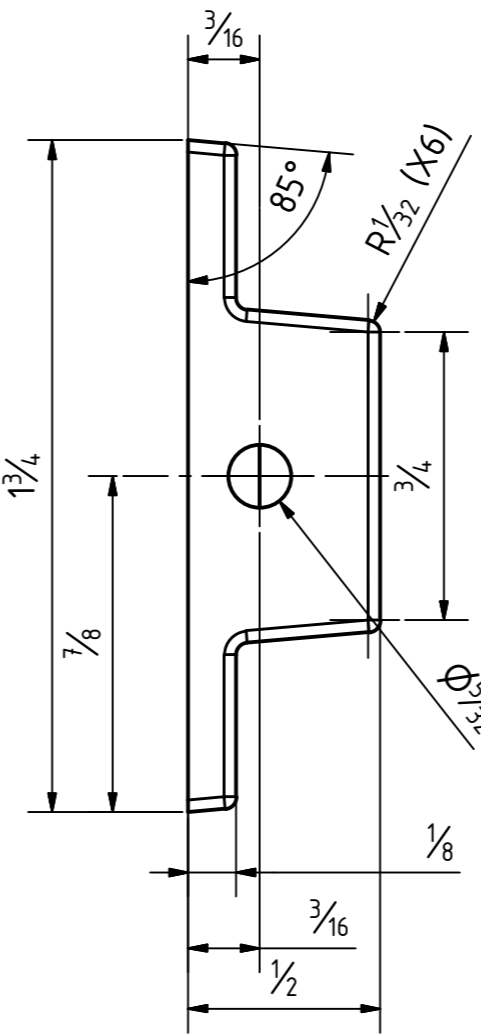
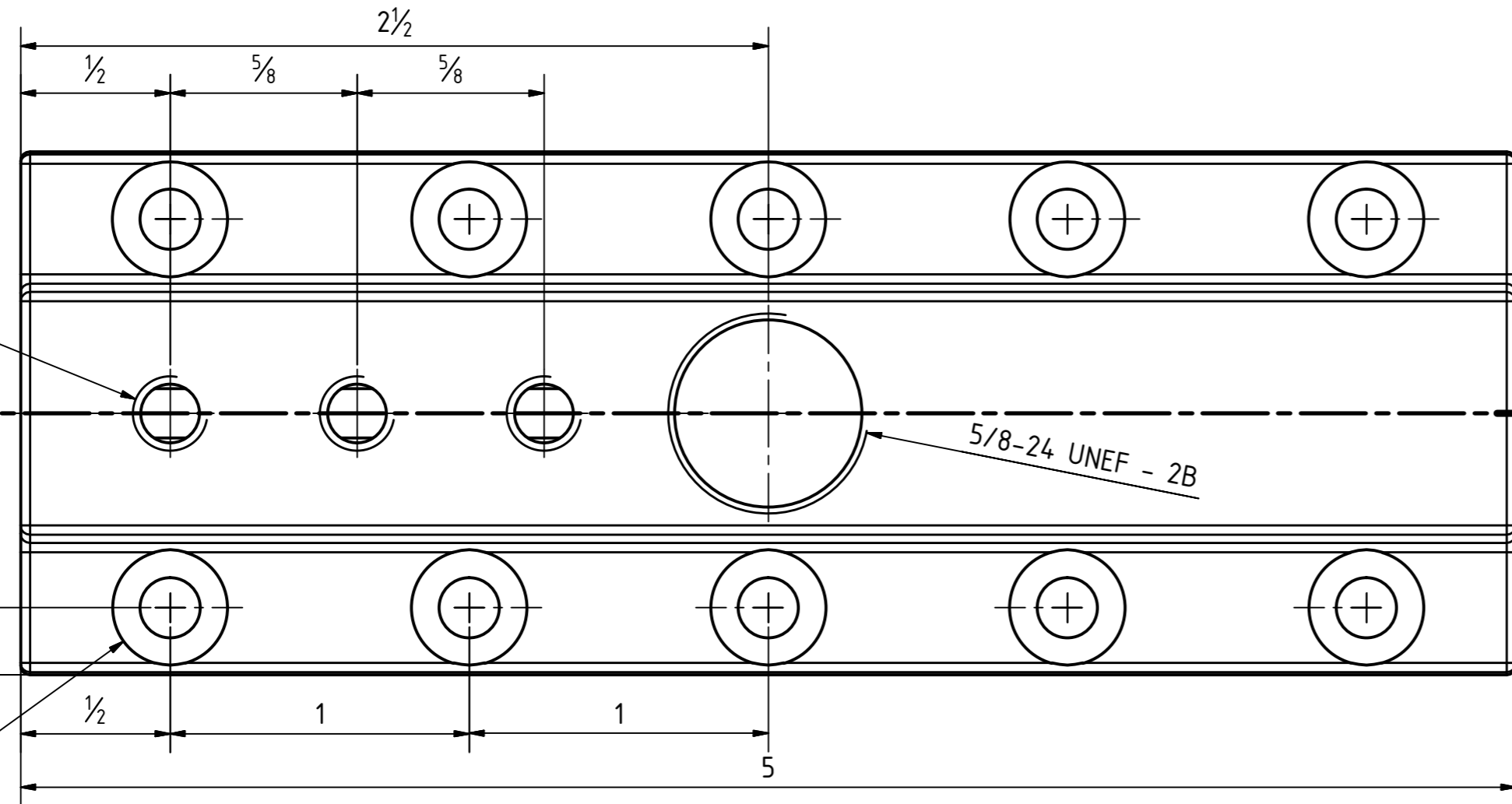
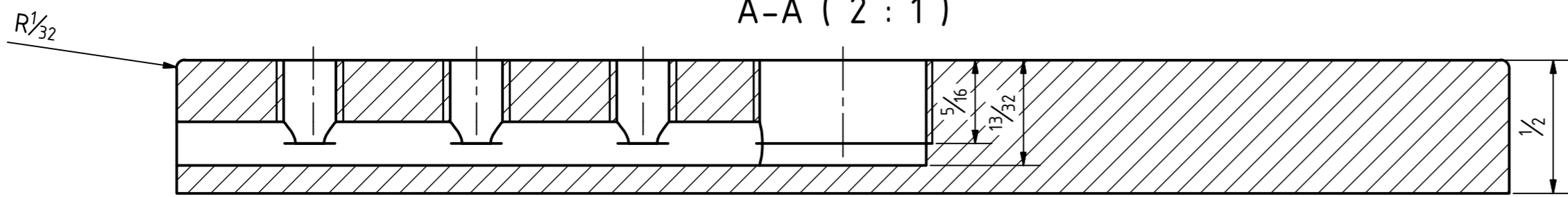
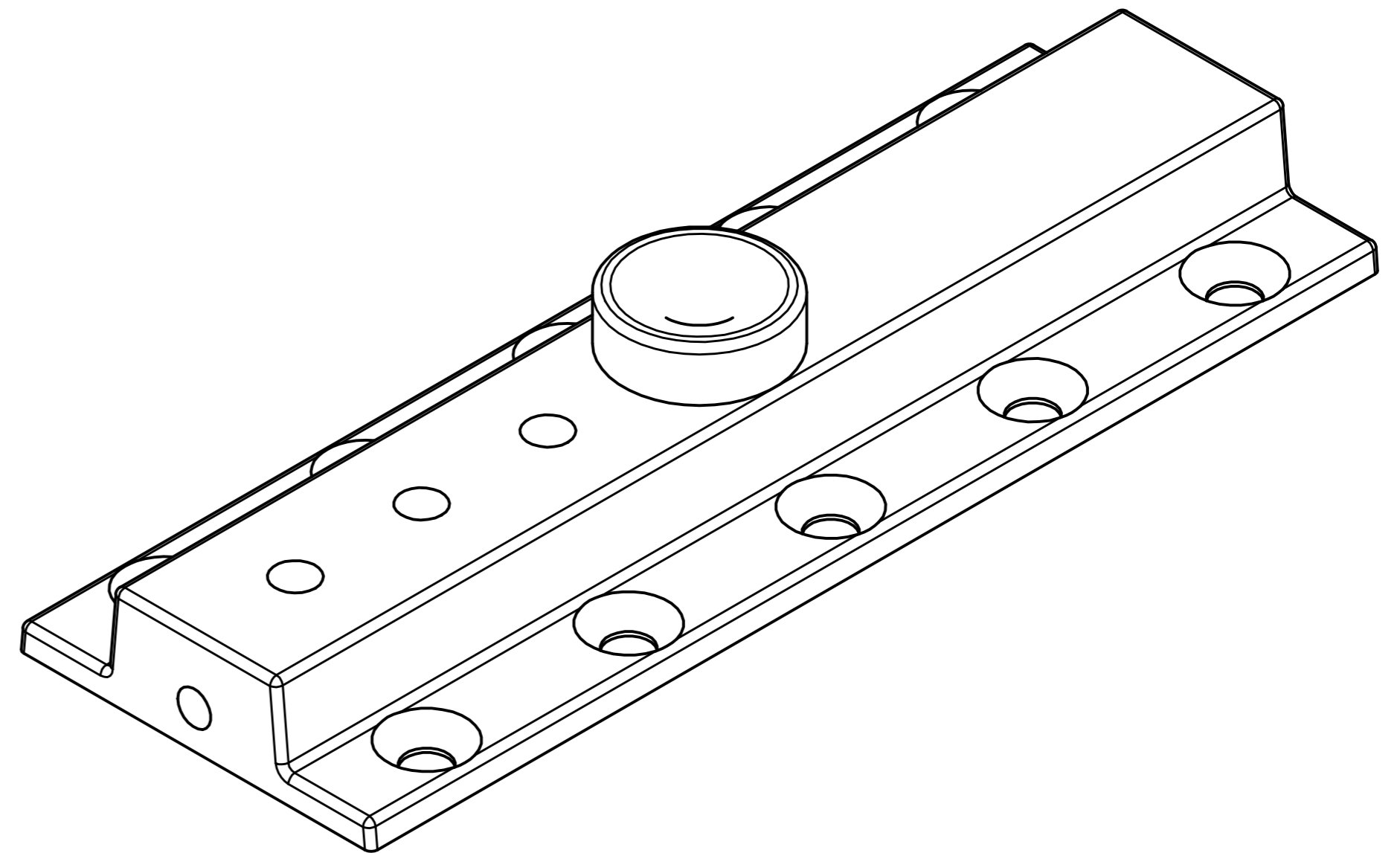
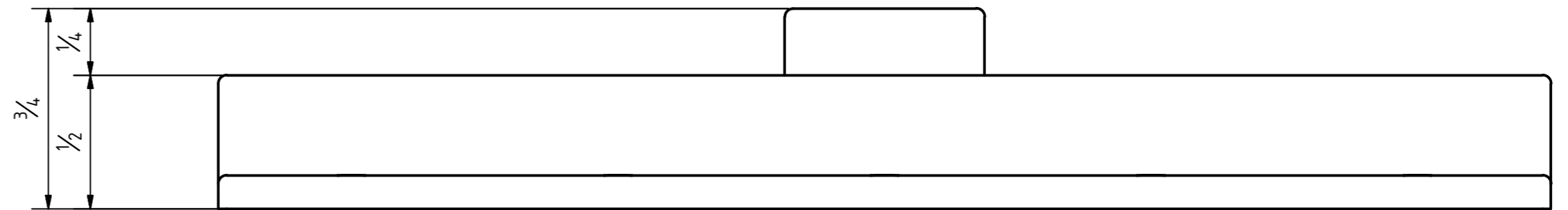
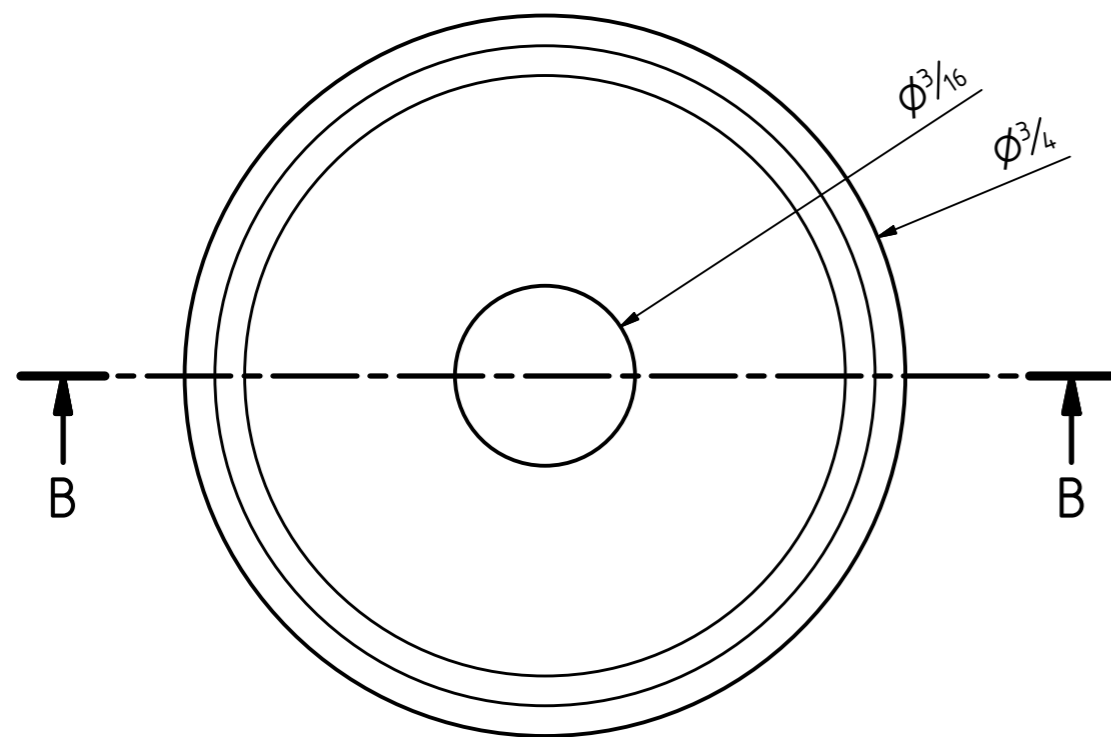
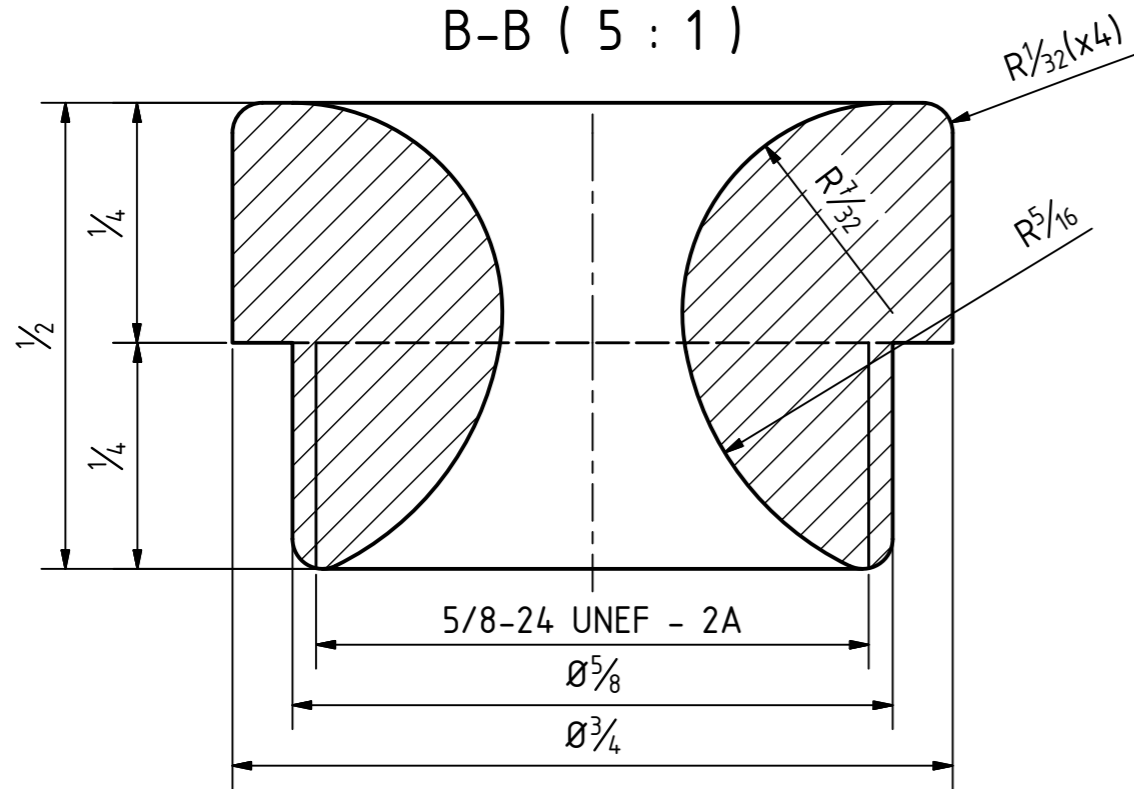


A-A (2 : 1)



B-B (5 : 1)



1/4-20 UNC - 2B

Ø5.10500 -8,00000 DEEP
DIN 74 - Ø 9,77900 X 82°

5/8-24 UNEF - 2B

R1/32(x4)

R5/16

5/8-24 UNEF - 2A

Ø5/8

Ø3/4

Ø3/16

Ø3/4

CABLE

SCREW

CLOUD HANGER ADJUSTABLE

SCREW

FINISHED PANEL

B

B