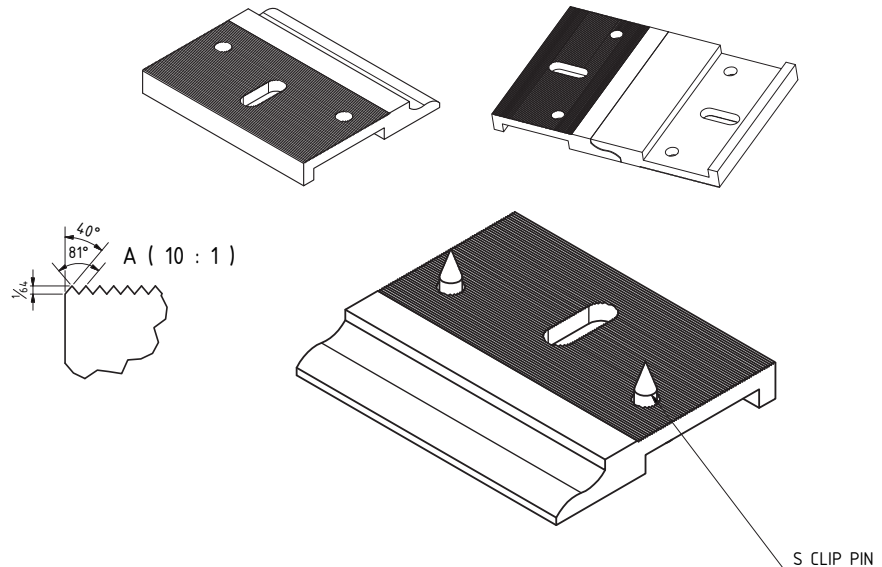
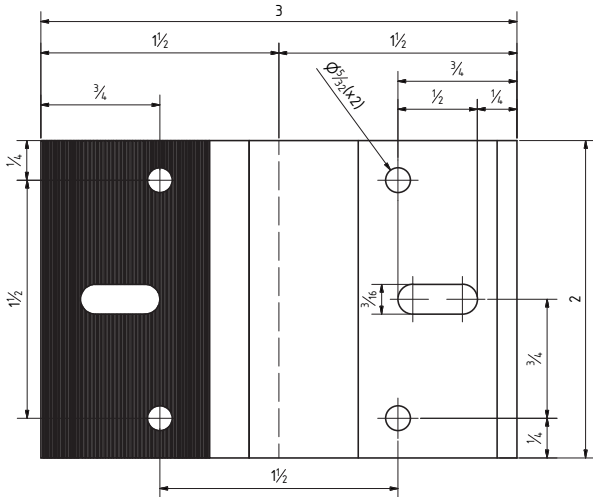


DESCRIPTION

The Star S Clip is a hidden panel fastener and a high-performance upgrade to the traditional panel clip, providing improved 'locking' and fast precision mounting. Like traditional panel clips, the S Clip is used to hang all kinds of architectural and decorative panels with or without furring. The unique S or ogee profile snaps into place, giving positive feedback to the installer when locking panels in place. The ribbed back (1/32" increments) provides better grip and allows for precise holding for adjustments. The S Clip will accept an S Alignment Clip (SKU 421) that can then be used to precisely mark the required locations of S Clips. For flush mounting, the S Clip require a 1/4" pocket (3.5" X 2") with a 3/8" liftoff. The S Clip will normally require a 3/8" panel reveal.

Note: For zero reveal installations, see our Star Zero fasteners. (Blue Zero SKU 320)

Note: Star SClip bars are available in 12' lengths. (S-clip-hanger-bar SKU 430)



SPECIFICATION

MATERIAL: Extruded Aluminum Alloy 6063, tempered to T5, the screws are zinc coated mild steel

BENEFITS: Very fast, hidden panel installation. Improved lock and adjustment.

EXPANSION: Usually 24" o.c. (Max).

LOAD: Typical weight per clip: Max 25 lbs per clip. (Wall surface and strength, combined with the fasteners used, will usually be the limiting factor.)

INSTALLATION

The S Clip can be quickly installed and the fastener locations determined with S Alignment Clip, which is snapped into the second half of a pair after placement.

The panel is then pushed into place to mark the exact 1-1/2" x 1-1/2" screw pattern. This simplifies the installation process and saves substantial time; insuring the # 8 x 3/4" wood screws are correctly located. The panels are then pushed in and pushed down hard to lock into position.

OTHER S CLIP RESOURCES

SHOP DRAWINGS:

<https://www.starhanger.com/pages/downloadable-drawing>

INTRODUCTION ANIMATIONS:

<https://www.starhanger.com/pages/animation-videos-info>

INSTRUCTION VIDEOS:

www.starhanger.com/pages/installation-videos

PRODUCT SPECIFICATION:

www.starhanger.com/pages/product-specifications

SALES & GENERAL QUESTIONS:

Sam Porter, P. 803-250-9608 E. sporter@starhanger.com

TECHNICAL QUESTIONS:

Charles Porter, P. 803-730-4463 E.cporter@starhanger.com

STRENGTH TESTING

With 3/4" - 45 lb. particle board:

- Tensile Failure (Horizontal pull) = 150 lbs. / Working Strength, Pull from Furring = 25 lbs.
- Shear Failure (Vertical weight holding) = 150 lbs. / Working Strength, Weight holding = 25 lbs. **

**Board density, tested with Flakeboard's VESTA, internal bond 70 PSI, Density 45 PCF, Screw Torque: Medium, LBF-In 35.05 to 47.20. Penetration Depth: 5/8". Screw Size: 3/4" - # 8 Pan Head. Moisture Content: Maximum 10%. Pilot holes will improve strength by 10% to 15%. (When tested as above each screw holds over 150 pounds, there is a 40% reduction in screw strength due the placement leverage = 90 lbs. x 2 screws = 180 lbs. / by safety factor of five = 36 lbs.)

Source: Screw Withdrawal Strength in 9Wood's Assemblies

USEFUL ACCESSORIES:

S Clip, (3 Screws Included), SKU 420
S Clip, 12 Ft. Bar, (1 Bar Only) SKU 430
S CLIP, ALIGNMENT CLIPS SKU 421

Panel Adjuster, SKU 920

ORDER: S CLIP, (3 SCREWS INCLUDED), SKU 420