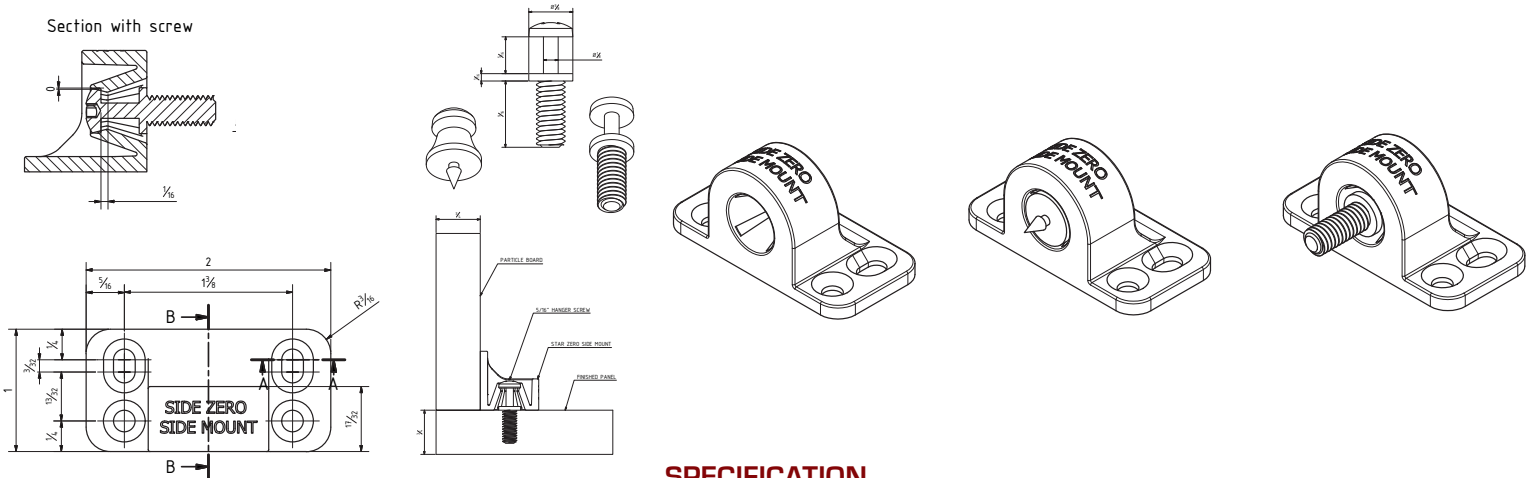


DESCRIPTION

The Zero Side Mount is a hidden panel-mounting system that requires zero reveal and that easily allows the fitting of removable panels in a variety of applications with a 90° connection. The Zero Side Mount is a companion clip to the Zero (SKU 320), a surface mounted alternative, that is pressure fitted into a 1" pocket. This system is suitable for mounting all kinds of removable panels, from architectural or veneer panels, to acoustic or fabric. The Zero is manufactured from durable Nylon 66 fiberglass and will accept the Star Alignment Pin (Alignment Pins 5/8" SKU 330)) that exactly marks the required locations for mounting the 5/16" Mounting Screws or 3/16" Mounting Screws (supplied). These fasteners will then snap into the mounting clips, as the panel is lifted into place.

The design and materials allow for repeated mounting and removal if required. This feature makes the Zero and Zero Side Mount a fast and durable solution for installations, such as ADA paneling in under-sink installations. (Videos).



SPECIFICATION

MATERIAL: Nylon 66 fiberglass-reinforced body and mild steel zinc coated 5/16" Mounting Screws or 3/16" Mounting Screws mounting screw

BENEFITS: Fast and easy installation; "straight in" insertion means panels may be installed with zero reveal; also panels may be easily removed and replaced. The Zero is an excellent solution for semi-permanent paneling or covers, such as under sink ADA panels.

EXPANSION: The Zero holds individual panels and allows for 1/16" expansion over an 8' sheet.

SPACING: Install sufficient clips for stability with minimum 24" o.c.

LOAD: Typical load per clip = Max 25 lbs per clip.

INSTALLATION

The Zero Side Mount can be surface mounted to any material that will hold a screw. The location of the 5/16" steel mounting screw can be determined with the Zero Alignment Pins (SKU 330). These are temporarily snapped into the fasteners while the panels are pressed into place to mark fastener locations.

The 5/16" Mounting Screw are inserted and the panel is pushed straight into its locked position.

Please see: www.starhanger.com/pages/installation-instructionsTechnical for complete Installation Guide

OTHER ZERO SIDE MOUNT RESOURCES

SHOP DRAWINGS:

<https://www.starhanger.com/pages/downloadable-drawing>

INTRODUCTION ANIMATIONS:

<https://www.starhanger.com/pages/animation-videos-info>

INSTRUCTION VIDEOS:

www.starhanger.com/pages/installation-videos

PRODUCT SPECIFICATION:

www.starhanger.com/pages/product-specifications

SALES & GENERAL QUESTIONS:

Sam Porter, P. 803-250-9608 E. sporter@starhanger.com

TECHNICAL QUESTIONS:

Charles Porter, P. 803-730-4463 E. cporter@starhanger.com

STRENGTH TESTING

With 3/4" - 45 lb. particle board:

- Tensile Failure (Horizontal pull) Failure = 40 lbs. / Working Strength, Pull from Furring = 10 lbs.
- Shear Failure (Vertical weight holding) Failure = 330 lbs. / Working Strength, Weight holding = 25 lbs.

Note: On vertical surfaces the Zero will hold 10 pounds per clip with a movement of less than 1/32"

USEFUL ACCESSORIES:

Zero Side Mount (5/16" Screws Included) SKU 320

Zero Alignment Pins (10 Pins) SKU 330

Mounting Bolts, 3/16" Anchor Bolts (Pack of 100) SKU 245, Requires Washer

Pilot Drill, 5MM Self Centering & Stop SKU 913

Panel Adjuster: Panel Adjuster SKU 920

ORDER: ZERO SIDE MOUNT (5/16" MOUNTING SCREWS INCLUDED) SKU 325