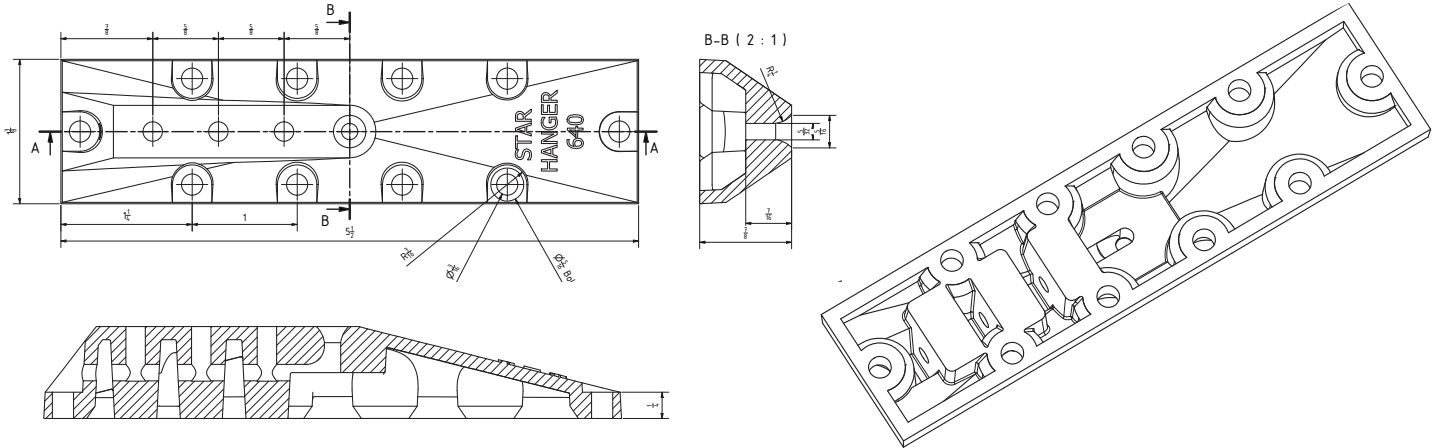


DESCRIPTION

The 640 Nylon Cloud & Baffle Hanger is manufactured out of reinforced Nylon molded at 90 Tons of pressure; the size is 7/8" x 1-3/8" x 5-1/2". The cable length is easily set during installation with 3 Allen lock-screws at the cloud level, which greatly eases final adjustment. The 640 Cloud Hanger is generally unseen and has a black matt finish.



SPECIFICATION

MATERIAL: Fiber Glass Reinforced Nylon

BENEFITS: The 640 Cloud Hanger is inexpensive, fast, very strong, and easy to install.

INSTALLATION

The type of ceiling structure determines your first steps. There are three common ceiling structures that the hanging cloud will be suspended from, steel beams, concrete, and wood, each has their own installation instructions. The 640 must have the cable installed before it is mounted to the panel. Feed the cable through the cable hanger and secure the cable end with needle nose vise grips. Mount the 640 to the panels and install the 10 screws, predrill holes drilled for # 8 x 7/8" pan head wood screws, use all the screws. Adjust the cable length until the panel is at the right height, tighten all three Allen bolts to lock the panel into place. Firmly tighten the Allen bolts into place, however, not enough to cut the cable. When adjusted, cut the unused loose cable.

Please see www.Starhanger.com > Technical for complete Installation Guide

OTHER CLOUD HANGER RESOURCES

SHOP DRAWINGS:

<https://www.starhanger.com/pages/downloadable-drawing>

INTRODUCTION ANIMATIONS:

<https://www.starhanger.com/pages/animation-videos-info>

INSTRUCTION VIDEOS:

www.starhanger.com/pages/installation-videos

PRODUCT SPECIFICATION:

www.starhanger.com/pages/product-specifications

SALES & GENERAL QUESTIONS:

Sam Porter, P. 803-250-9608 E. sporter@starhanger.com

TECHNICAL QUESTIONS:

Charles Porter, P. 803-730-4463 E. cporter@starhanger.com

STRENGTH TESTING

During testing in most materials, the 1/8" cable failed at over 1,200 pounds, while the 640 remained undamaged. The wood (panel) to clip connection is the point of weakness, in the Star Cloud Hanging System. Strength Testing with 3/4" - 45 lb. particle board

- Tensile Failure (Horizontal pull) = 550 lbs. / Working Strength, Weight Holding = 40 lbs.
- Shear Failure (Vertical weight holding) = 350 lbs. / Working Strength, Pulled to Side = 30 lbs.

Note: The plate pullout strength will vary according to the size and depth of the screws, pilot holes, cable angle and material type. A single # 8 flat head wood screw with: 1/2" penetration, a 3/64" pilot hole, installed in 45 lbs particleboard, fails at about 55 lbs. With 10 Screws, this gives a total pull out of over 550 lbs, which divided by a safety factor of 10, gives a working load limit of 40 lbs

USEFUL ACCESSORIES:

Cloud Hanging, 1/4"-20, Beam Clamp, SKU 610
Cloud Hanging, 1/4"-20, Concrete Bolt, SKU 612
Cloud Hanging, Stainless 1/4" Pad Eye, SKU 614
Cloud Hanging, Stainless 1/4"-20, Eye Bolt, SKU 615
Cloud Hanging, Ball Connector & 5 Ft. 1/8" Cable, SKU 620

Cloud Hanging, Fork Connector & 5 Ft. 1/8" Cable, SKU 622
Cloud Hanging, 1/8" Adjustable Cable Gripper, SKU 625
Cloud Hanger, 2" Adjustable Mounting Plate, SKU 630

ORDER: 640 Cloud & Baffle Hanger, Nylon