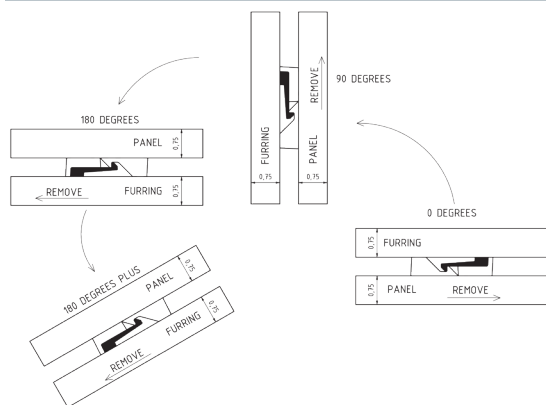


520 Ceiling Clip Pairs, Nylon, 3 Part Specification Sheet

520 Ceiling Clip, Range of Motion

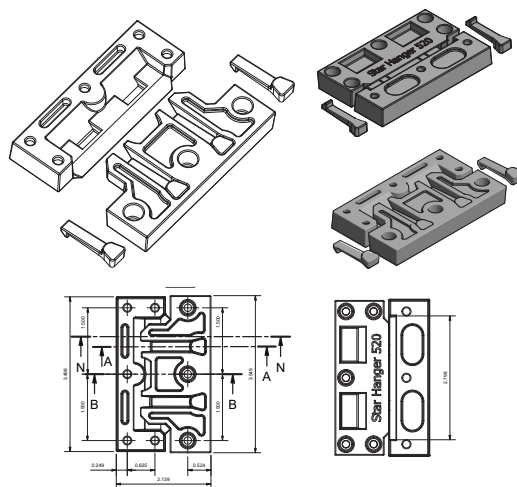


520 Ceiling Clip works at 0 degree horizontal for overhead ceiling panels

520 Ceiling Clip works at 90 degrees for heavy duty wall panels or headboards.

520 Ceiling Clip works upside down at 180 90 degrees.

The locking arms are intended to prevent the panel clips from slipping loose due to expansion and contraction of the wood panel. Never use the clips over the 180-degree range of motion. That would require the lock locking arms to hold the weight of the panels which they cannot hold.



PART 1 GENERAL

1.1 SUMMARY

- A. Concealed Star Hanger 520 Ceiling Clips

1.2 RELATED SECTIONS

- A. Section 06400 – Architectural Woodwork: Architectural paneling.
B. Section 09210 - Gypsum Plaster.
C. Section 09260 - Gypsum Board Assemblies.
D. Section 09700 - Wall Finishes.

1.3 SUBMITTALS

- A. Product Data: Manufacturer's data sheets on each product to be used, including:
1. Installation Guide
2. Sample Shop Drawing
3. Installation Video
B. LEED Submittals: Provide documentation of how the requirements of Credit will be met.

1.4 DELIVERY, STORAGE, AND HANDLING

- A. Deliver materials in unopened factory packaging to the jobsite and store in original packaging in a climate-controlled location.

1.5 PROJECT CONDITIONS

- A. Products must be installed in an interior climate-controlled environment.

PART 2 PRODUCTS

2.1 MANUFACTURER

- A. Star Hanger Systems
Columbia SC.
Phone: 803-250-9608
Web Site: <https://www.starhanger.com/>
Email: cporter@starhanger.com
B. Substitutions: Not permitted.

2.2 STAR HANGER, 520 Ceiling Clips

- A. The 520 Clip is designed to mount panels overhead. There are 2 different clips, one attaches to the furring and the other to the panels. Each pair clips include a separate 2 locking arms that are inserted into the clip, this mechanical lock prevents the panels from sliding off the clip as they expand and contract from summer to winter.
B. 520 Ceiling Clip Nylon Pair
Material; High temperature nylon with infused fiberglass
Clip Size as Pair; ½ thick x 3" wide, x 4" long,

- Gap between furring and panel; ½"
Minimum Reveal on last panel in row; ¾"
Minimum Reveals on sides; 1/16"
Mounting Screws for Wood; 8 each # 8 pan head screws, ¾" long for 5/8" penetration
B. Clip Spacing: 4 clips per panel or maximum 24" o.c.
C. Load: Typical weight per clip: Max 25 lbs per clip. (The screws holding the panel and furring strength will usually be the limiting factor.)
D. Mounting to Sheetrock, 520 Ceiling Clips Mounting; require a flat surface like furring, they cannot be installed directly to sheetrock or studs. However, 511 Aluminum Bar can be installed to existing sheetrock.
Mounting screws for 511 Aluminum Bar to Steel Studs; Hilti
E. Strength Testing
Tested with Flakeboard vesta; internal bond 70 psi, density 45 pcf
Tensile Failure (Horizontal pull) = 160 lbs. / Working

Strength, Pull from Furring = 50 lbs. • Shear Failure (Vertical weight holding) = 220 lbs. / Working Strength, Weight holding = 50 lbs

F. Star Hanger, Resources
Shop Drawings: <https://www.starhanger.com/pages/downloadable-drawing>
Introduction Animation; <https://www.starhanger.com/pages/animation-videos-info>

INSTRUCTION VIDEOS:
www.starhanger.com/pages/installation-videos

Product Specifications:
www.starhanger.com/pages/product-specifications

Sales; Christian Crosby, ccrosby@starhanger.com

Technical Questions; Charles Porter, P. 803-730-4463
Email, cporter@starhanger.com

PART 3 EXECUTION

3.1 EXAMINATION

- A. Do not begin installation until substrates have been properly inspected to insure, they can hold the weight.
B. Complete all finishing operations, including painting, before beginning installation of panel systems.
C. If substrate preparation is the responsibility of another installer, notify Architect of unsatisfactory preparation before proceeding.

3.2 EXAMINATION

- A. Do not begin installation until the building is climatized.
B. General: Install products level and plumb, in full compliance with manufacturer's installation instructions.

3.3 INSTALLATION

- A. Wood panels panel continually expand and contract in size, this movement has a tenancy to pull and push against the clip. This movement, (approximately 1/16" allows the panel to creep of the clip. Over time this creeping action can literally push the panel off its clips. The 520 Ceiling Clips have a mechanical locking arm that physically prevent the clips pulling off the edge.
B. Please review the Star Hanger, 520 Installation Guide for Installation recommendations.
C. The panels are then lifted into place and locked pushing the panel sliding the panels horizontally until the locking arm locks into place. The panel does not have to drop into place.
D. Useful Accessories: Accurate alignment can be achieved using a clip template (Ceiling Clip template SKU 539).

3.4 PROTECTION

- A. Protect installed products until completion of project.
B. Touch-up, repair or replace damaged products before substantial completion.

3.5 ADJUSTING AND CLEANING

- A. Verify that products are plumb and rigidly secured to substrate; make any adjustments required.