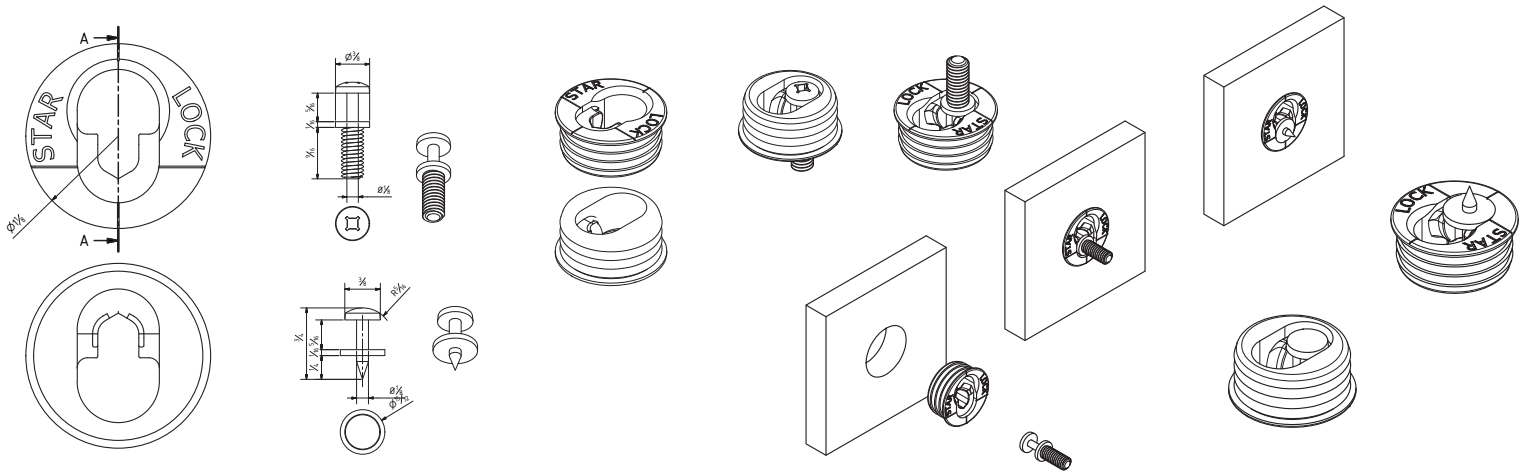


DESCRIPTION

The 340 Lock is a small hidden panel fastener used to mount architectural and other types of wood paneling (min 5/8") to any wood substrate or installed furring. The clips can be installed in the field when drilled with a 1" Forstner bit producing a clean pre-drilled hole (1/2" deep) at the required locations. The inserts can be used with our 3/16" Alignment Pins (SKU, 211) that allow for quick, easy, and precise location of the 3/16" Mounting Screw (supplied). With the mounting screw attached, the panels are lifted into place and locked into the clips (5/16" liftoff). A small top-of-the-panel reveal may be required.

Note: For installations that require a zero reveal, see our Zero hanger system (Zero SKU,320)

Note: For mounting non-porous and ceramic materials, use the Epoxy Mount. (Solid Surface Epoxy Mount SKU, 230)



SPECIFICATION

MATERIAL: Hard-grade Nylon 66, reinforced with 30% fiber glass.

BENEFITS: The Star Lock is an inexpensive alternative to the standard "Z" clip, offering easy, fast, and accurate installation.

SPACING: Small panels 4 per panel. Larger panels will require an even layout with a maximum 24" spacing.

LOAD: Maximum load: 25 lbs per clip.

INSTALLATION

The Lock clip is pressed drilled with a 1" Forstner bit producing a clean pre-drilled hole (1/2" deep) forming a compression fit. The holes can be quickly drilled in the shop or field. The location of the corresponding mounting screws is aided by 3/16" Alignment Pins which are temporarily pushed into the Lock enabling accurate positioning of the 3/16" Mounting Screw which are screwed into a 5mm pre-drilled hole. The panel is then pushed in and down to lock the panel firmly in position. The 340 Lock is the thinnest fastener and can be installed in either the panel or the furring.

Please see www.Starhanger.com > Technical for complete Installation Guide

OTHER LOCK RESOURCES

SHOP DRAWINGS:

<https://www.starhanger.com/pages/downloadable-drawing>

INTRODUCTION ANIMATIONS:

<https://www.starhanger.com/pages/animation-videos-info>

INSTRUCTION VIDEOS:

www.starhanger.com/pages/installation-videos

PRODUCT SPECIFICATION:

www.starhanger.com/pages/product-specifications

SALES & GENERAL QUESTIONS:

Sam Porter, P. 803-250-9608 E. sporter@starhanger.com

TECHNICAL QUESTIONS:

Charles Porter, P. 803-730-4463 E. cporter@starhanger.com

STRENGTH TESTING

With 3/4", 45 lb. particle board –

- Tensile Failure (Horizontal pull) = 160 lbs. / Working Strength, Pull from Furring = 25 lbs.
- Shear Failure (Vertical weight holding) = 530 lbs. / Working Strength, Weight holding = 50 lbs.

USEFUL ACCESSORIES:

Pilot Drill, 5MM Self Centering & Stop SKU 913

PANEL ADJUSTER, SKU 920

ORDER: LOCK, 1" (3/16" MOUNTING SCREWS) SKU 340

3/16" Alignment Pins (25 Pins), SKU 211

3/16" Mounting Screws, (100 Screws) SKU 240

Mounting Bolts, 3/16" Anchor Bolts (Pack of 100) SKU 245

Toggle 10-24 Thread SNAPTOGGLE Heavy Duty Toggle (Pack of 100) SKU 250