

DESCRIPTION

From the 300 Series the 340 Hanger 1-3/8" is a heavy duty insert fastener with a keyhole-style lock. This fastener is designed to fit into a 1-3/8" hole milled into 3/8" - 5/8" drywall. There are two 2-inch Screws positioned through the face of the fastener that attach two wings along the back side of the fastener. The keyhole along the face has a depth of 5/16" requiring a #10 Pan Head screw size or any Star Hanger Systems screw within the 300 Series that specifies a 5/16" depth neck.

INSTALLATION

The 340 Hanger 1-3/8" fits into a 1-3/8" milled hole. The concept was designed as a drywall anchor but any material 3/8"-7/8" will work. The wings of the back side of the fastener seat into the hole with the Star Hanger Logo up right and the rim of the face pushed fully to the surface of the drywall. Using a Philips head bit on a standard drill/driver tighten both screws until the wings grip the backside of the drywall and the fastener no longer has any movement. Position the 311 Alignment Pin into the keyhole and press the panel against the pin to make an indentation for the screw placement. Remove the alignment pin and install the screw to the marked location. The screw then fits securely into the fastener remaining fully removable. *Note: Do not over tightened screws or they will not fit into the keyhole. If installing to a stud remove the wings and bolts, cut off the back arms and reassemble the screws without the wings.*

SPECIFICATIONS

BENEFITS: Allows for Architectural Panels, Acoustics, Artwork, Frames, Mirror, etc., to be mounted directly to drywall without the need of a furring system or structural stud. The alignment pin reduces the measuring time without compromising location accuracy. Removable for future access by HVAC or Electrical Trades. Hidden for optimal aesthetic.

STOCK SIZE: Sold in Packs of 10, 100, 500 (334 Euro Screw is included unless specified "Without Screws")

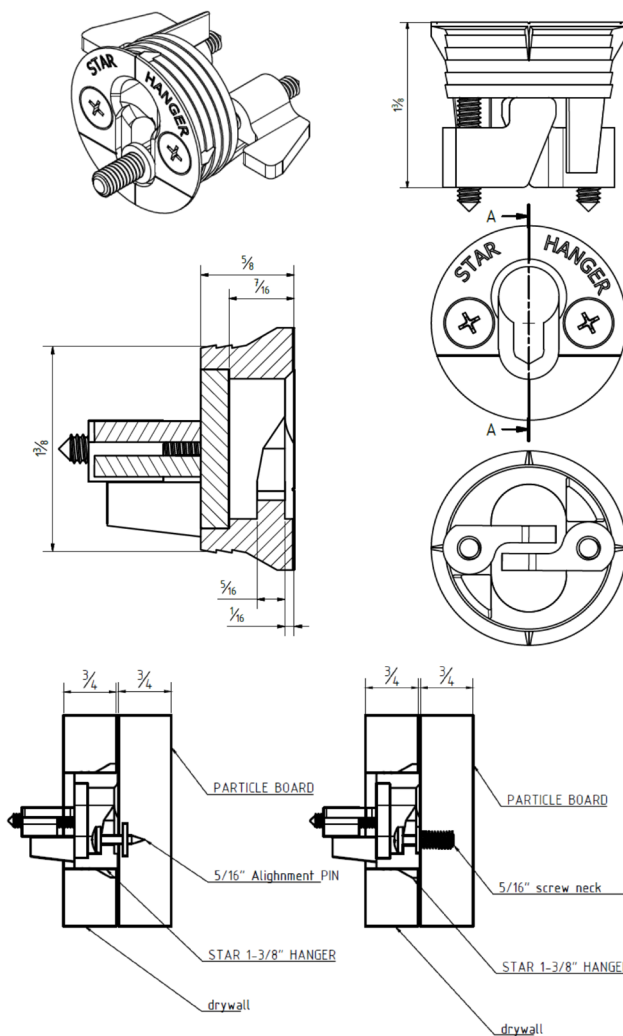
DISTANCE FROM WALL TO PANEL: 1/16"

REQUIRED REVEAL: 3/8" from above for drop in keyhole lock

RECOMMENDED SPACING: Approx. 24" o.c.

MATERIAL: Fastener Body / ABS Plastic, Wing Screws / Zinc Coated Steel

LOAD CAPACITY: 25 lbs per clip (Typically the surface material is the limiting factor).



TESTED STRENGTH RATING: With 5/8" drywall

TENSILE FAILURE

(Horizontal pull) = 160 lbs. / Working Strength, Pull from Furring = 25 lbs.

SHEAR FAILURE

(Vertical weight holding) = 330 lbs. / Working Strength, Weight holding = 50 lbs.

COMPATIBLE PRODUCTS & TOOLS

311 Alignment Pins 5/16"	338 Mounting Machine Bolt 5/16" x 1-3/8"
334 Mounting Euro Screw 5/16" x 1/2"	343 Thin Mount for Solid Surface 5/16"
335 Mounting Euro Screw 5/16" x 5/16"	912 Hole Saw 1-3/8" & Mandrel
336 Mounting Combo Screw 5/16" x 1-3/8"	913 Pilot Drill & Stop 5mm

Additional Resources available at:
www.starhanger.com

Downloadable Installation Guides, Catalogs, Animation video, Shop Demonstration Videos, Downloadable CAD Files, Specification Sheets, Sales & Technical Contacts, Samples, and More...