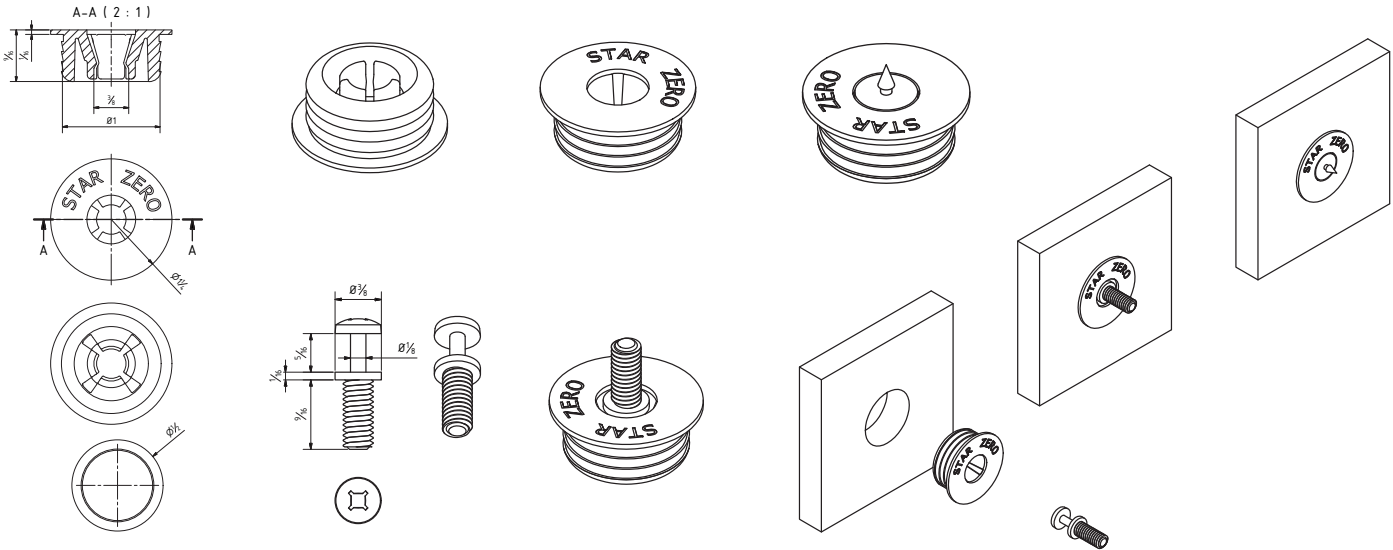


DESCRIPTION

The 320 Zero is a hidden panel-mounting system that allows panels to be snapped straight into position. This system is suitable for mounting all kinds of panels, from architectural or veneer panels to acoustic and fabric panels. The 320 Zero is manufactured from nylon 66, reinforced with fiber glass, and designed to pressed fit into a 1" predrilled. The clip will accept a Zero Alignment Pin (SKU 330) that can then be used to precisely mark the required locations of mounting screw (supplied). The fasteners design and materials allow for repeated removal. This feature makes the 320 Zero a fast and durable solution for ADA paneling, in ADA under-sink installations, hospital headboards, access panels and others. Note: The Zero Side Mount is a companion clip that is designed to mount on perpendicular surfaces and may be used in combination with the Zero.



SPECIFICATION

MATERIAL: Nylon 66 fiberglass-reinforced body and mild steel zinc coated 5/16" Mounting Screw.

BENEFITS: Fast and easy installation, "straight in" insertion means panels may be installed with zero reveal. Panels may be easily removed and replaced. The 320 Zero is an excellent solution for semi-permanent paneling and covers such as under sink ADA panels.

EXPANSION: The 320 Zero holds individual panels and allows for 1/16" expansion over an 8 Ft sheet.

SPACING: Install sufficient clips for stability with minimum 18" o.c.

LOAD: Typical load per clip: Max 25 lbs per clip.

INSTALLATION

The 320 Zero is pressed into a pre-drilled 1" hole creating a compression fit. The location of the panels is improved with the use of Zero Alignment Pins. The pins are temporarily snapped into the Zero for accurate marking. The 5/16" Mounting Screw are placed and the panel is pushed straight into its locked position.

Please see www.Starhanger.com > Technical for complete Installation Guide

OTHER ZERO RESOURCES

SHOP DRAWINGS:

<https://www.starhanger.com/pages/downloadable-drawing>

INTRODUCTION ANIMATIONS:

<https://www.starhanger.com/pages/animation-videos-info>

INSTRUCTION VIDEOS:

www.starhanger.com/pages/installation-videos

PRODUCT SPECIFICATION:

www.starhanger.com/pages/product-specifications

SALES & GENERAL QUESTIONS:

Sam Porter, P. 803-250-9608 E. sporter@starhanger.com

TECHNICAL QUESTIONS:

Charles Porter, P. 803-730-4463 E. cporter@starhanger.com

STRENGTH TESTING

With 3/4", 45 lb. Particle Board

- Tensile Failure (Horizontal pull) Failure = 40 lbs. / Working Strength, Pull from Furring = 10 lbs.
- Shear Failure (Vertical weight holding) Failure = 330 lbs. / Working Strength, Weight holding = 25 lbs.

Note: On vertical surfaces the Zero will hold 10 pounds per clip with a movement of less than 1/32".

USEFUL ACCESSORIES:

Zero Alignment Pins (10 Pins) SKU 330

Mounting Bolts, 3/16" Anchor Bolts (Pack of 100) SKU 245, Requires Washer

Pilot Drill, 5MM Self Centering & Stop SKU 913

Panel Adjuster, SKU 920

ORDER: ZERO (5/16" SCREWS INCLUDED) SKU 320