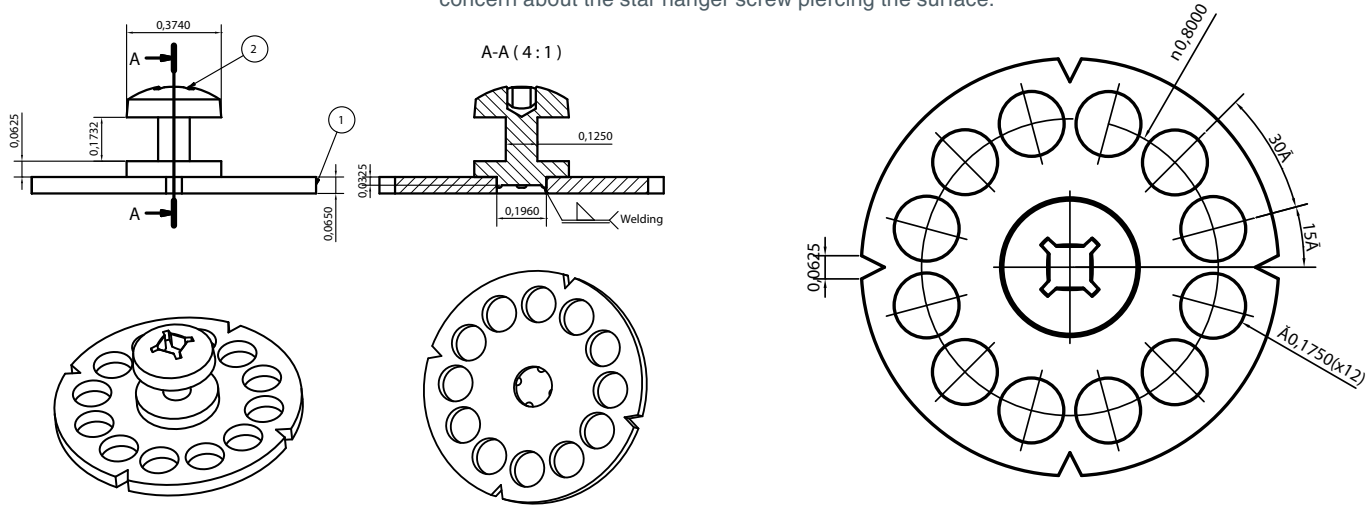


DESCRIPTION

The 240 Epoxy Mount is designed to install materials too brittle to hold a screw including thin panels, corian, mf, sculpted panels, acrylics, and solid surfaces. The perforated, mild-steel mounting plate can be epoxy-mounted to almost any surface with high strength and predictability. The small holes provide. Mechanical adhesion in addition to epoxy. 240 Epoxy Mount can be used with the Lock and 200 1-3/8" Hanger and lock to mechanically fasten panels to the wall, and the double-headed screw has been modified to attach the panel with a general-purpose epoxy. The star hanger alignment pin is used to mark the location on the panel with 3M Scotch-Weld 110 Epoxy, these fasteners will hold about 25 pounds. Push the steel plate into place, and wipe off any excess glue. The Epoxy Mount can be used for solid surfaces and mdf. They are especially useful for thin mdf and acrylic when there is concern about the star hanger screw piercing the surface.



SPECIFICATION

MATERIAL: Mild Steel, Zinc Coated

BENEFITS: Allows the installation of materials too brittle to hold a screw including thin panels, Corian, MDF, sculpted panels, acrylics, and solid surfaces.

SPACING: Space at 24" or minimum required to prevent you material from warping.

LOAD: When using 3M Scotch-Weld 110 Epoxy, these fasteners will hold about 25 pounds.

INSTALLATION

When used in combination with the 240 Epoxy Mount clip makes it possible to hang materials that are not suitable to hang with a screw including materials such as acrylic, stone, corian, light metal panels, glass, and other solid surface materials. The clips work with virtually any material that will accept an epoxy.

The 240 Epoxy Mount with the adhesive mount also works for panels as thin as 1/4".

OTHER STAR 1-3/8" HANGER RESOURCES

SHOP DRAWINGS:

<https://www.starhanger.com/pages/downloadable-drawing>

INTRODUCTION ANIMATIONS:

<https://www.starhanger.com/pages/animation-videos-info>

INSTRUCTION VIDEOS:

www.starhanger.com/pages/installation-videos

PRODUCT SPECIFICATION:

www.starhanger.com/pages/product-specifications

SALES & GENERAL QUESTIONS:

Sam Porter, P. 803-250-9608 E. sporter@starhanger.com

TECHNICAL QUESTIONS:

Charles Porter, P. 803-730-4463 E. cporter@starhanger.com

STRENGTH TESTING

With 1/2", solid surface

- Tensile Failure (Horizontal pull) = 250 lbs. / Working strength, pull from furring = 25 lbs.
- Shear Failure (Vertical weight holding) = weight holding = 350 lbs. /working strength, weight holding = 50 lbs.

USEFUL ACCESSORIES:

ORDER: EPOXY FASTENER: SOLID SURFACE EPOXY MOUNT SKU 240