



239 Mounting Bolt 1/8" Gap x 1/2" Thread Specification Sheet

DESCRIPTION

The 239 Mounting Bolt | 1/8" Gap x 1/2" Thread is a unique bolt designed to be used with Star Hangers Systems insert fasteners from the 200 Series. The 239 Mounting Bolt consists of 4 components: Head, Neck (Gap), Shoulder (permanent washer), and Thread.

Note: Do not overtighten or countersink the bolt or it will not fit into the insert. The bolt can be adjusted to accommodate for uneven surfaces.

SPECIFICATIONS

SUGGESTED MATERIALS: Metal or with 10-24 threaded hardware

SCREW HEAD: #10 Pan Head

SCREW NECK LENGTH: 1/8" Gap

SCREW SHOULDER: 1/16" Thick x 3/8" Diameter

SCREW THREAD: 1/2" Length, 10-24 Machine Bolt Thread

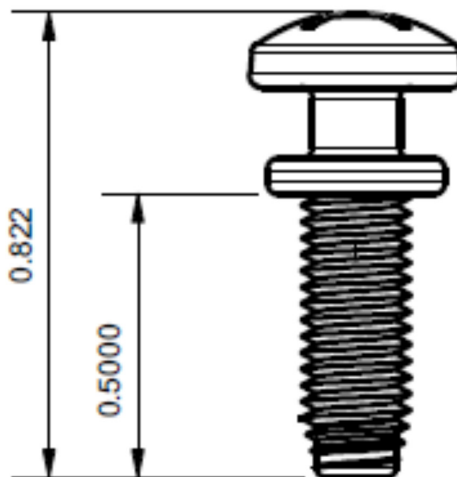
HOLE SIZE: 10-24 Threaded

STOCK SIZE: Sold in packs of 10, 100, 500

PRICING: Wholesale pricing available at www.starhanger.com

MATERIAL: Zinc Coated Steel

239
10-24 MACHINE
SCREW



COMPATIBLE PRODUCTS & TOOLS

224-227 Galaxy

950 Snaptoggle 3/16" 10-24 Thread

945 Rivnut

Additional Resources available at:
www.starhanger.com

Downloadable Installation Guides, Catalogs, Animation video, Shop Demonstration Videos, Downloadable CAD Files, Specification Sheets, Sales & Technical Contacts, Samples, and More...

Manufactured in Columbia, SC by
STAR HANGER SYSTEMS, LLC