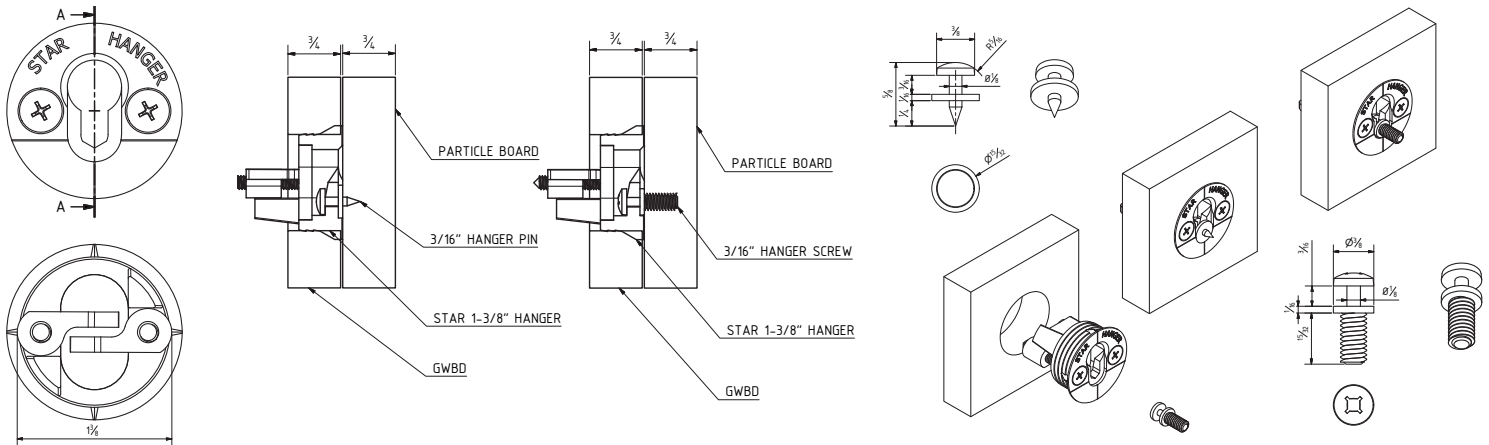


## DESCRIPTION

The 200 1-3/8" Hanger is a heavy duty hidden panel-mounting system designed to mount panel directly on drywall surfaces. They can be used to hang all kinds of architectural and wood paneling in a fast and efficient way. The clips are inserted into a 1-3/8" hole, cut with a hole saw. Once inserted, the clips are locked into place by turning out a pair of arms behind the wall surface. 3/16" Alignment Pins (SKU, 211) are used to mark and locate the drill location the 3/16" Mounting Bolts (supplied), that are then attached to the wood panels. The panels are lifted into place; the fasteners inserted and locked into the clips. (A 1/2" reveal is required to allow for liftoff.)

**Note:** Variations from level or flat along the drywall surface, may be improved with our 1/32" shims (Hanger 1-3/8" SKU 200, 1/32" shims SKU 210)



## SPECIFICATION

**MATERIAL:** Nylon 66, reinforced with 30% fiber glass

**BENEFITS:** Fast, hidden, and durable connection directly to drywall surfaces. (No furring required.) On-site layout using 3/16" Alignment Pins SKU, 211). The 200 1-3/8" Hanger allows wood paneling to be installed at roughly half the cost of a comparable full-furring premium system.

**SPACING:** Usually 24" o.c. (Max).

**LOAD:** Typical weight per clip: Max 25 lbs per clip. (Wall surface and strength is usually the limiting factor.)

## INSTALLATION

The panel perimeters are laid out on the walls. The 200 1-3/8" Hanger fits into a 1-3/8" hole drilled into the drywall at the corners of the panels. The Hangers are locked into place with a screw driver or drill. Once the hangers are placed the location of the 3/16" Mounting Screws are easily found with the use of 3/16" Alignment Pins. The 3/16" Mounting Screw are screwed in place and the panels are pushed in and down to lock into position.

## OTHER STAR 1-3/8" HANGER RESOURCES

**SHOP DRAWINGS:**

<https://www.starhanger.com/pages/downloadable-drawing>

**INTRODUCTION ANIMATIONS:**

<https://www.starhanger.com/pages/animation-videos-info>

**INSTRUCTION VIDEOS:**

[www.starhanger.com/pages/installation-videos](http://www.starhanger.com/pages/installation-videos)

**PRODUCT SPECIFICATION:**

[www.starhanger.com/pages/product-specifications](http://www.starhanger.com/pages/product-specifications)

**SALES & GENERAL QUESTIONS:**

Sam Porter, P. 803-250-9608 E. [sporter@starhanger.com](mailto:sporter@starhanger.com)

**TECHNICAL QUESTIONS:**

Charles Porter, P. 803-730-4463 E. [cporter@starhanger.com](mailto:cporter@starhanger.com)

## STRENGTH TESTING

With 5/8" drywall board –

- Tensile Failure (Horizontal pull) = 160 lbs. / Working Strength, Pull from Furring = 25 lbs.
- Shear Failure (Vertical weight holding) = 330 lbs. / Working Strength, Weight holding = 50 lbs.

## USEFUL ACCESSORIES:

200 1-3/8" Hanger, Shims, 1/32" (50 Shims) SKU 210

3/16" Alignment Pins (25 Pins), SKU 211

Pilot Drill, 5MM Self Centering & Stop SKU 913

Panel Adjuster, SKU 920

Epoxy fastener: Solid Surface Epoxy Mount SKU 230

**ORDER:** 1-3/8" HANGER, (3/16" MOUNTING SCREWS INCLUDED) SKU 200