

semihandmade

Installation Manual

From all of us, thank you for choosing

semihandmade

This instruction manual was put together in the spirit of the Do-It-Yourself movement while simultaneously serving to help professionals understand the differences between a standard Ikea installation and a Semihandmade one.

We truly appreciate your business and we're grateful for the trust you've placed in us. We are committed to providing you with the best products and customer service. We will do our very best to meet your expectations and provide a truly one-of-a-kind experience.

Thanks again! We look forward to serving you for many years to come.

Best regards,

John McDonald, Founder

Disclaimer

Semihandmade™ doors, drawer faces, panels, trim, accessories and hardware are meant to be installed by qualified individuals.

Suggestions in this manual are provided for informational purposes only. Semihandmade does not guarantee the efficacy of the instruction provided in this manual, as unforeseen variables - such as existing wall, ceiling and flooring conditions, integrated custom elements, and alternative designs - may render these suggestions moot. Equally, Semihandmade does not guarantee that this information is up to date. For questions concerning Ikea®* products, specifications or utilizations, please refer to manuals provided by Ikea®.

Semihandmade shall not be liable in contract, or in any other manner whatsoever, to any person or entity for any damage to property, additional expense incurred, injury, loss of life, or other liability associated with the use of this manual or Semihandmade products.

General Safety Guidelines

- Read and understand all installation instructions before beginning installation of your project. Retain a copy of these guidelines and instructions for future reference. Failure to follow instructions may result in property damage, bodily injury, or loss of life.
- Read and understand all safety instructions associated with the necessary tools for your project.
- Never use a tool without proper safety training.
- Never use a power tool unaccompanied.
- Always follow safe lifting guidelines.
- Always wear protective eyewear.
- Keep children away.
- Be aware of water and power lines when drilling into walls.

***Ikea® is a Registered Trademark of Inter IKEA Systems B.V.
and is not affiliated with Semihandmade, Inc.**

Care & Cleaning Instructions

A. Precautionary Actions

1. Wipe off all liquids immediately.
2. Avoid direct sunlight.
3. Make sure appliances - especially dishwashers - are correctly installed and insulated.
4. Never “vent” your dishwasher or oven by cracking open the appliance door.
5. Avoid close proximity to radiators, heaters or mobile heating units.
6. Protect surfaces when using sharp tools or cumbersome equipment.

B. Occasional Cleaning

1. Surfaces should be cleaned with a soft, non-abrasive cloth lightly dampened with a mild soapy solution, followed by a wipe-down with a similarly soft, but dry, non-abrasive cloth.
2. Avoid all cleaning compounds with alkaline reagents - like ammonia or alcohol.
3. Do not wax or polish thermofoil (Supermatte) or textured melamine (Impressions) doors.
4. For real wood veneers, orange oil and orange wax can be used on an infrequent basis but must be applied first to a clean, non-abrasive cloth - not directly on the coated surface. It is always best to test a small spot on the back of a door or drawer face to be sure of no adverse effects

Contents

A

Doors and Drawer Faces

Page.1

B

Filler Installation

Page.5

C

Panel Installation

Page.7

D

Toe-Kick/Plinth Installation

Page.9

E

Upper Trim/Light Rail Installation

Page.12

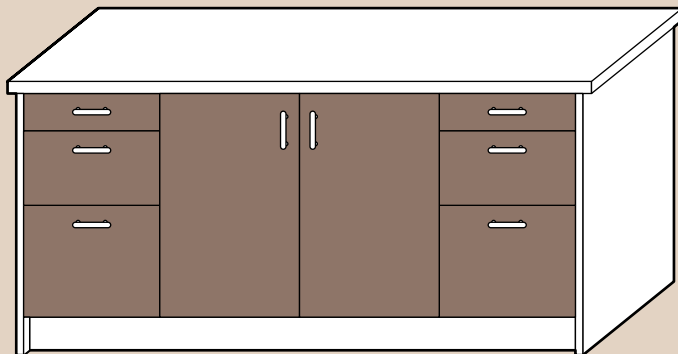
F

Floating Shelf Installation

Page.15

A

Doors and Drawer Faces



Tools required



Ikea manual



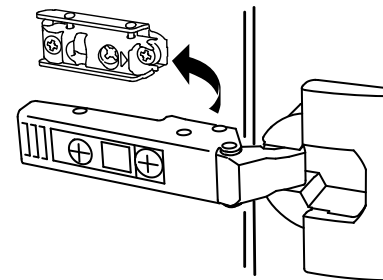
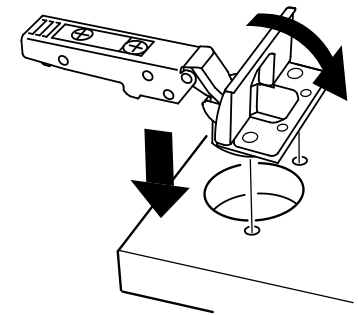
Screwdriver

Notice

All standard Semihandmade doors and drawer faces are drilled in the same way as Ikea's doors and drawer faces. Semihandmade doors and drawer faces are meant to work in conjunction with the hinges and drawers purchased at Ikea and with the instruction manuals provided by Ikea.

A1

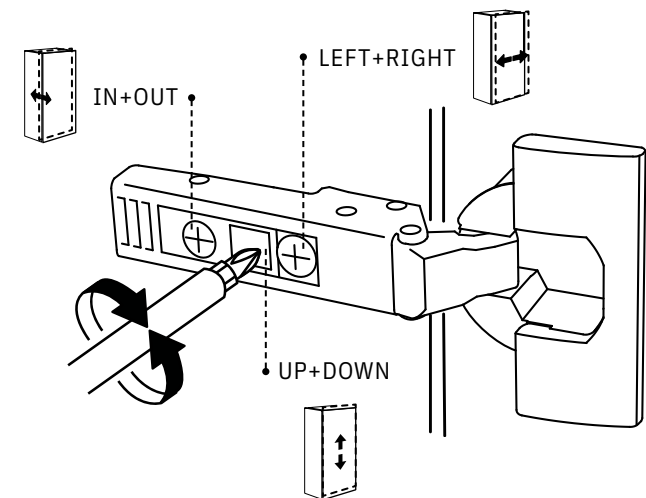
Hinges are placed in the hinge hole cups and tightened by pressing down the tension bar.



Attach the doors to the cabinet frame as per Ikea's instruction.

A2

Hinges are adjustable in many ways.

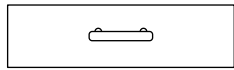


A3

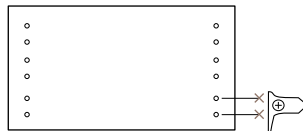
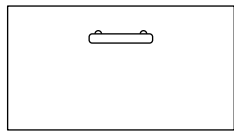
Attach the metal plugs to the drawer faces.
Below is a common example of a low, medium,
and high drawer combination.

NOTE:
Be aware that the metal plugs sit differently
on the bottom drawer.

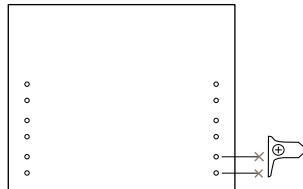
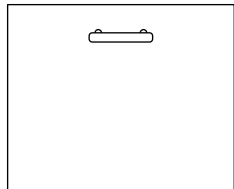
HIGH DRAWER 5"



MEDIUM DRAWER 10"



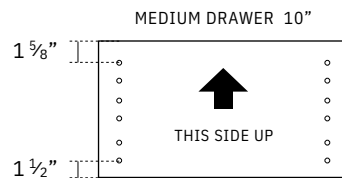
LOW DRAWER 15"



Front

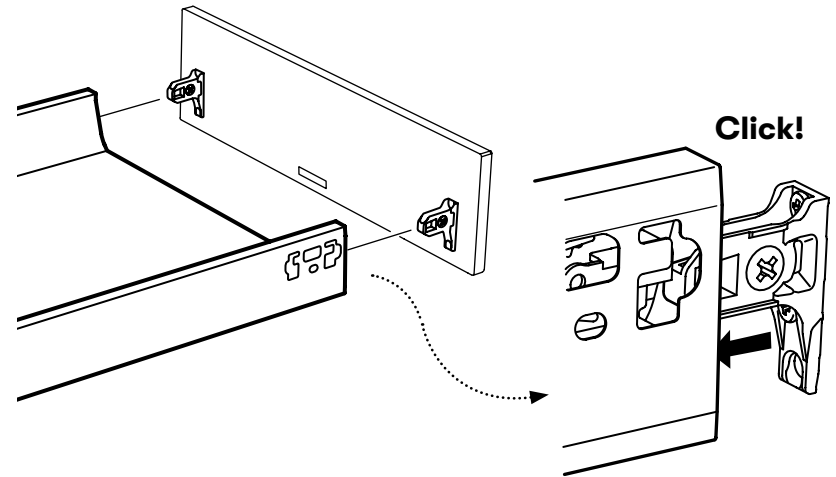
Back

NOTE:
It can be difficult to distinguish the top
from the bottom on medium (10") drawers. The
bottom hole sits 1 1/2" from the edge, while
the top sits 1 5/8" from the edge.

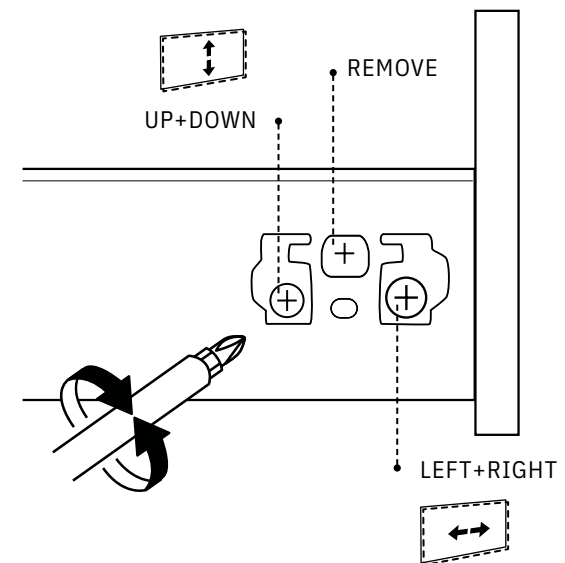


A4

Attach the drawer faces as per Ikea's instructions.

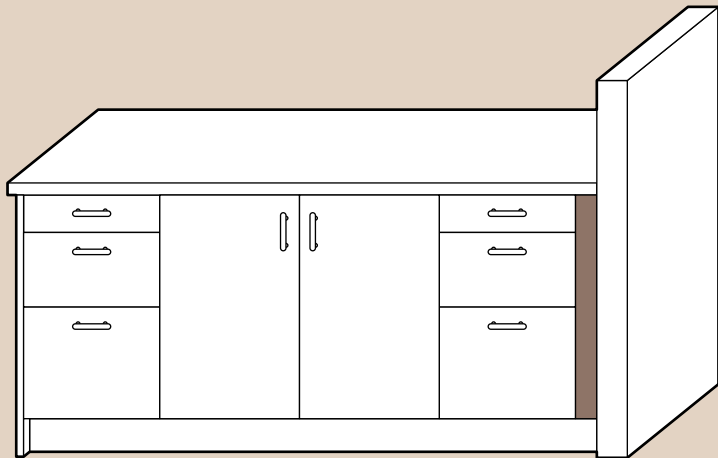


Drawer faces are adjustable.

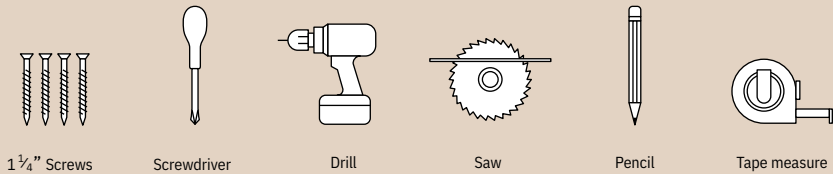


B

Filler Installation



Tools & Hardware Required



1 1/4" Screws

Screwdriver

Drill

Saw

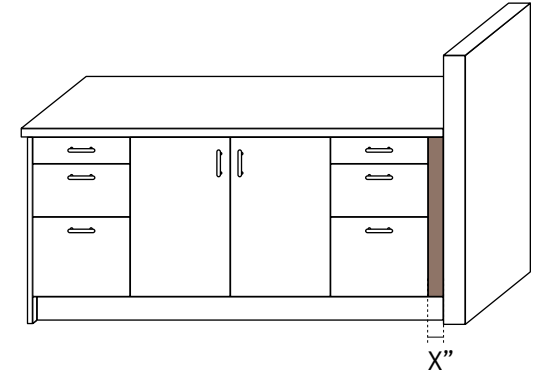
Pencil

Tape measure

Notice Semihandmade fillers are produced at a 4" width and equal the height of the adjacent cabinet (30", 40") or can be cut from 93" plinth/trim. These instructions show how to install your fillers in line with the cabinet boxes. To install fillers flush with the doors and drawer faces, please consult a professional installer.

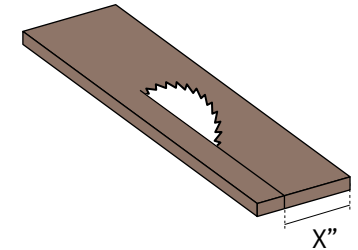
B1

Determine the specific width of the filler needed.



B2

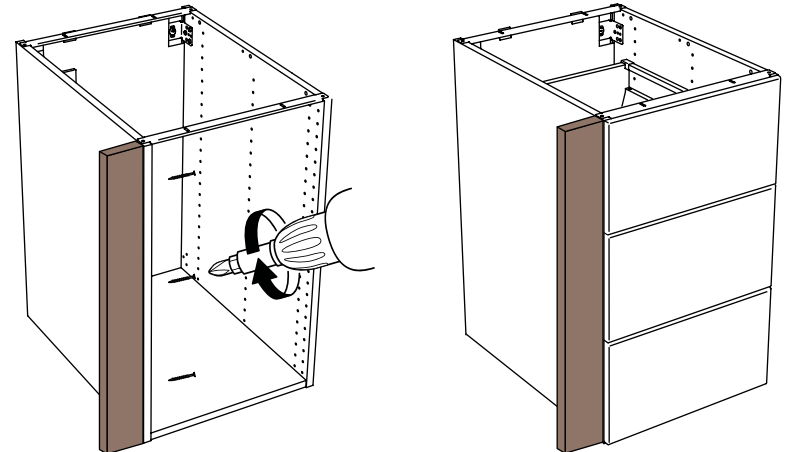
Mark and trim the filler at the required dimension.



B3

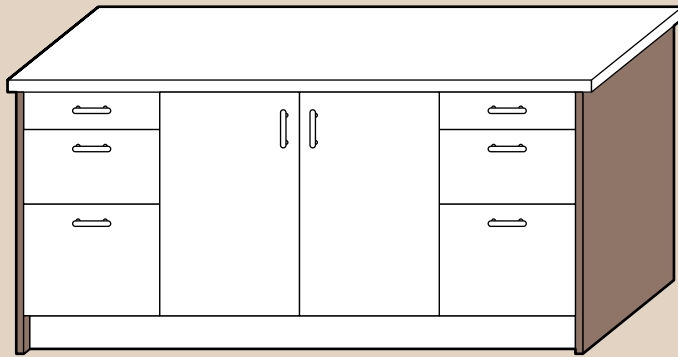
Place filler where necessary. Drill screws through the inside of the cabinet frame into the filler. Pre-drilling these holes beforehand is required to avoid splitting.

With this method, fillers are intended to be installed inline with the front of the cabinet frame and not flush with door/drawer fronts.

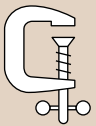


C

Panel Installation



Tools & Hardware Required



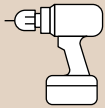
Clamp



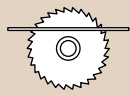
1 1/4" Screws



Screwdriver



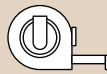
Drill



Saw



Pencil



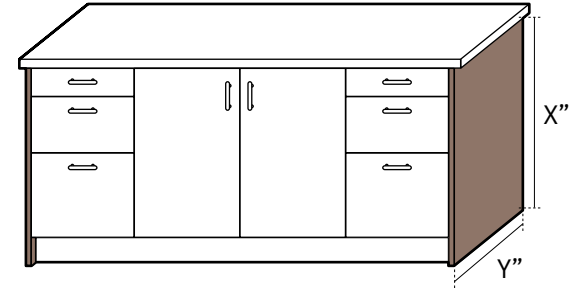
Tape measure

Notice

Semihandmade panels are 3/4" thick. Panels are made over-sized and need to be trimmed on site. Base and tall panels are intended to run from the top of the cabinet frame to the finished floor. All panels extend past the door/drawer fronts by approximately 1/8" for a built-in look. This equates to approximately 1" off the cabinet frame. Wall panels may extend lower than the cabinet frame to capture light rail or can be trimmed to the cabinet frame height (trim top).

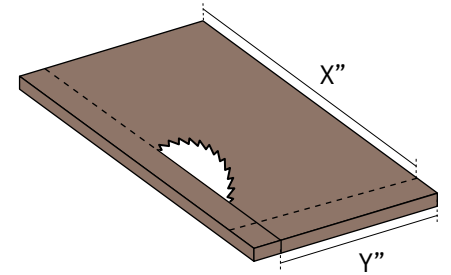
C1

Measure the height and depth of the panel needed.



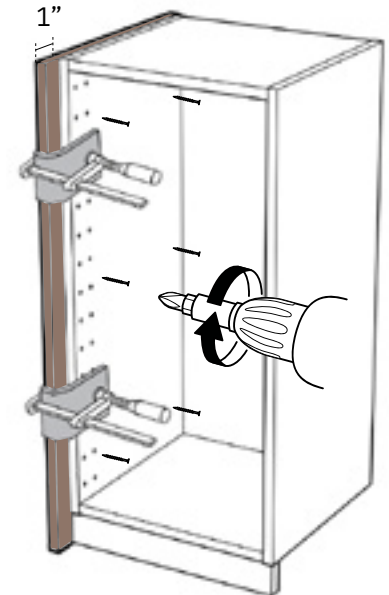
C2

Mark and trim the panel at the desired dimensions. Any resulting exposed edges are meant to face the wall, ceiling or under the counter top.



C3

Use clamps to hold the panel against the side of the cabinet frame for proper installation.

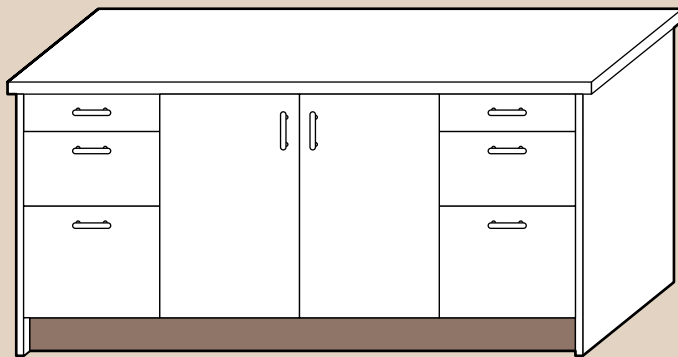


C4

Use 1 1/4" screws to attach the panel against the side of the cabinet frame. A minimum of four screws is recommended for proper installation.

D

Toe-Kick/Plinth Installation



Tools & Hardware Required



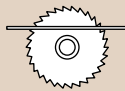
Ikea manual



5/8" Screws



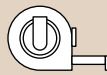
Screwdriver



Saw



Pencil

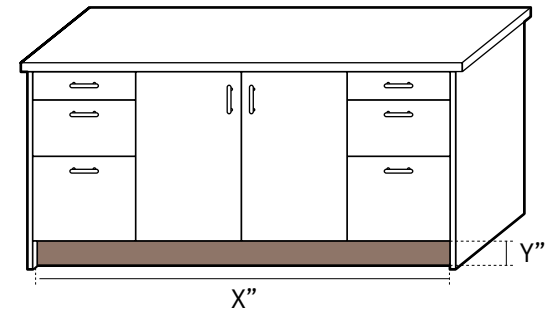


Tape measure

Notice 3/4" Semihandmade toe-kick/plinth is intended to be installed underneath the front portion of the base cabinets. Please use the Ikea toe-kick installation manual, Ikea plinth segments (if desired), and the Semihandmade installation manual.

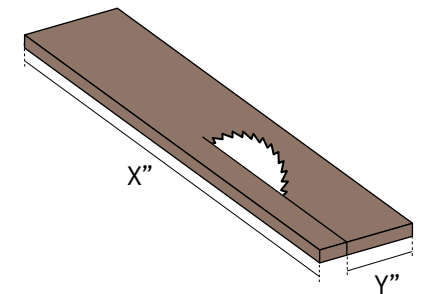
D1

Measure the height and width of the toe-kick/plinth needed.



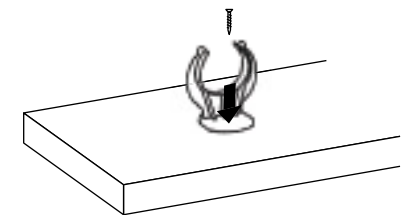
D2

Trim toe-kick/plinth if needed. Semihandmade toe-kick/plinth is produced at 5"H x 93"W.



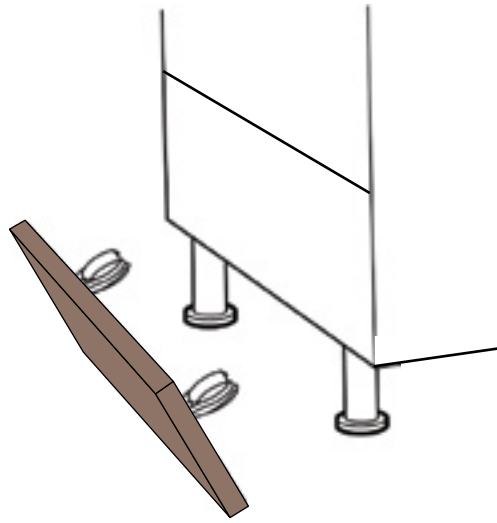
D3

Attach leg attachment clips (provided with Ikea Sektion legs) directly to the back side of Semihandmade toe-kick/plinth using 5/8" screws.



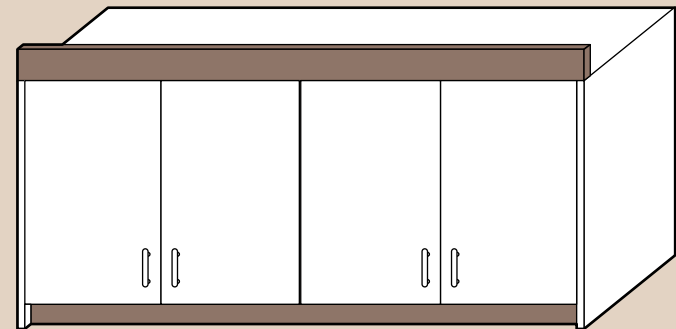
D4

Attach the toe-kick/plinth to adjustable legs (provided by Ikea).

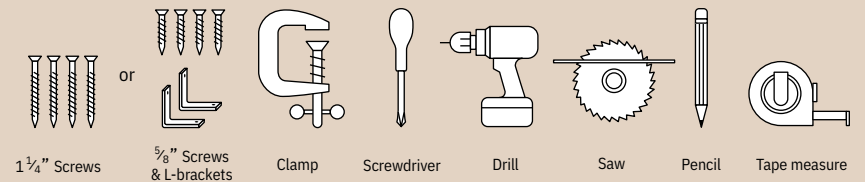


E

Upper Trim/Light Rail Installation



Tools & Hardware Required

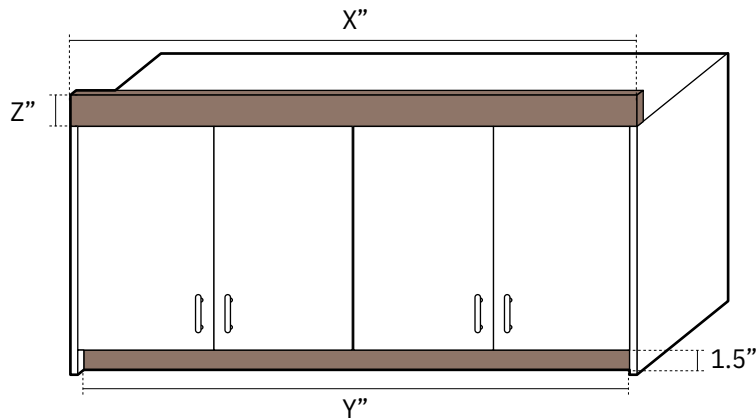


Notice

Semihandmade upper trim is meant to be installed above the wall cabinets and light rail is meant to be installed below the wall cabinets. Upper trim and light rail pieces are created by cutting our 5" x 93" plinth/trim into two pieces, approximately 3 1/2" wide and 1 1/2" wide respectively.

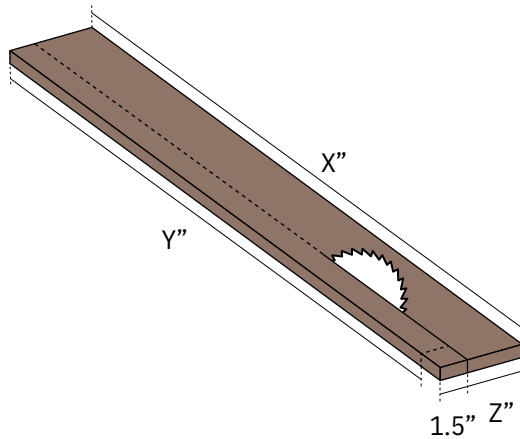
E1

Determine specific width of upper trim and/or light rail needed.



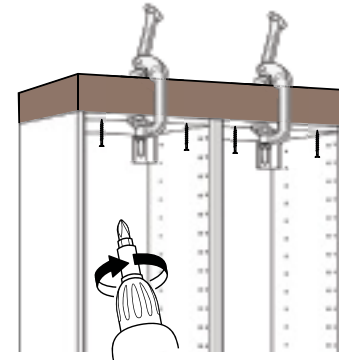
E2

Mark and cut upper trim and/or light rail to desired dimension.



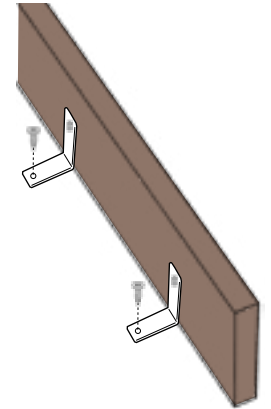
E3 opt.a

Place the upper trim above the wall cabinets, clamp and attach using finish screws. Pre-drilling these holes is required to avoid splitting.



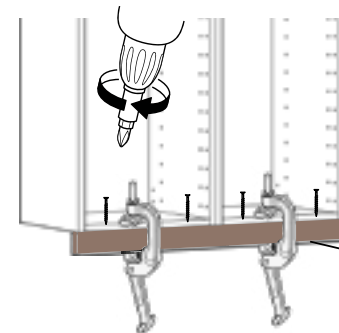
E3 opt.b

Place the upper trim above the wall cabinets, clamp and attach using L-brackets and 5/8" screws.



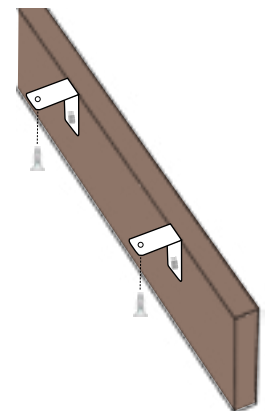
E4 opt.a

Place the light rail below the wall cabinets, clamp and attach using finish screws. Pre-drilling these holes is required to avoid splitting.



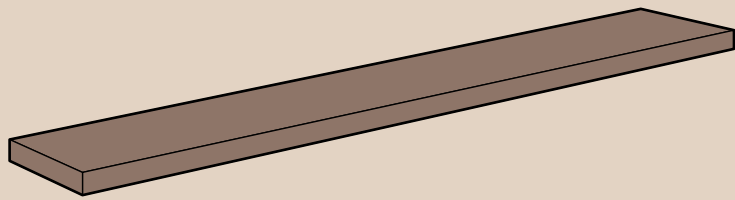
E4 opt.b

Place the light rail below the wall cabinets, clamp and attach using L-brackets and 5/8" screws.



F

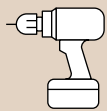
Floating Shelf Installation



Tools & Hardware Required



3" Lag Bolts



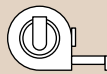
Drill



Level



Pencil



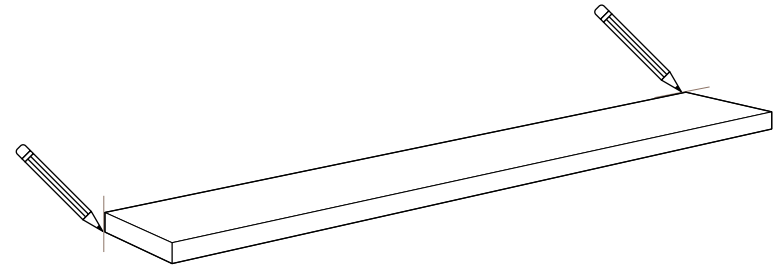
Tape measure

Notice

Professional installation is required for the floating shelves. Floating shelves are constructed with real wood veneer and a plywood core. Weight capacity of these shelves depends greatly on proper installation. All floating shelves come with a metal bracket.

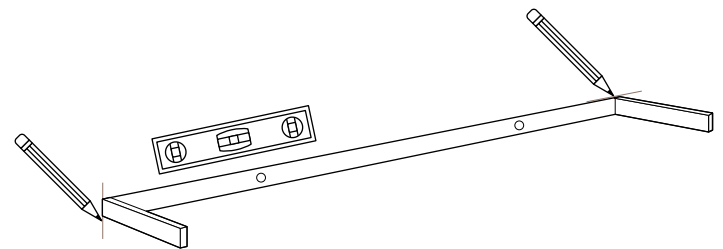
F1

Determine the shelf's location on the wall.
Mark the wall using a pencil at the top and side edges of the shelf.



F2

Use a level to mark the location of the inner metal bracket.
The bracket will be installed $\frac{3}{8}$ " below top edge of shelf, and $1\frac{1}{2}$ " from the side edges of the shelf.

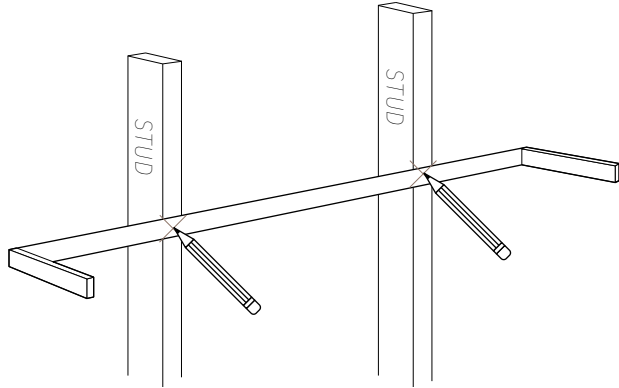


F3

Find the stud locations on the wall relative to the location of the bracket. Mark the location of the studs on the wall and on the metal bracket.

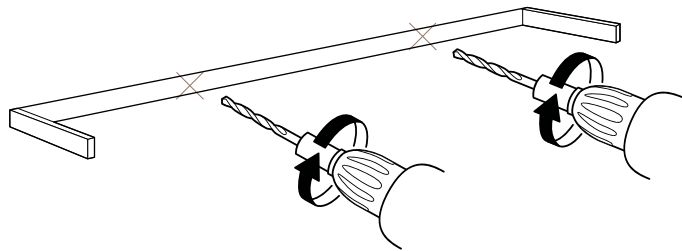
***TIP:**

If the studs are inaccessible, we recommend using professional grade toggle bolts. This will affect weight capacity.



F4

Using a $\frac{3}{8}$ " drill bit, drill a hole through the metal bracket where the stud is located. The metal bracket requires a drill bit specifically designed for metal materials.

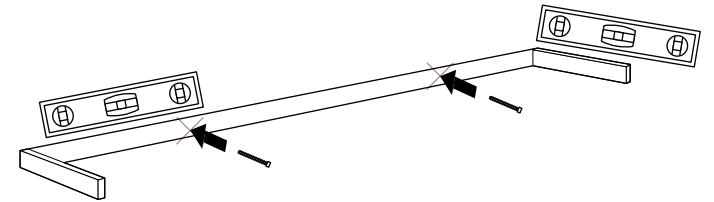


F5

Use $\frac{1}{4}$ " lag bolts, 3" long, to secure the inner metal bracket to the wall. There should be no movement whatsoever once the bracket is secured.

NOTE:

Use a level to check the bracket. If it is not installed level and plumb, your shelf will not sit level and plumb.

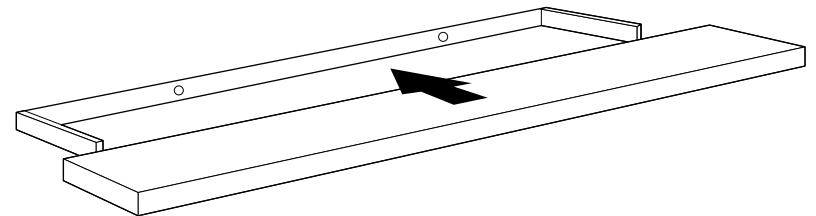


F6

Slide the shelf onto the installed bracket. Using adhesive such as clear latex caulking will add additional strength to the installation.

***TIP:**

Shelf not sliding completely against the wall?
Try drilling out the back channel for the lag bolt heads.



Need Help?

*For technical questions please contact us
at info@semihandmade.com*

*For other issues contact us
at help@semihandmade.com*

semihandmade.com