

IKD

FINAL
DESIGN

01.31.2023

inspiredkitchendesign.com

INSPIREDKITCHENDESIGN

Your *semihandmade* Kitchen Design

IKEA KITCHEN AREA DESIGN WITH SEMIHANDMADE FRONTS

IKD

Hi! Lisa I'm Florence

As IKD's Design Coordinator, I'll be coordinating all aspects of your design with each of our individual designers.

And be your primary contact throughout our design process.



Designed by



Merari

I'll be designing your kitchen! It's my responsibility to review your submittal information, measurements and Design Survey to create your IKEA kitchen design.

IKD + *semihandmade*

We'll Prepare Your Semihandmade (SHM) Order

Our standard design process integrates SHM and IKEA – simplifying ordering. Here's how:

- We created your SHM shopping cart to calculate materials and prices.
- You'll receive an email within two days outlining SHM's complete order and total price.
- Once your design is completed we'll send your populated IKEA Home Planner and SHM shopping cart – both ready for your purchase.

We designed your IKEA Kitchen With Semihandmade Doors:

CLJ Shaker Cove



IKD

01

Elevation & Renderings



*INSPIRED*KITCHEN*DESIGN*

We use kitchen industry professional software to produce high-quality color **renderings**. You'll truly be able to see and understand your entire kitchen.

The **Elevations** are vertical views of your kitchen walls. It's the easiest and most detailed way to know the specifics for each cabinet along the wall. This allows you to review measurements, appliance locations and cabinet distribution

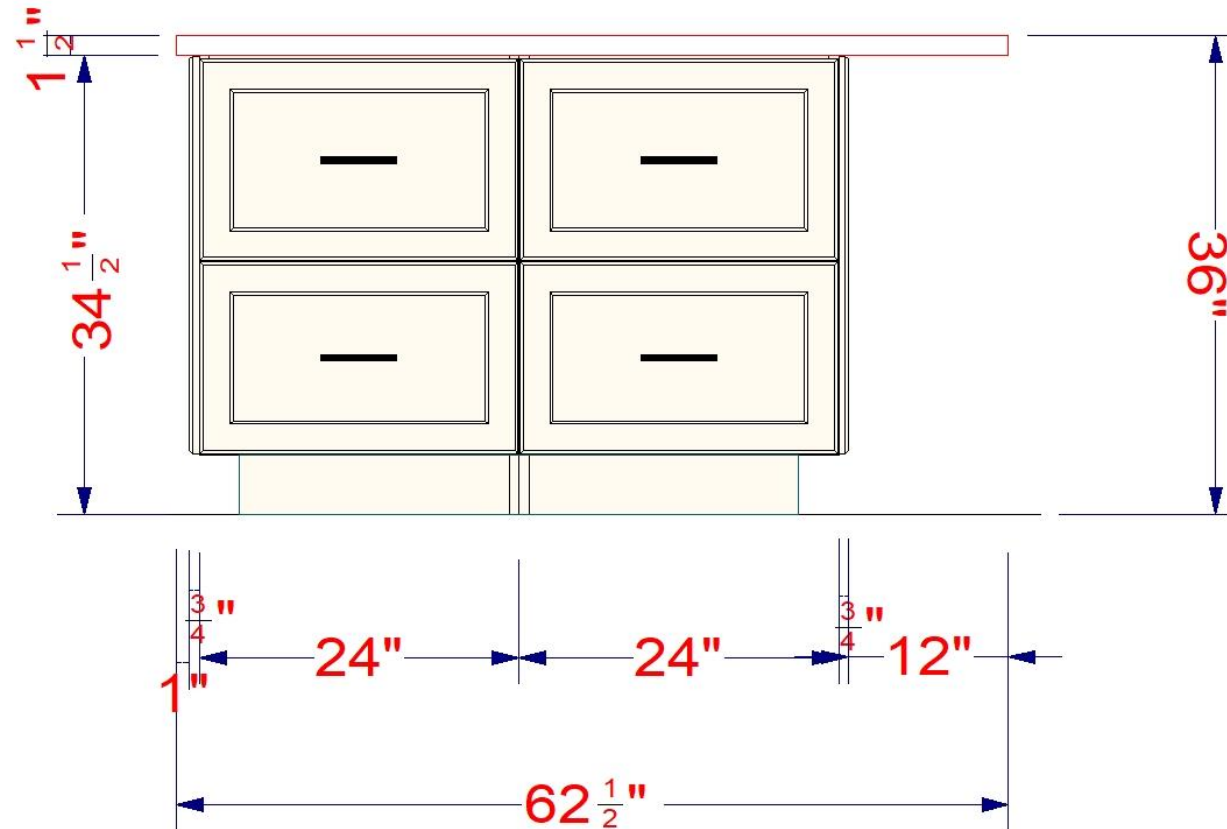
All dimensions size designations given are subject to verification on job site and adjustment to fit job conditions.



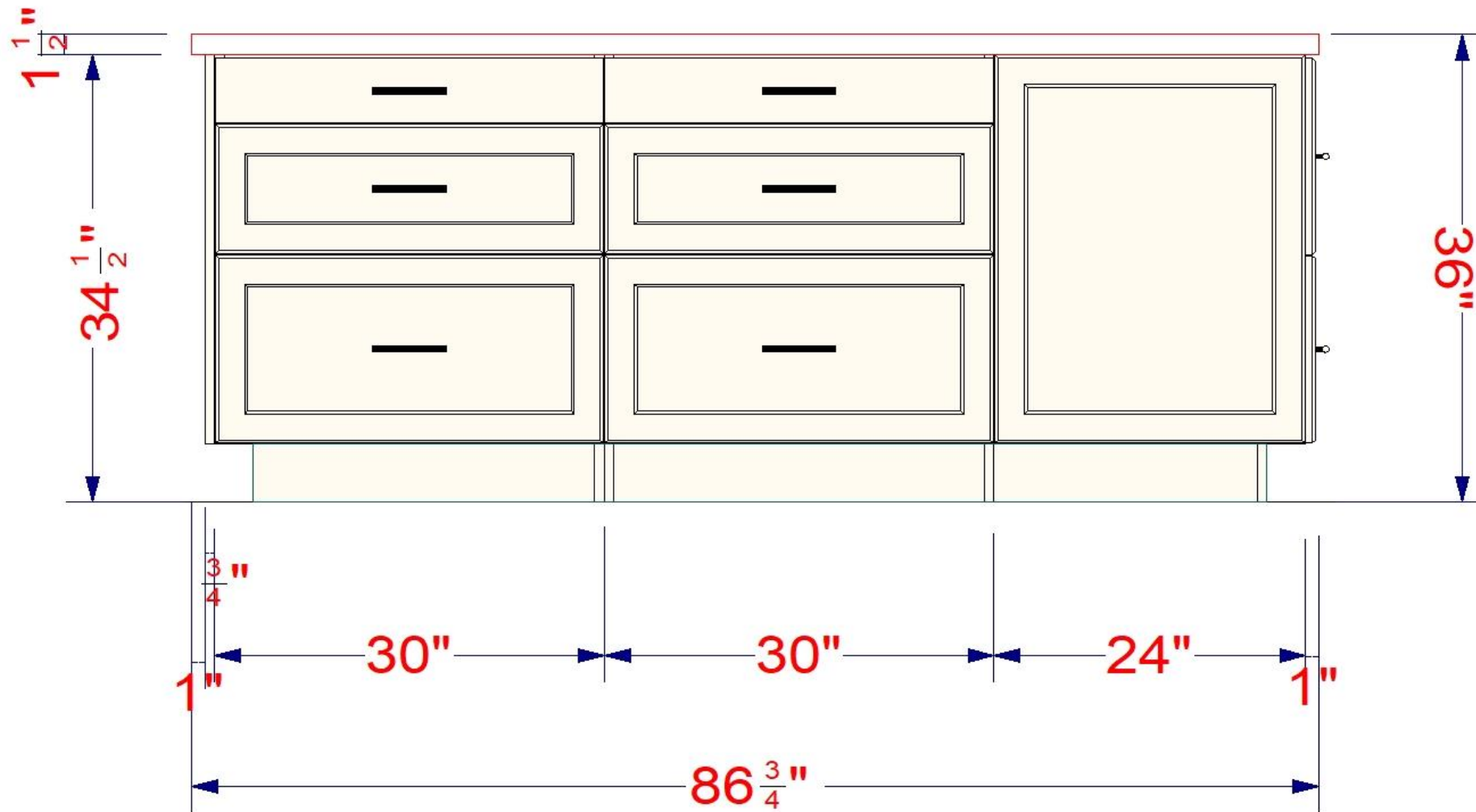




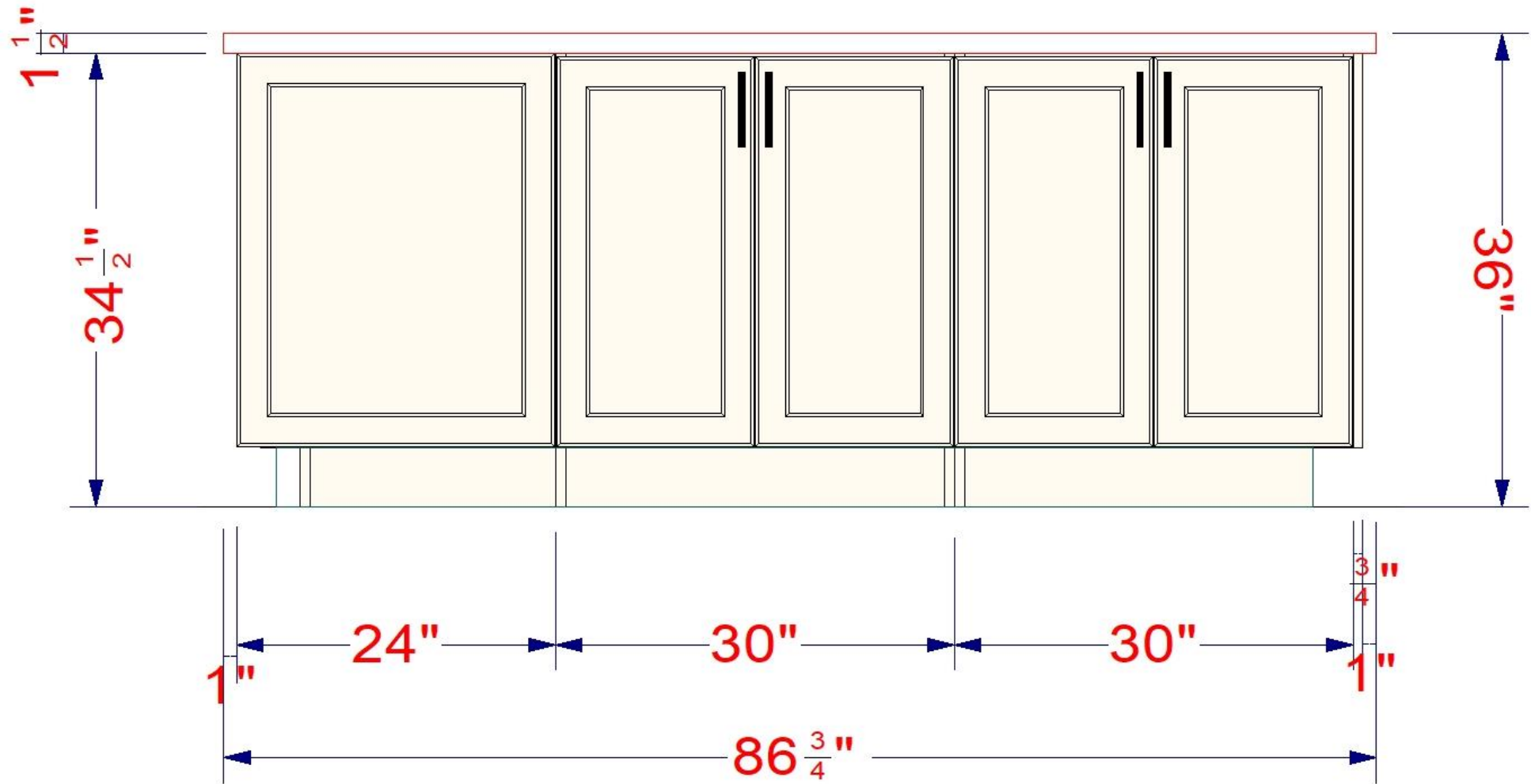












IKD

02

Floor Plans

- Floor Plan
- Panel
- Countertop
- Numbered Floor Plan



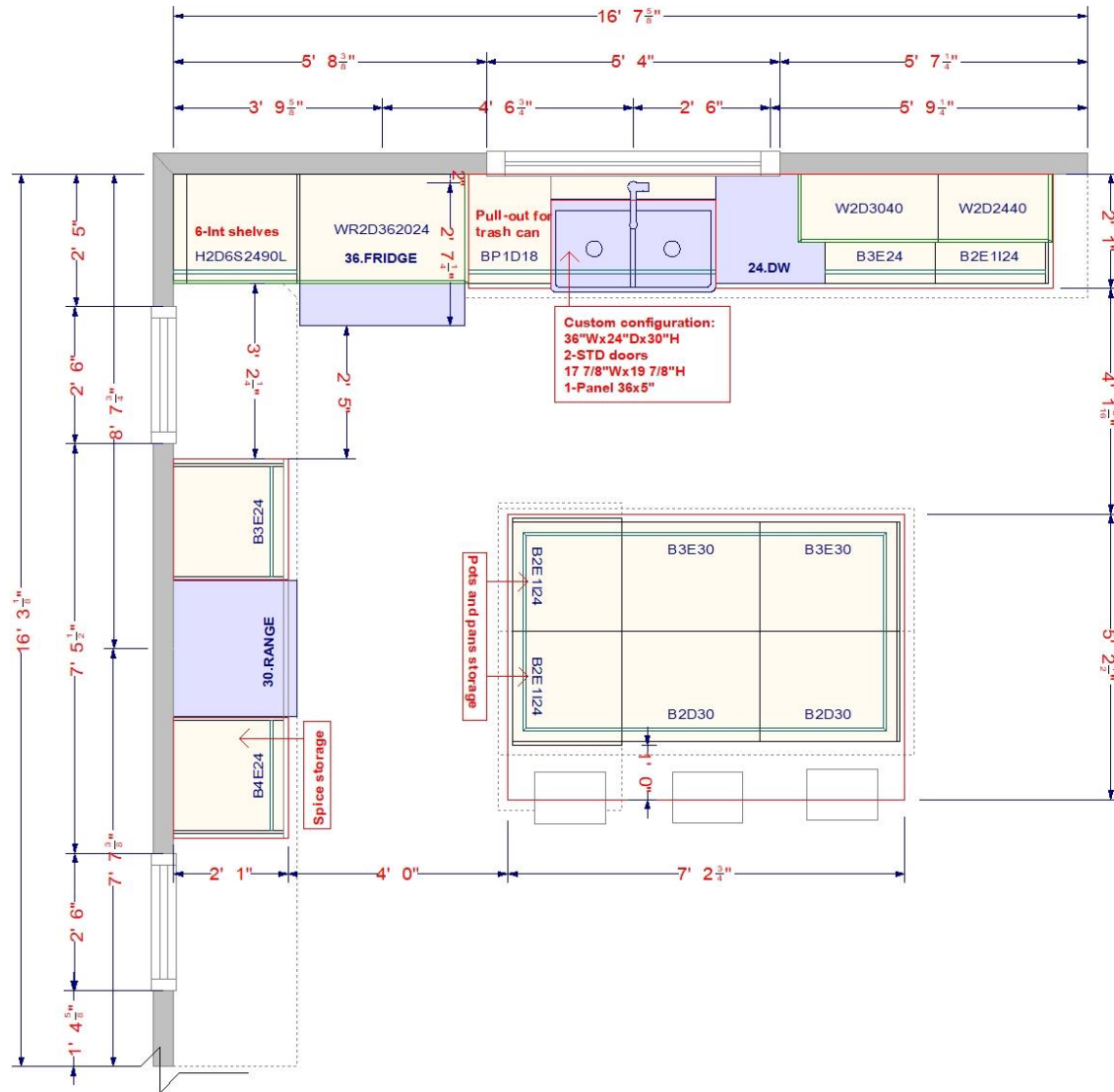
*INSPIRED*KITCHEN*DESIGN*

These are schematic drawings of your kitchen with measurements as seen from above. You'll see the overall space layout. All walls, doors, windows and walkways are included.

All dimensions size designations given are subject to verification on job site and adjustment to fit job conditions.

Top View





Your Design:

Door Style:
-SHM CLJ Shaker, Cove

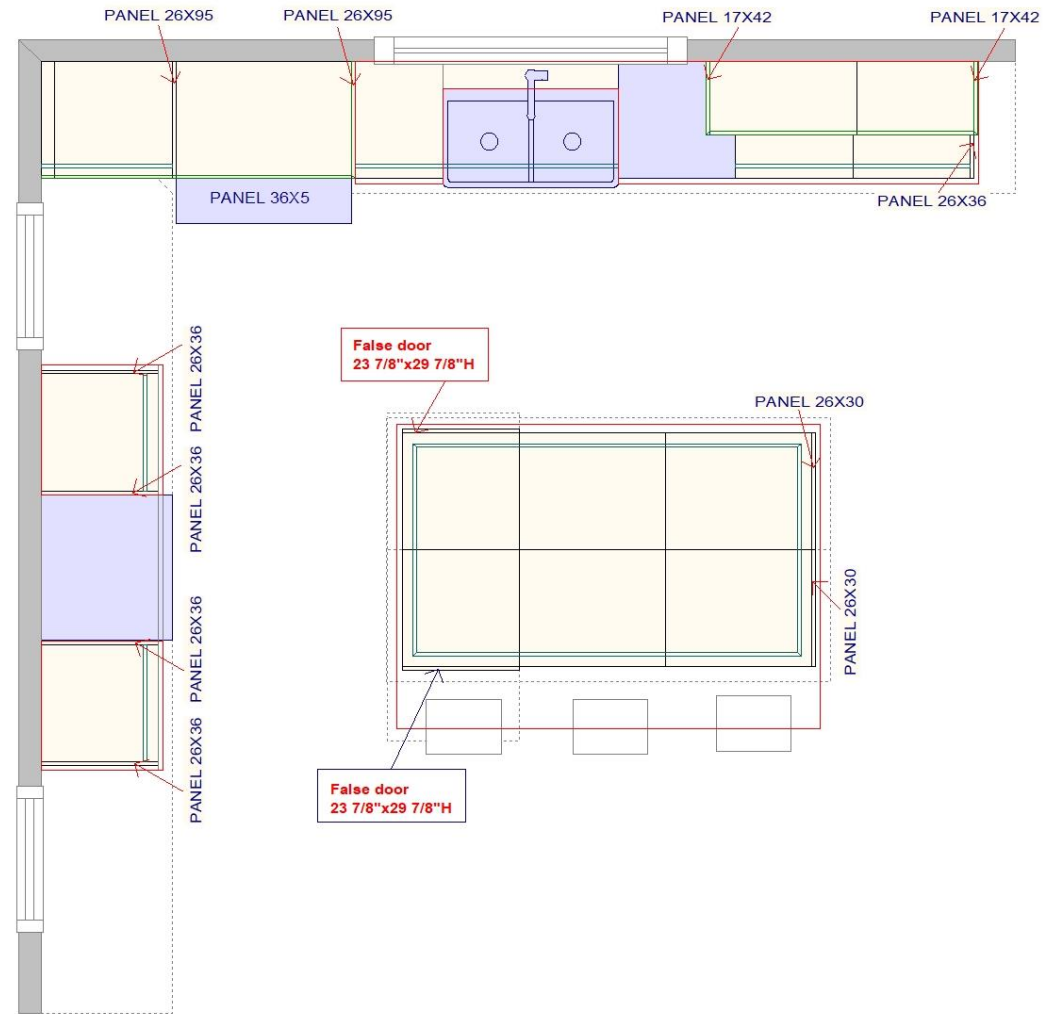
Cabinet Frame Finish: White

Drawers: Maximera

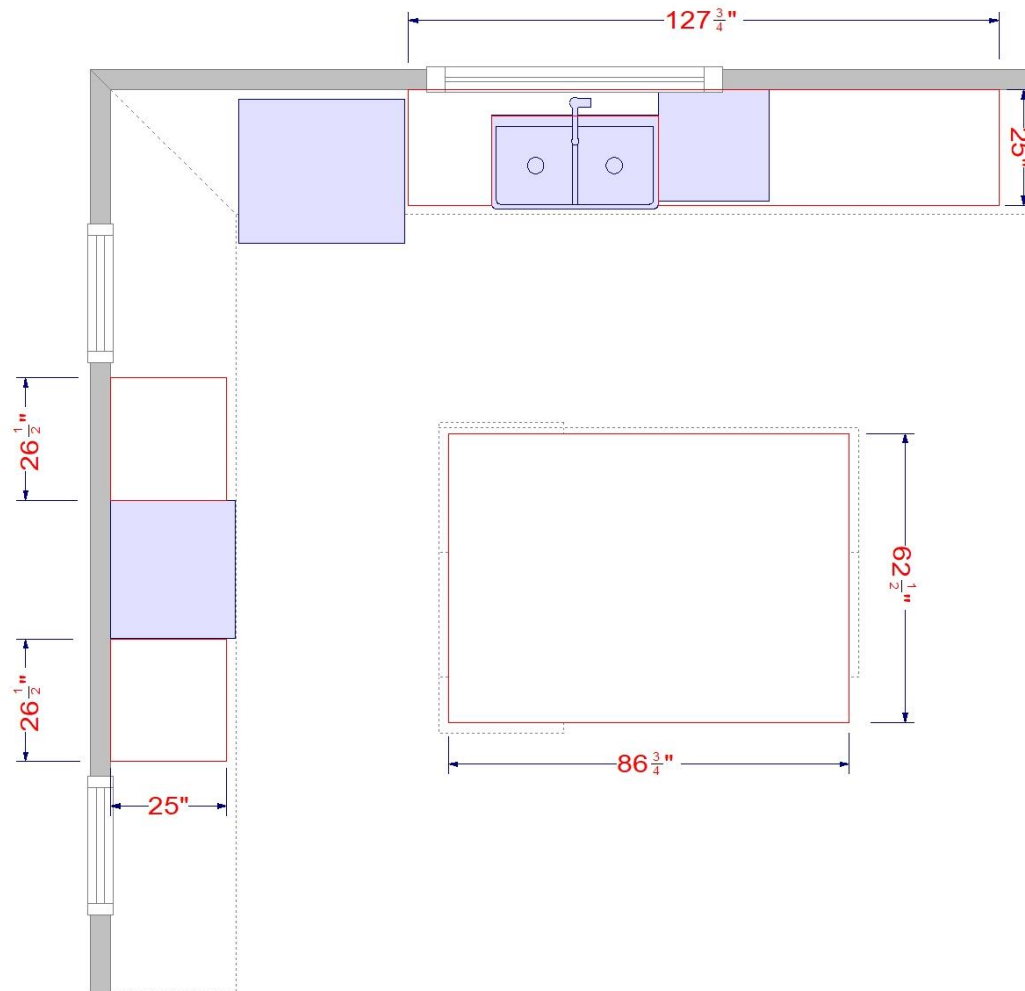
Ceiling Height: 132" / 192"

Wall Cabinet alignment: 94 1/2"

FP Panel



FP Countertop



FP Numbered



Thanks for designing with us :)

Questions? Contact us:
florence@inspiredkitchendesign.com



IKD