

*semihandmade*

# Measuring Guide

HOW TO MEASURE FOR YOUR REPLACEMENT CABINET FRONTS

---

There are a number of factors that go into providing us with the proper measurements and details to get your custom door order perfect. Please review the steps below carefully and refer to our [FAQs](#) for additional help.

If you're ready to order, please review the [How to Order](#) steps.

## Step 1:

Decide if you are reusing your existing hinges or purchasing hinges from Semihandmade.

**I'm using my existing hinges**

SKIP TO STEP 3

OR

**I'm purchasing new hinges from Semihandmade**

CONTINUE TO STEP 2

### IMPORTANT NOTE:

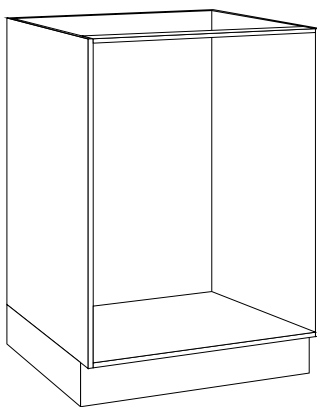
If you plan to use your existing hinges, your doors will come UNDRILLED and will need to be drilled onsite by you or your contractor to ensure a seamless fit.

## Step 2:

Determine if you have framed or frameless cabinets.

**I have frameless cabinets**

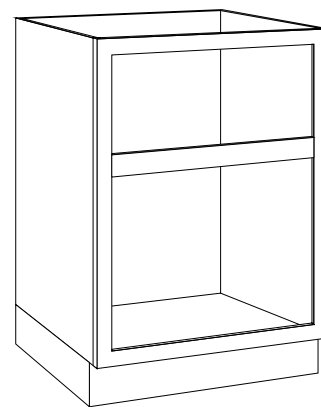
CONTINUE TO STEP 3



OR

**I have framed cabinets**

CONTINUE TO STEP 3

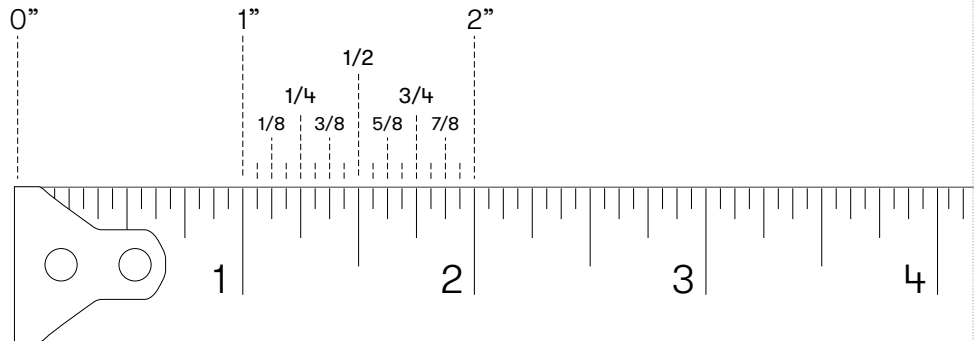


## Step 3:

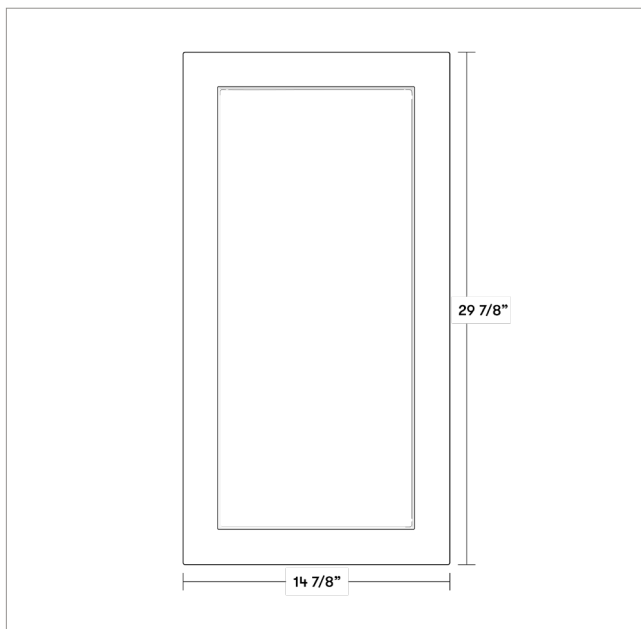
Measure according to your project type.

### HELPFUL HINT:

Cabinet door measurements are very precise, so do not use any rounding. You will likely have fractions for each door or drawer front you're ordering.



## HOW TO MEASURE IF YOU'RE Using Your Existing Hinges



Measure each of your existing cabinet doors and drawer fronts—from the back side—that you want to replace.

### HELPFUL HINT:

Typically, a door or drawer face will be  $\frac{1}{8}$ " shy of the cabinet width and height. For example, a 15" x 30" cabinet box will need a  $14 \frac{7}{8}$ " x  $29 \frac{7}{8}$ " door. It's important to be very precise when entering these measurements.

Record each measurement and be sure to select **NO HINGES / UNDRILLED** at checkout.

HOW TO MEASURE IF YOU'RE

## Purchasing New Hinges for Frameless Cabinet Fronts



Measure each of your existing cabinet doors and drawer fronts—from the back side—that you want to replace.

**HELPFUL HINT:**

Typically, a door or drawer face will be  $\frac{1}{8}$ " shy of the cabinet width and height. For example, a 15" x 30" cabinet box will need a 14  $\frac{7}{8}$ " x 29  $\frac{7}{8}$ " door. It's important to be very precise when entering these measurements.

Record each measurement and be sure to select **FRAMELESS HINGES & DRILLING** at checkout.

Please note **ONLY** doors will come pre-drilled with new hinges. Drawer fronts and panels will arrive undrilled.



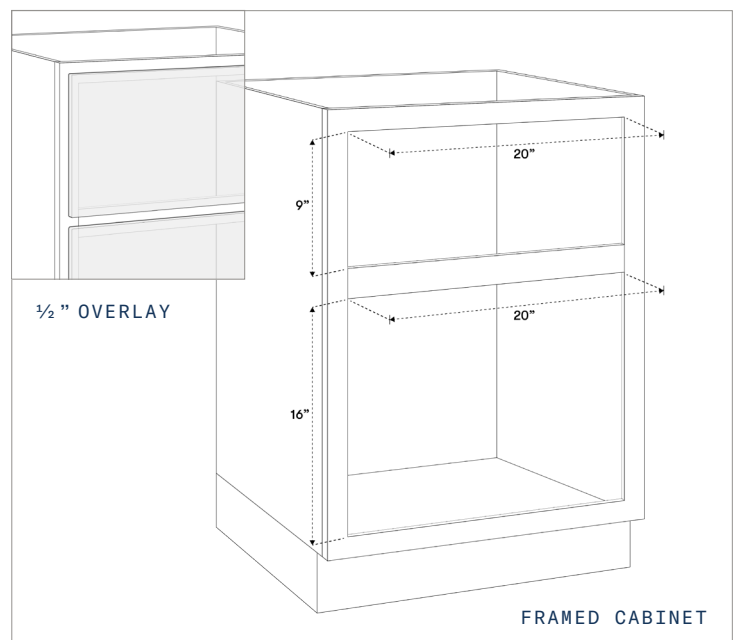
HOW TO MEASURE IF YOU'RE

## Purchasing New Hinges for Framed Cabinet Fronts with a $\frac{1}{2}$ " Overlay



There are different thicknesses to the frames on framed cabinets, so to ensure we provide you with the correct hinges, you'll need to measure the **OPENING** that you want the door or drawer front to cover rather than the door itself.

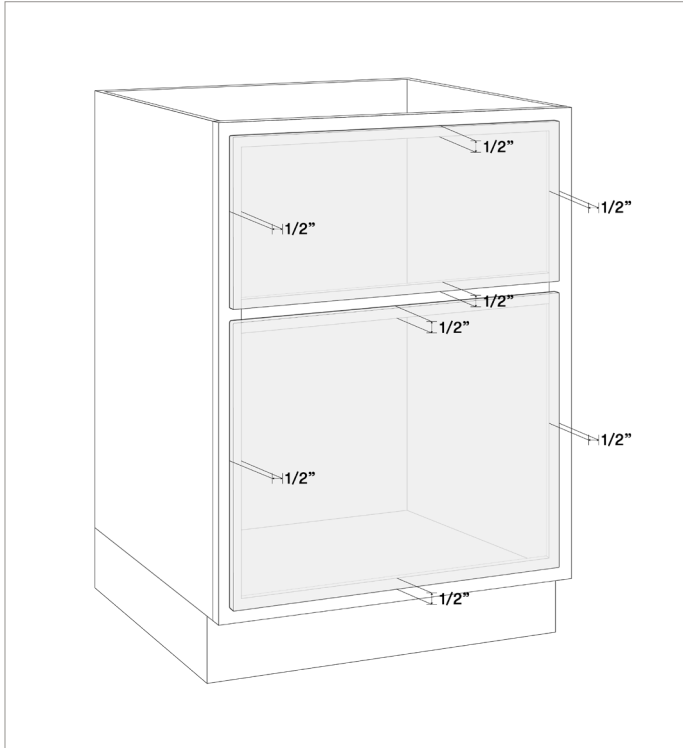
This section provides instructions and examples for a  $\frac{1}{2}$ " overlay, which is the industry standard.



---

## FOR SINGLE DOOR OPENINGS & DRAWER FRONTS WITH A 1/2" OVERLAY

---



Measure the height and width of the opening of the cabinet frame that you want the front to cover. Add 1" to the height and 1" to the width to account for the overlay.

For example, say your opening is 20" wide and 16" tall. If you wanted to put one door over this opening, you would take the 20" width and add 1/2" to the left and 1/2" to the right (1" total), leaving you with a 21" wide cabinet door. Then, take the 16" height and add 1/2" to the bottom and 1/2" to the top (1" total), leaving you with a 17" tall cabinet door. Thus, you'd order an 21" wide x 17" tall door for this single opening.

For a drawer opening that is 9" high x 20" wide, you'd order a 10" high x 21" wide drawer front for a 1/2" overlay.

Record each measurement and be sure to select

**FRAMED HINGES & DRILLING** at checkout.

---

Please note **ONLY** doors will come pre-drilled with new hinges. Drawer fronts and panels will arrive undrilled.

---

## FOR DOUBLE DOOR OPENINGS WITH A 1/2" OVERLAY

---

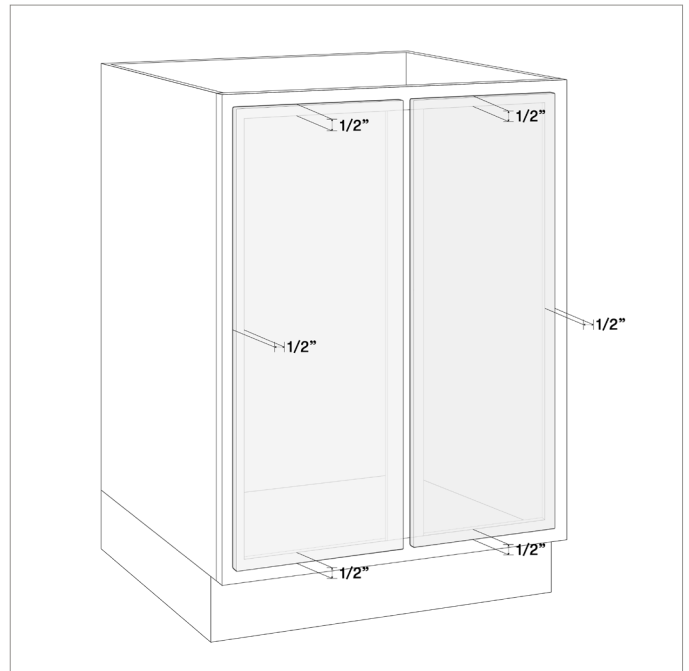
Measure the width of the opening of the cabinet frame you want to cover. Add 1" to your measurement to account for the overlay. Divide that measurement by 2 (for two doors). For the height—take the opening height and add 1" to the measurement to account for the overlay.

For example, say your opening is 20" wide and 30" high. If you wanted to put two doors over this opening, you would take the 20" width and add 1/2" to the left and 1/2" to the right (1" total), leaving you with 21". Divide that by 2 (for two doors), and you would need two 10 1/2" wide doors. For the height, add 1/2" to both the top and the bottom (1" total), leaving you with a 31" high door. The final order would be two 10 1/2" wide x 31" high doors.

Record each measurement and be sure to select

**FRAMED HINGES & DRILLING** at checkout.

---

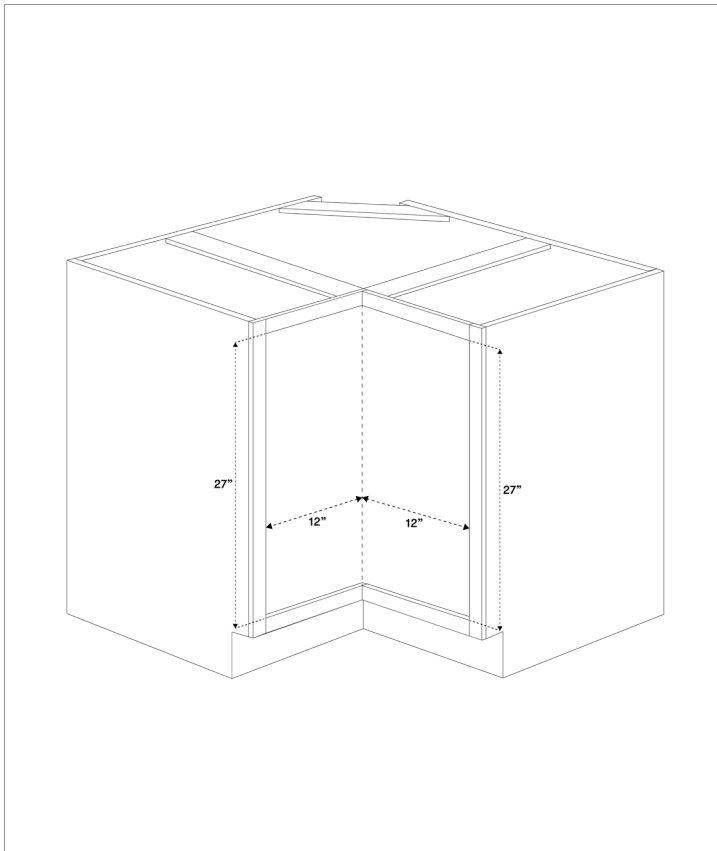


## HOW TO MEASURE FOR

# Lazy Susans



### If Your Lazy Susan Cabinet is Framed & You're Purchasing Hinges from Semihandmade



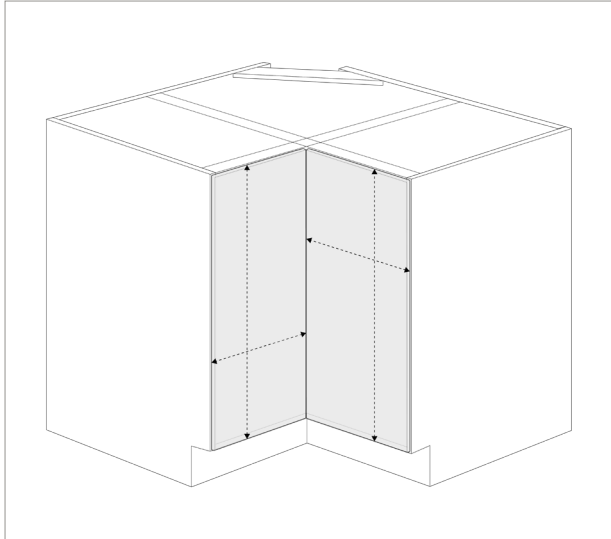
- 1 Measure the width of one side of the opening from the inside edge to the corner. Then add  $\frac{1}{2}$ " for standard overlay.
- 2 Subtract the thickness of the door (all of our doors are  $\frac{3}{4}$ " thick) from the width measurement. This will ensure each door has enough room to fold in on itself.
- 3 Measure the height of the opening from top to bottom. Then add 1" for standard overlay.
- 4 Record your measurements and order as two separate doors.

Be sure to select **LAZY SUSAN** as the Type of Piece for both doors.

Select **FRAMED HINGES & DRILLING** at checkout.

For example, say both openings for your Lazy Susan are 12" wide and 27" high. For a  $\frac{1}{2}$ " overlay, take the 12" width and add  $\frac{1}{2}$ " to it. Then, subtract the thickness of the door ( $\frac{3}{4}$ "), giving you a total of  $11\frac{3}{4}$ ". Then, take the 27" height and add a  $\frac{1}{2}$ " to the top and a  $\frac{1}{2}$ " to the bottom (1" total) leaving you with a 28" high cabinet door. Thus, you'd order two  $11\frac{3}{4}$ " wide x 28" high doors.

**If Your Lazy Susan Cabinet is  
Frameless & You're Purchasing  
New Hinges from Semihandmade**

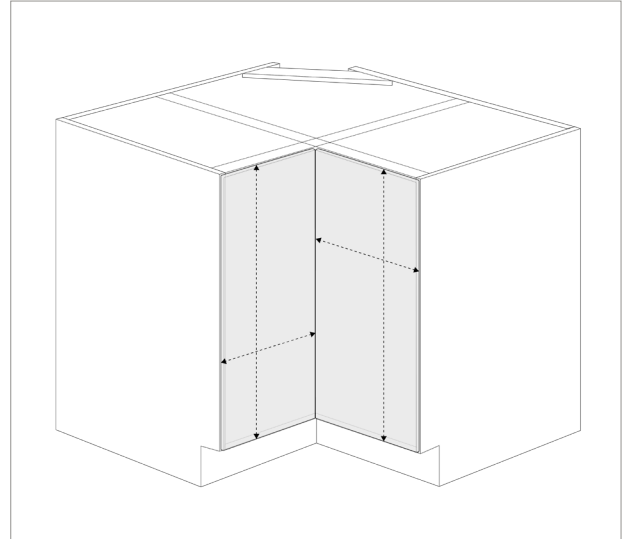


- ① Measure the width and height of each piece of the Lazy Susan door separately from the back side of the doors.
- ② Record your measurements and order as two separate doors.

Be sure to select **LAZY SUSAN** as the Type of Piece for both doors.

Select **FRAMELESS HINGES & DRILLING** at checkout.

**If You're Reusing Your Existing  
Hinges for a Framed or Frameless  
Lazy Susan**



- ① Measure the width and height of each piece of the Lazy Susan door separately from the back side of the doors.
- ② Record your measurements and order as two separate doors.

Be sure to select **LAZY SUSAN** as the Type of Piece for both doors.

Select **NO HINGES/DRILLING** at checkout.

Please note:

Lazy Susan doors will come in two pieces with two sets of hinges (if you selected hinges)—one set to install the door into the frame of the cabinet and one set to connect the two doors.

# Measure Chart

	WIDTH (Inches)	WIDTH (Fraction)	HEIGHT (Inches)	HEIGHT (Fraction)	TYPE OF PIECE (Door, Drawer, Lazy Susan etc.)
EXAMPLE	15	$\frac{7}{8}$	29	$\frac{7}{8}$	Door
PIECE 1					
PIECE 2					
PIECE 3					
PIECE 4					
PIECE 5					
PIECE 6					
PIECE 7					
PIECE 8					
PIECE 9					
PIECE 10					
PIECE 11					
PIECE 12					
PIECE 13					
PIECE 14					
PIECE 15					
PIECE 16					
PIECE 17					
PIECE 18					
PIECE 19					
PIECE 20					
PIECE 21					
PIECE 22					
PIECE 23					
PIECE 24					
PIECE 25					
PIECE 26					
PIECE 27					
PIECE 28					