

# Coronado Casuals™

OUTDOOR FURNITURE | PATIO UMBRELLAS

## Instruction Manual Royal Palm 4-Piece Set



### **2-YEAR FRAME AND WEAVE LIMITED WARRANTY**

We warrant the Frame and Resin Weave to be free of manufacturing defects to the original purchaser for two years. It remains the customer's responsibility for freight and packaging charges to and from our service center. This warranty does not cover commercial use, hardware, acts of nature, fire, freezing and abusive use. In addition, purchased parts are not covered under this warranty. We reserve the right to make substitutions with similar merchandise, if the model in question is no longer in production. THIS IS A RESIDENTIAL WARRANTY ONLY AND THIS WARRANTY DOES NOT APPLY TO COMMERCIAL USE.

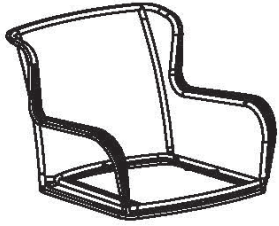
*Made in China*

**FOR ASSISTANCE, CONTACT CORONADO CASUALS AT 1-888-691-2824**

# ASSEMBLING INSTRUCTION

ITEM: Royal palm lounge chair

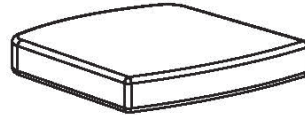
## COMPONENT PARTS LIST



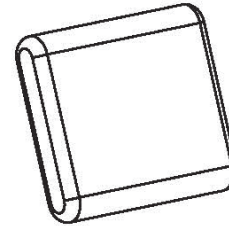
A



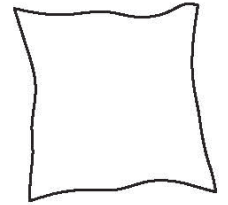
B



C

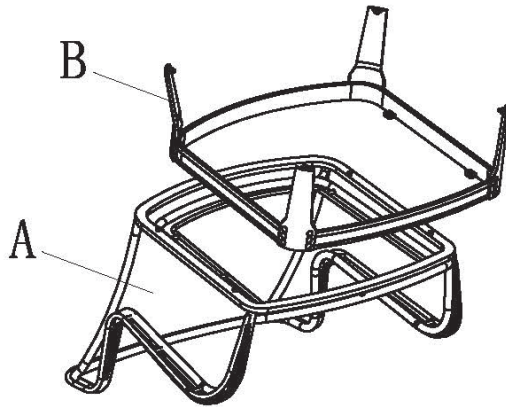


D

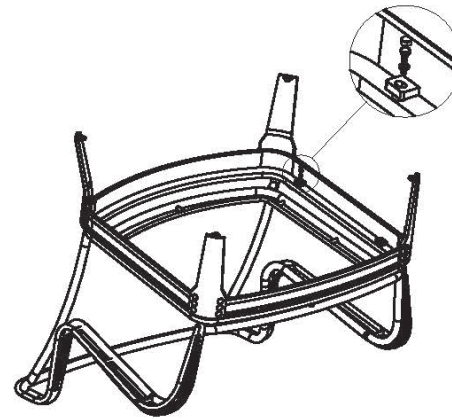


E

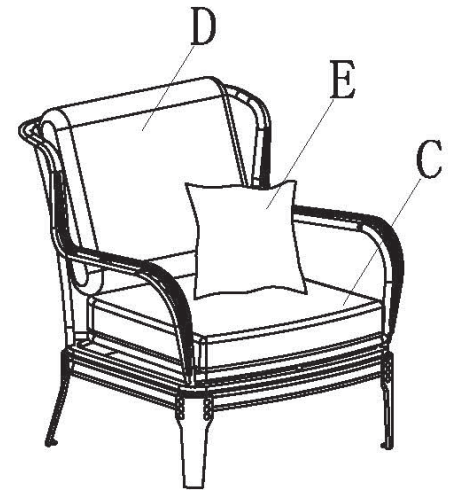
## ASSEMBLY INSTRUCTION



Step1



Step2



Step3

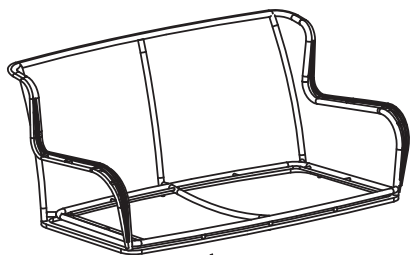
### HARDWARE LIST

NO.	DESCRIPTIONS	Q. ty
①	M6*25	04
②	M6-M8	01

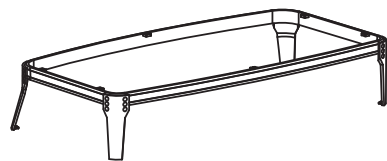
# ASSEMBLING INSTRUCTION

ITEM: Royal palm loveseat

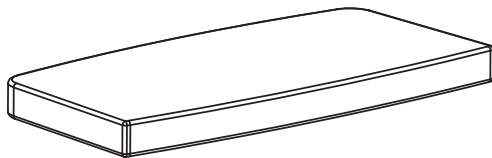
## COMPONENT PARTS LIST



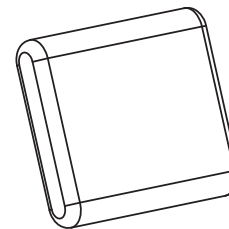
A



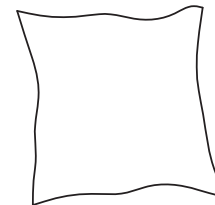
B



C

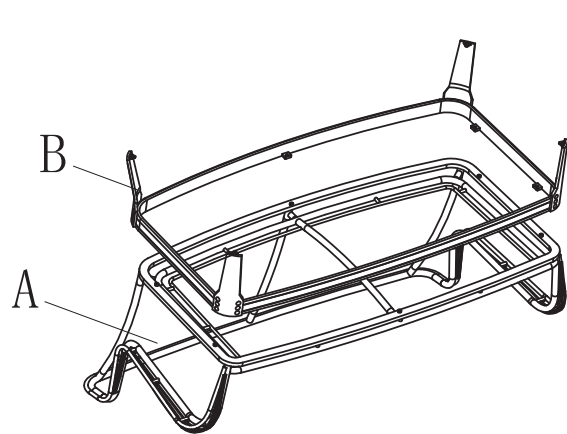


DX2

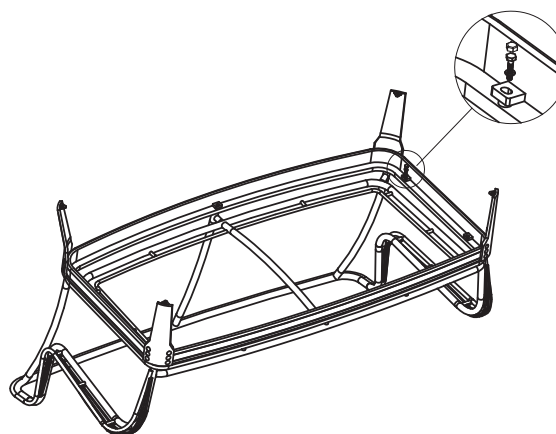


EX2

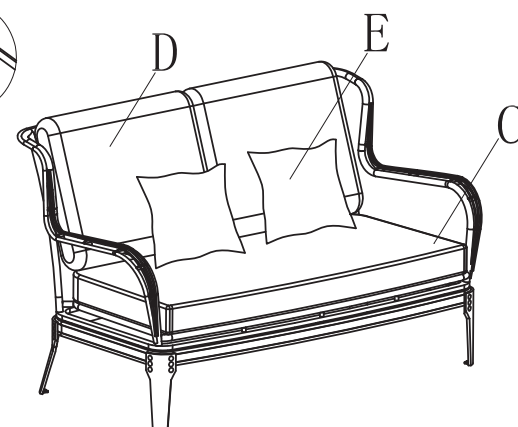
## ASSEMBLY INSTRUCTION



Step1





Step2



Step3

### HARDWARE LIST

NO.	DESCRIPTIONS	Q. ty
①	 M6*25	06
②	 M6-M8	01

## CARE & MAINTENANCE

*Outdoor furniture can be enjoyed for many years when well maintained.*

### **Regular Maintenance**

Wash the furniture with a solution of mild detergent and water, rinse with clear water, and dry thoroughly. To all metal frames, apply a fine, clear automobile wax for maximum protection against harmful ultraviolet exposure and salt air. For best protection, perform this maintenance two or three times per year in low pollution areas or more frequently in high pollution areas. Please note that these durable materials can be safely cleaned as often as desired. Note: Some suntan and sun block products may be harmful to resin, cushions and strap, mesh and vinyl lace and strap. Do not allow such products to come in contact with any seating surfaces to avoid deep penetrating stains, which are not covered under warranty.

### **How to Clean & Care for Teak Furnishings**

Left alone to age, the natural color of teak furnishings will weather to a soft, silver grey. This process will take approximately nine months, depending on the degree of sunlight and rain exposure. Imperfections, which are inherent properties of the wood, will show over time, enhancing the beauty of the furniture. In humid or wet climates, or after rains, the wood may naturally expand and contract, causing the grain to rise. This is to be expected with exposure to the elements and will stabilize after the initial weathering occurs. To maintain teak furnishings, use a soft bristled utility brush and stroke lightly in the direction of the grain to remove surface dust. For more stubborn dirt, the wood may be washed with a mild solution of four parts laundry detergent or dish washing soap to one part bleach in water, then rinsed thoroughly and allowed to dry completely. Oiling the wood may cause mildew or irregular coloring.

### **How to Clean Brass Furnishings**

Brass will naturally patina to a reddish-brown or greenish-blue finish, depending on local conditions. This is a natural process of the material. To restore the satin finish, polish the length of the frame with a non-woven, non-abrasive pad. Be careful to keep any cleaner from contact with the seating material, as it may cause discoloration.

### **How to Clean Woven Furnishings**

Woven furnishings are made of durable and weatherproof extruded polyethylene resinweave. Light stains and soils may be removed with a solution of mild detergent and water, rinsed with clear water and dried thoroughly. Mildew and heavy stains can be removed with a quality commercial outdoor furniture cleaner and protectant. Woven furnishings may not be suitable for intensely hot climates.

### **How to Clean Fabric**

Fine outdoor fabrics are designed to endure years of sun, soil and moisture. Wash outdoor cushions with a solution of mild detergent and water and thoroughly rinse with clear water. Stand cushions on end and

allow to air dry completely. Light stains can be removed as above. Mildew and heavy stains can be removed with a quality commercial outdoor furniture cleaner and protectant. Note: Do not dry clean or use a washing machine or dryer. Do not steam or use water at temperatures above 100° F when washing. Note: Be careful to keep the outdoor furniture cleaner from contact with the cushions of your outdoor furniture, as it will cause discoloration. Do not use bleach on printed acrylic fabrics. Do not use solvent-type materials on woven vinyl, woven blend or ultra woven blend fabrics as they will damage the yarns. Do not use chlorine based cleaners.

### **How to Clean Mesh**

Remove light stains with a solution of mild detergent and water, then rinse with clear water and dry thoroughly. Mildew and heavy stains can be removed with a quality commercial outdoor furniture cleaner and protectant.

### **How to Clean Strap**

For general or light cleaning, begin by brushing dirt off the strap. Apply a solution of mild detergent and warm water and allow it to soak into the strap. Gently clean with a sponge or soft bristle brush, then rinse thoroughly with clear water and allow the strap to air dry.

### **How to Clean Vinyl Strap**

Apply a quality vinyl protectant to guard against the effects of air pollution, salt air build-up, and mildew. To remove difficult stains use rubbing alcohol applied with a soft cloth.

### **How to Clean & Care for Stone and Marble Tops**

Tabletops are designed for normal outdoor use in residential settings. To maintain the natural beauty we recommend applying a stone-enhancing sealer every six months to protect and restore the top. This step can be repeated each year and before the winter season. If tabletop is stained with products such as wine, soda, coffee, or other colorants of organic origin, clean these spills immediately with a mild detergent then rinse with water. In extreme cold climates, it is recommended that tabletops be stored in a dry indoor area or be covered with suitable outdoor furniture cover. Be sure to allow space between the tabletop and the cover so that moisture does not collect on the table; this will promote airflow and allow moisture to escape.

### **Winter Storage**

During winter, all furniture should be stored indoors in an upright position to allow for proper water drainage. Storing furniture upside down may cause water to accumulate and freeze inside the frame, causing serious structural damage that is not covered by this warranty.