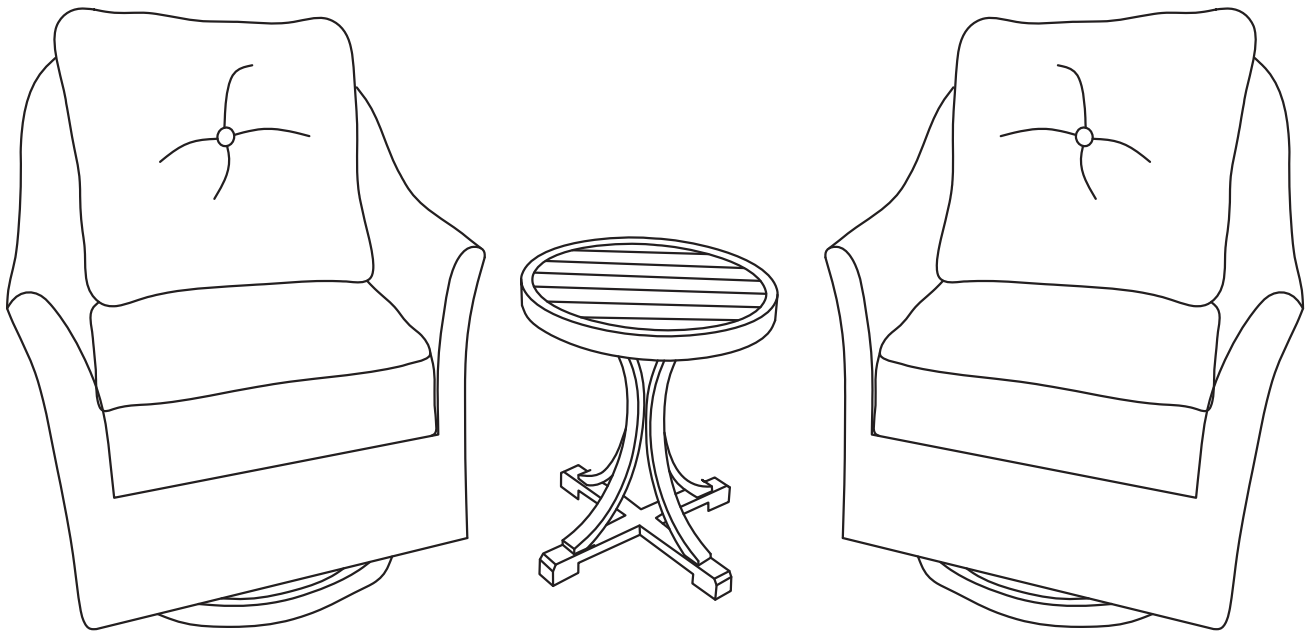




**Member's Mark™**

## **Assembly Manual**

*Townsend 3pc Bistro Set*  
*Model Number: GC-41007-3PC*



***THIS ASSEMBLY MANUAL CONTAINS IMPORTANT SAFETY INFORMATION.  
PLEASE READ AND KEEP FOR FUTURE REFERENCE.***

---

---

## Questions or Comments?

We would love to hear about your Member's Mark experience! Visit us at:  
**[samsclub.com/membersmarkhelp](https://samsclub.com/membersmarkhelp)**

---

### Important Safety Information

- *Please read all instructions carefully before assembling this furniture.*
  - *For your safety, assembly by two or more adults is strongly recommended.*
  - *Use only vendor-supplied hardware to assemble this item. Using unauthorized hardware could jeopardize the structural integrity of the item.*
  - *Hardware may loosen overtime. Periodically check that all connections are tight.*
- 

### Before Assembly

- *Remove all parts and hardware from the box. Place all items on a carpeted or scratch-free work surface, as this will avoid damaging parts during assembly.*
  - *The shipping box provides an ideal work surface.*
  - *To avoid accidentally discarding small parts or hardware, do not dispose of any packaging or contents of the shipping carton until assembly is complete.*
  - *Use the parts and hardware lists below to identify and separate each of the pieces included.*
  - *The use of power tools for assembly is not recommended. Power tools can damage the hardware.*
  - **Note:** *Do not fully tighten all bolts until all parts are in place. Failure to follow these instructions may cause the bolts to misalign during assembly.*
- 

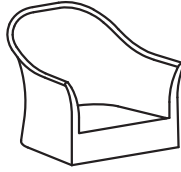
### Care and Cleaning

- *Dust often and use a vacuum cleaner crevice tool to clean seams. To maintain the woven appearance, gently clean soiled areas with a soft cloth dampened with a mild, water based detergent. Remove all lather and wipe with a clean damp cloth. Dry with another soft cloth by blotting the damp surface (do not rub).*
-

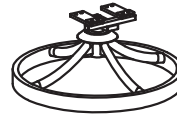
# Swivel Chair

## Components

- A.....Chair frame.....1
- B.....Base.....1
- C.....Seat cushion....1
- D.....Back cushion...1



(A)



(B)


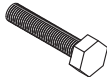






(C)


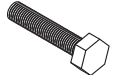






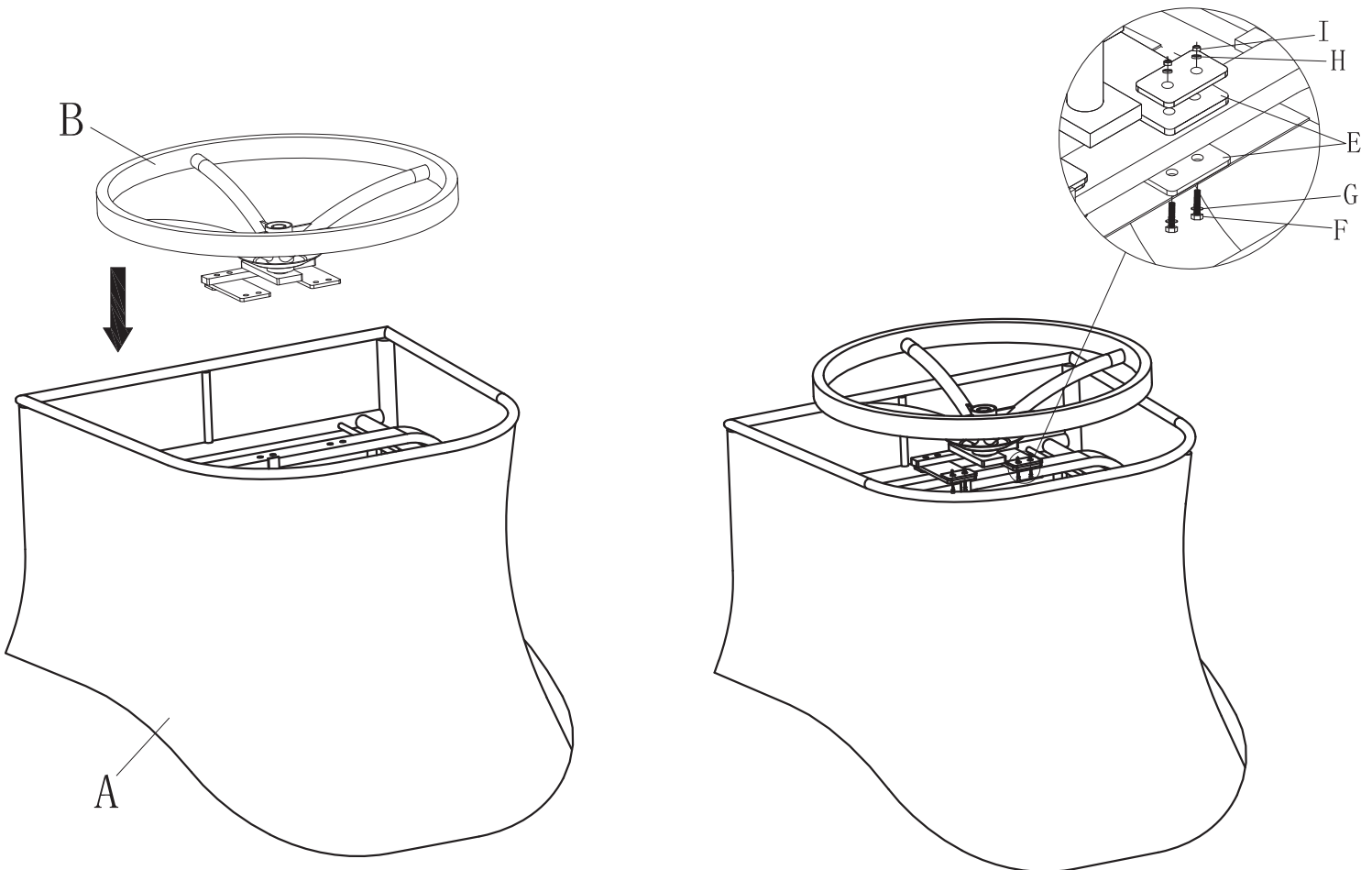
(D)

## Hardware

<p>(E) Metal plate Qty: 4</p> 	<p>(F) Allen/Hex Head Bolt M8x50mm Qty: 4</p> 	<p>(G) M8 Washer Qty: 4</p> 
<p>(H) M8 Spring Washer Qty: 4</p> 	<p>(I) M8 Damping Nut Qty: 4</p> 	<p>(J) M6-M8 Hex Wrench Qty: 2</p> 

## Step 1

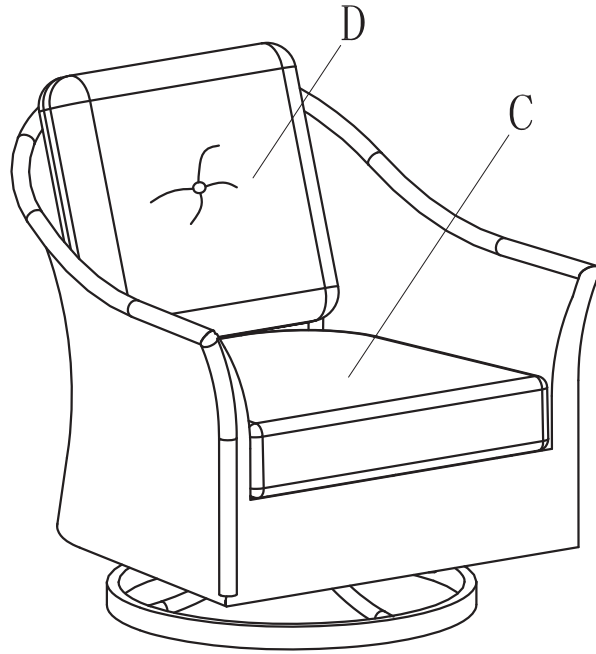
<b>(E)</b> Metal plate Qty: 4 	<b>(F)</b> Allen/Hex Head Bolt M8x50mm Qty: 4 	<b>(G)</b> M8 Washer Qty: 4 
<b>(H)</b> M8 Spring Washer Qty: 4 	<b>(I)</b> M8 Damping Nut Qty: 4 	<b>(J)</b> M6-M8 Hex Wrench Qty: 2 



Carefully place chair frame(A) upside down a soft, flat and non-abrasive surface. Attach the base (B) to chair frame (A) using M8 bolts(F), Washer(G), Spring washer (H) and M8 Damping nuts (I) . Tighten all the M8 bolts (F) and M8 damping nuts (I) with the hex wrench(J).

---

## Step 2



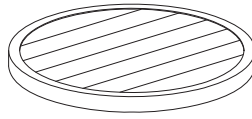
Carefully turn the chair over.  
Place the seat cushions (C) and back cushion (D) on the swivel chair.  
The chair is ready for your enjoyment.

---

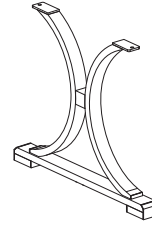
# Side table

## Components

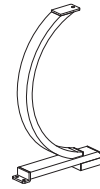
- A.....Table top.....1**
- B.....Table leg 1.....1**
- C.....Table leg 2.....2**



**(A)**



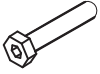


**(B)**



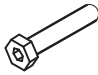


**(C)**

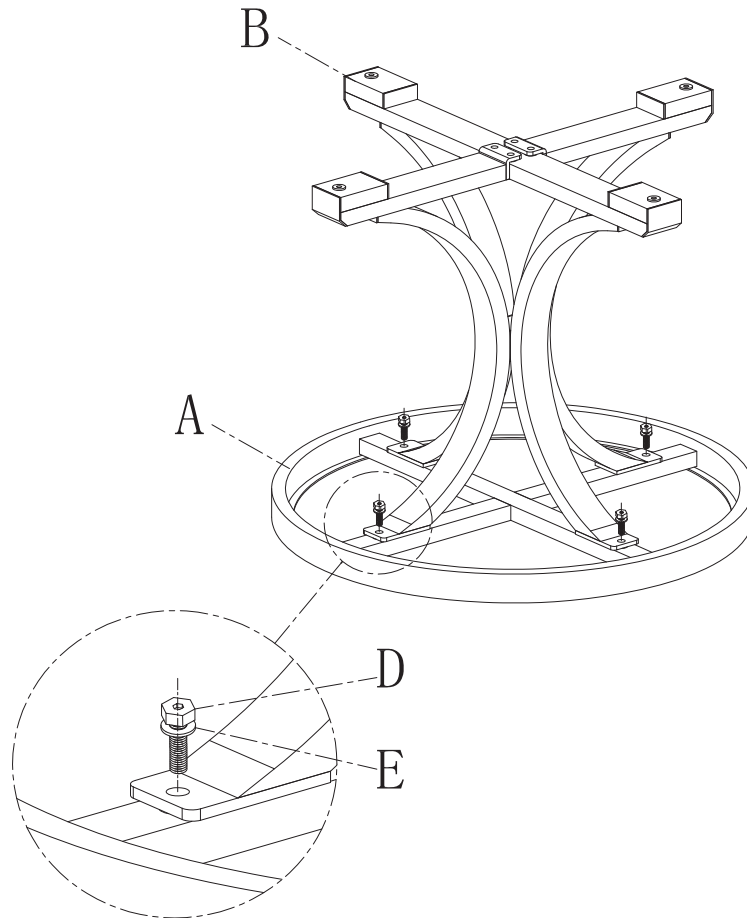
---

## Hardware

<p><b>(D)</b> Allen/Hex Head Bolt M6x20mm Qty: 8</p> 	<p><b>(E)</b> M6 Washer Qty: 8</p> 	<p><b>(F)</b> Allen Wrench Qty: 1</p> 
--	--	---

## Step 1

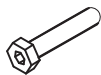
<b>(D)</b> Allen/Hex Head Bolt M6x20mm Qty: 4 	<b>(E)</b> M6 Washer Qty: 4 	<b>(F)</b> Allen Wrench Qty: 1 
---	--	---



Carefully place the table top (A) upside down on a non-abrasive surface.  
Assemble the table legs 1 (B) and legs 2 (C) to the table top (A) with bolts (D) and washer (E) by using Allen wrench (F).  
Do not tighten the bolts until assembling is completed.

## Step 2

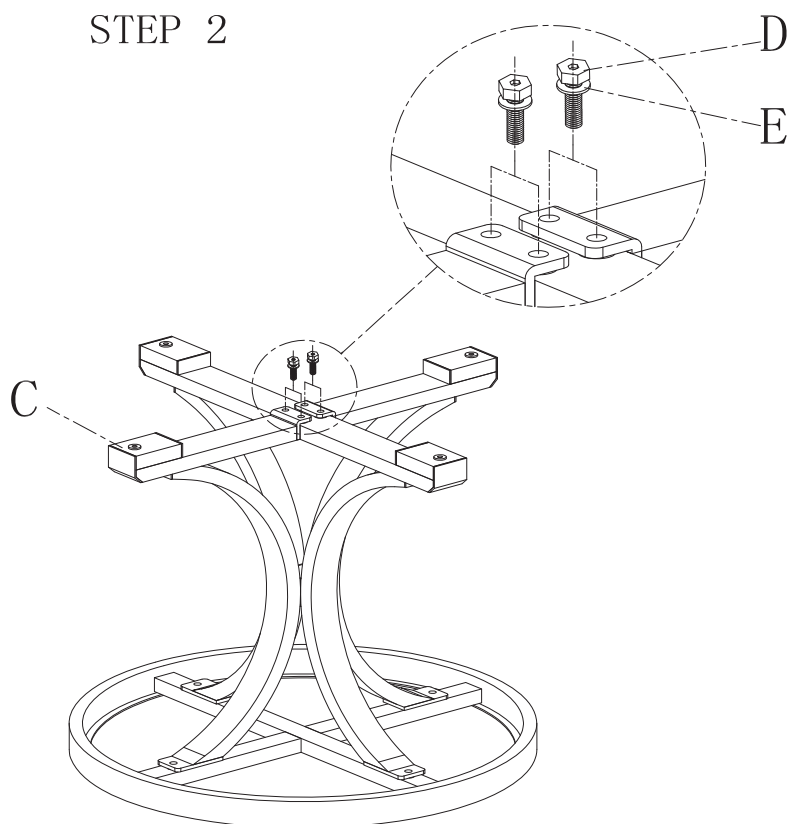
**(D)**  
Allen/Hex Head Bolt  
M6x20mm  
Qty: 4



**(E)**  
M6 Washer  
Qty: 4



**(F)**  
Allen Wrench  
Qty: 1

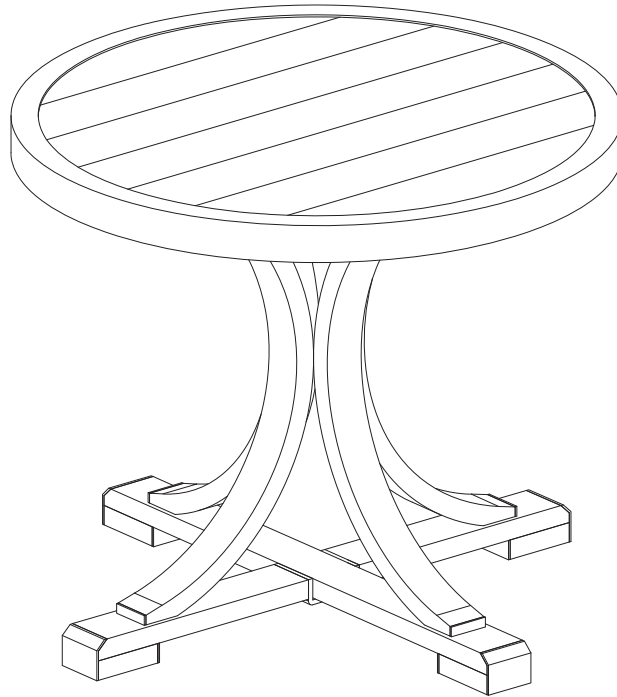


Assemble the table legs 1 (B) and legs 2 (C) with bolts (D) and washer (E) by using Allen wrench (F).  
Tighten all bolts with Allen wrench.



---

## Step 3



Crefully turn the table over.  
The side table is ready for your enjoyment.