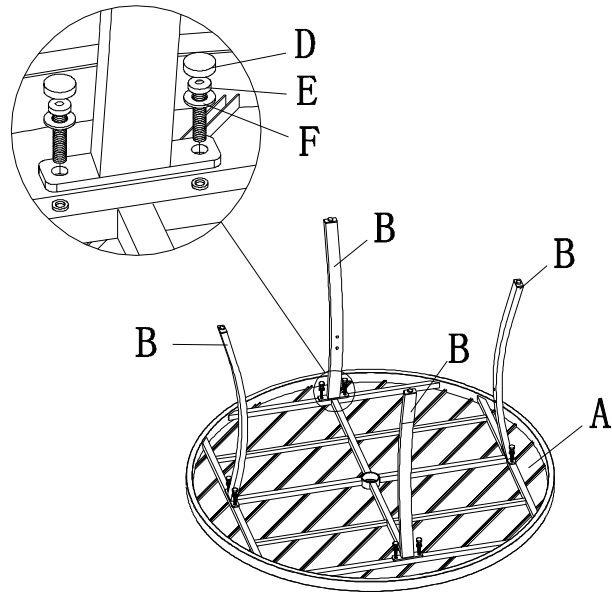


ASSEMBLY INSTRUCTION

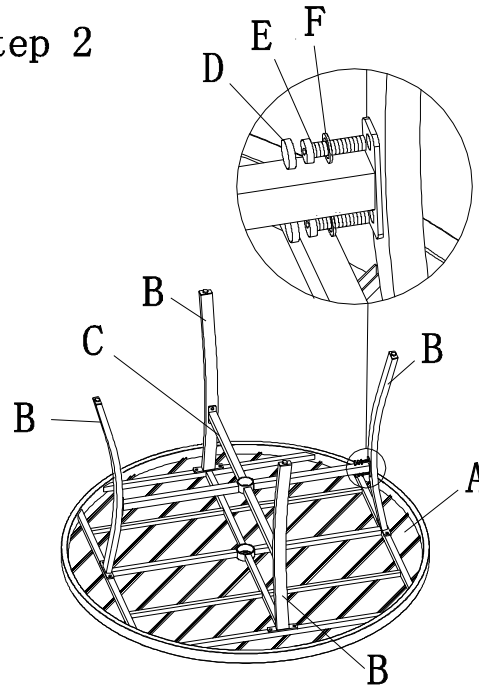
CAUTION

- A. Check the package has all items shown in the parts list
- B. Read the instructions before assembling

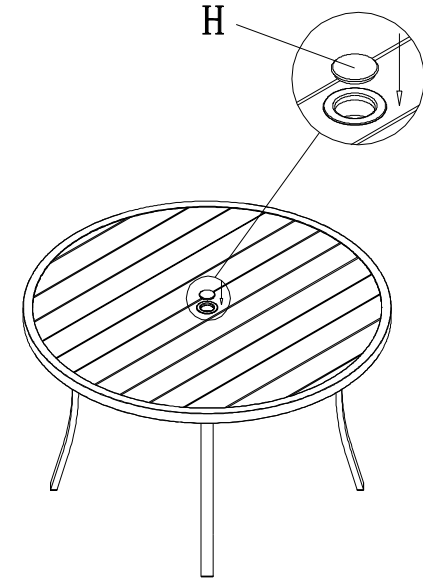
Step 1

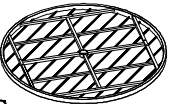

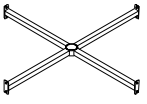
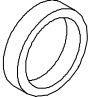
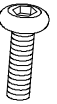





Step 2



Step 3



<p>A</p>  <p>1PC</p>	<p>B</p>  <p>4PCS</p>	<p>C</p>  <p>1PC</p>	<p>D</p>  <p>16PCS</p>
<p>E</p>  <p>16PCS</p>	<p>F</p>  <p>16PCS</p>	<p>G</p>  <p>1PC</p>	<p>H</p>  <p>1PC</p>

NOTE:

DO not tighten screws completely until assembly is completed