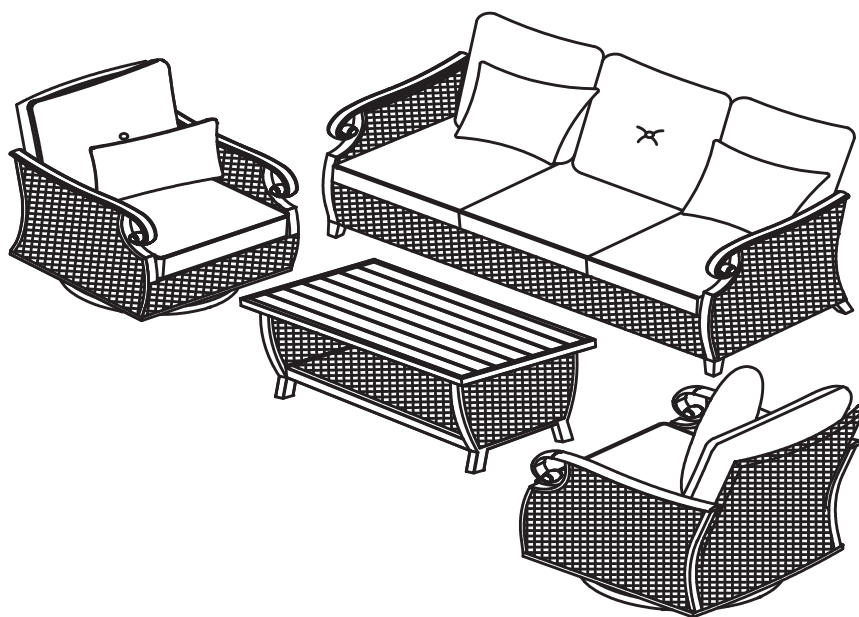




Member's Mark™

Assembly Manual

Ridgethorne 4pc Deep Seating set
Model Number: GC-41008-4PC



**THIS ASSEMBLY MANUAL CONTAINS IMPORTANT SAFETY INFORMATION.
PLEASE READ AND KEEP FOR FUTURE REFERENCE.**

Questions or Comments?

We would love to hear about your Member's Mark experience! Visit us at:
samsclub.com/membersmarkhelp

Important Safety Information

- *Please read all instructions carefully before assembling this furniture.*
 - *For your safety, assembly by two or more adults is strongly recommended.*
 - *Use only vendor-supplied hardware to assemble this item. Using unauthorized hardware could jeopardize the structural integrity of the item.*
 - *Hardware may loosen overtime. Periodically check that all connections are tight.*
-

Before Assembly

- *Remove all parts and hardware from the box. Place all items on a carpeted or scratch-free work surface, as this will avoid damaging parts during assembly.*
 - *The shipping box provides an ideal work surface.*
 - *To avoid accidentally discarding small parts or hardware, do not dispose of any packaging or contents of the shipping carton until assembly is complete.*
 - *Use the parts and hardware lists below to identify and separate each of the pieces included.*
 - *The use of power tools for assembly is not recommended. Power tools can damage the hardware.*
 - **Note:** *Do not fully tighten all bolts until all parts are in place. Failure to follow these instructions may cause the bolts to misalign during assembly.*
-

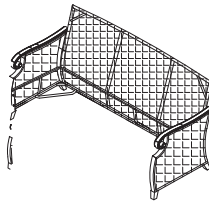
Care and Cleaning

- *Dust often and use a vacuum cleaner crevice tool to clean seams. To maintain the woven appearance, gently clean soiled areas with a soft cloth dampened with a mild, water based detergent. Remove all lather and wipe with a clean damp cloth. Dry with another soft cloth by blotting the damp surface (do not rub).*
-

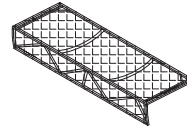
Sofa

Components

- A.....Sofa frame.....1
- B.....Seat part.....1
- C.....Middle leg.....1
- D.....Seat cushion....3
- E.....Back cushion...3
- F.....Toss pillow.....2



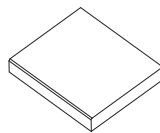
A



B



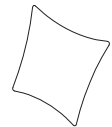
C



D

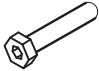





E

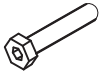
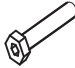




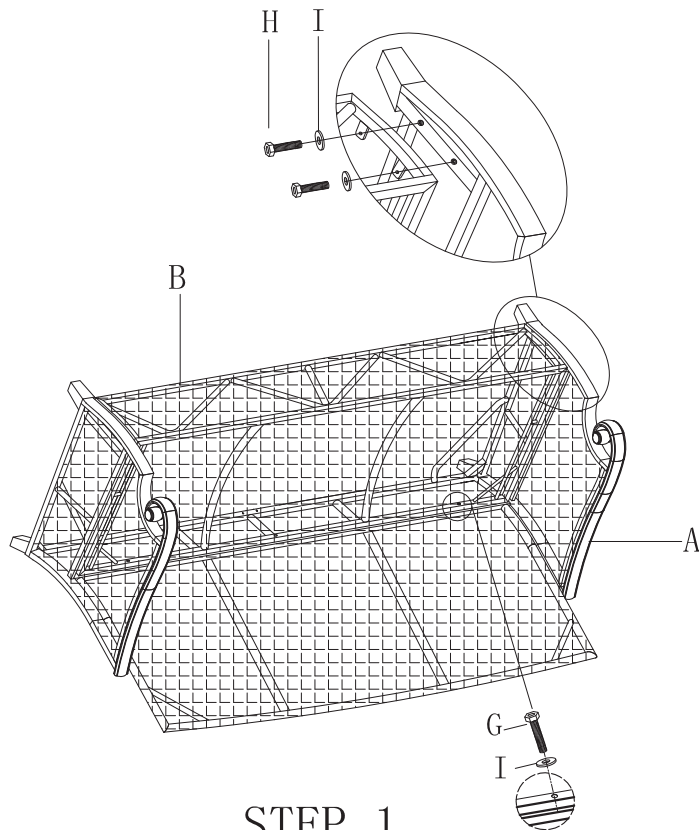
F

Hardware

<p>(G) Allen/Hex Head Bolt M6x45mm Qty: 3</p> 	<p>(H) Allen/Hex Head Bolt M6x25mm Qty: 8</p> 	<p>(I) M6 Washer Qty: 11</p> 
<p>(J) Allen Wrench Qty: 1</p> 		

Step 1

(G) Allen/Hex Head Bolt M6x45mm Qty: 3 	(H) Allen/Hex Head Bolt M6x25mm Qty: 6 	(I) M6 Washer Qty: 9 
(J) Allen Wrench Qty: 1 		

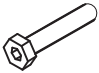



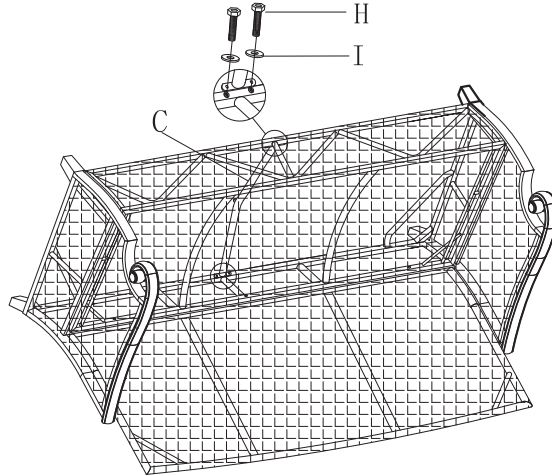
STEP 1

Carefully place sofa frame(A) upside down a soft, flat and non-abrasive surface. Attach the seat part (B) to sofa frame (A) with bolts(G &H) and Washer(I) by using Allen Wrench(J).

Tighten all the bolts with Allen Wrench(J).

Step 2

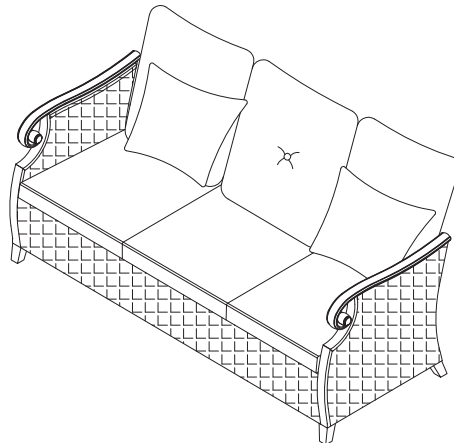
(H) Allen/Hex Head Bolt M6x25mm Qty: 2 	(I) M6 Washer Qty: 2 	(J) Allen Wrench Qty: 1 
---	--	---



Attach the middle leg (C) to under of seat part (B) with bolts(H) and Washer(H) by using Allen Wrench(J).

Tighten all the bolts with Allen Wrench(J).

Step 3



Carefully turn the sofa over.

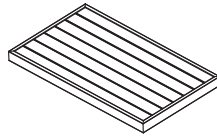
Place the seat cushions (D), back cushion (E) and toss pillow (F) on the swivel chair.

The chair is ready for your enjoyment.

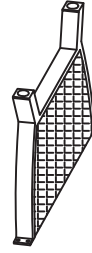
Coffee Table

Components

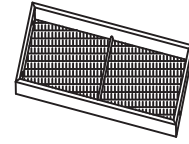
- A.....Table top.....1
- B.....Table leg.....2
- C.....Shelf.....1



A

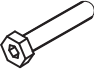





B



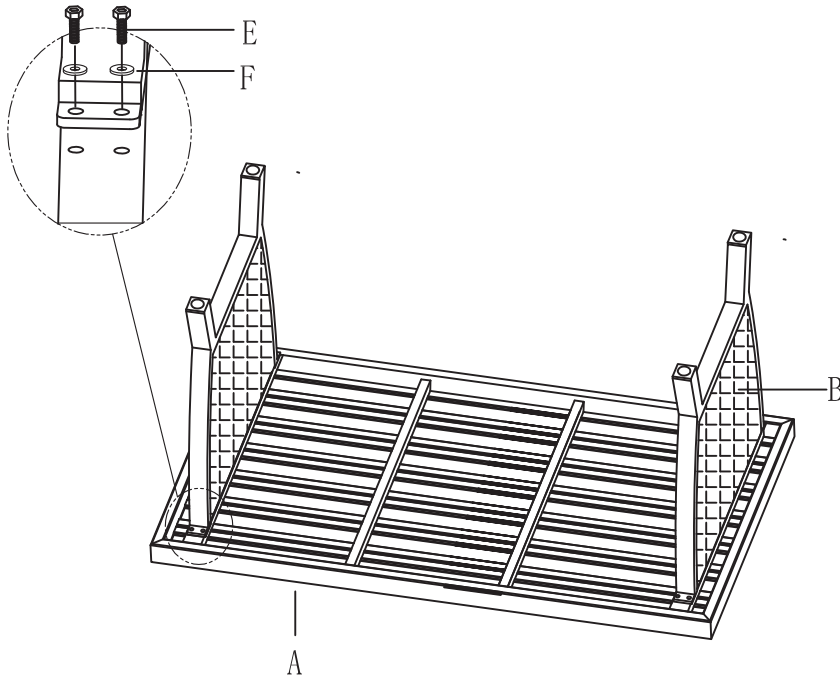
C

Hardware

<p>(D) Allen/Hex Head Bolt M6x45mm Qty: 4</p> 	<p>(E) Allen/Hex Head Bolt M6x20mm Qty: 8</p> 	<p>(F) M6 Washer Qty: 12</p> 
<p>(G) Allen Wrench Qty: 1</p> 		

Step 1

(E) Allen/Hex Head Bolt M6x20mm Qty: 8	(F) M6 Washer Qty: 8	(G) Allen Wrench Qty: 1
--	-----------------------------------	--------------------------------------



Carefully place the table top (A) upside down on a non-abrasive surface. Assemble the table legs (B) to the table top (A) with bolts (E) and washer (F) by using Allen wrench (G). Do not tighten the bolts until assembling is completed.

Step 2

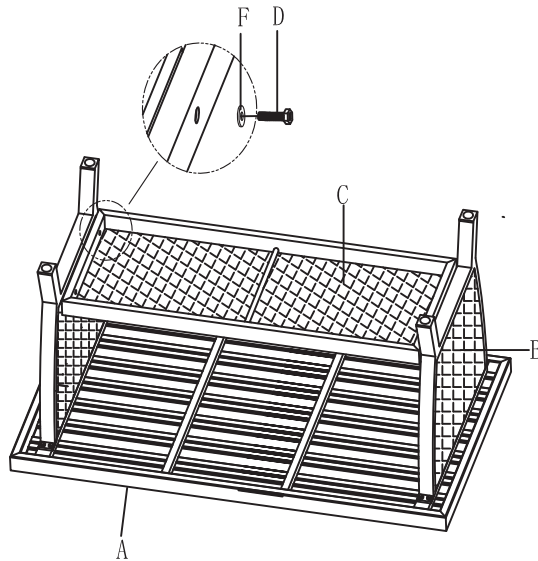
(D)
Allen/Hex Head Bolt
M6x45mm
Qty: 4



(E)
M6 Washer
Qty: 4

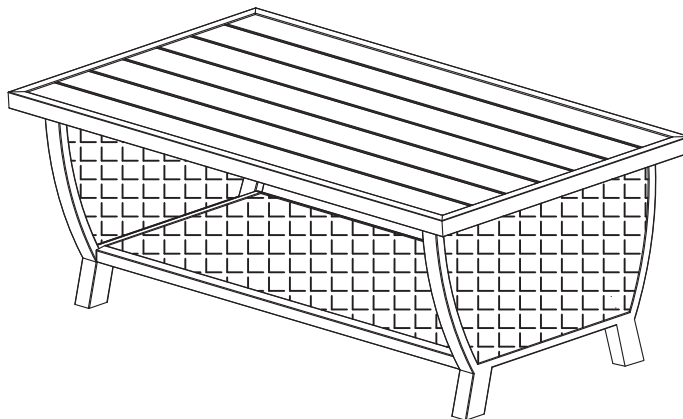


(G)
Allen Wrench
Qty: 1



Assemble the shelf (C) to table legs (B) with bolts (D) and washer (F) by using Allen wrench (F). Tighten all bolts with Allen wrench.

Step 3



Carefully turn the table over.
The coffee table is ready for your enjoyment.