

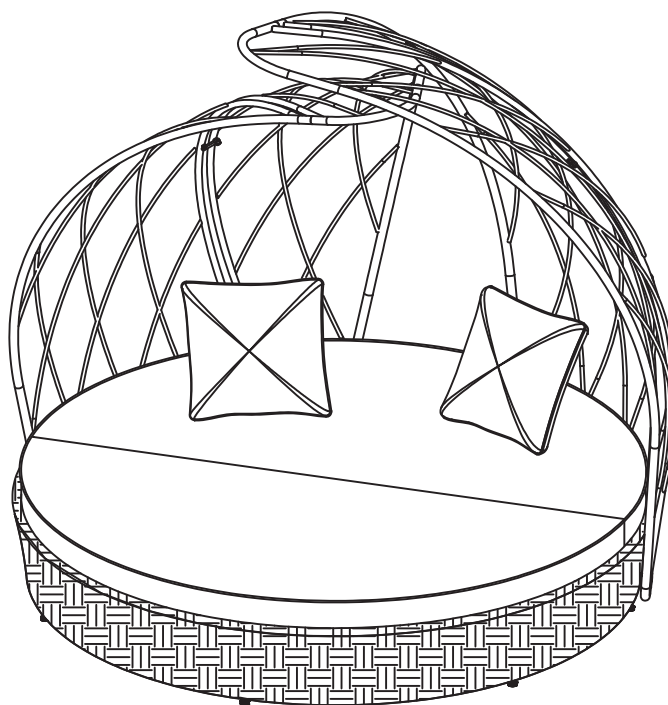


Member's Mark™

Assembly Manual

Cabana day lounger with adjustable back

Model Number: GL-11004-ARP



***THIS ASSEMBLY MANUAL CONTAINS IMPORTANT SAFETY INFORMATION.
PLEASE READ AND KEEP FOR FUTURE REFERENCE.***

Questions or Comments?

We would love to hear about your Member's Mark experience! Visit us at:
samsclub.com/membersmarkhelp

Important Safety Information

- *Please read all instructions carefully before assembling this furniture.*
 - *For your safety, assembly by two or more adults is strongly recommended.*
 - *Use only vendor-supplied hardware to assemble this item. Using unauthorized hardware could jeopardize the structural integrity of the item.*
 - *Hardware may loosen overtime. Periodically check that all connections are tight.*
-

Before Assembly

- *Remove all parts and hardware from the box. Place all items on a carpeted or scratch-free work surface, as this will avoid damaging parts during assembly.*
 - *The shipping box provides an ideal work surface.*
 - *To avoid accidentally discarding small parts or hardware, do not dispose of any packaging or contents of the shipping carton until assembly is complete.*
 - *Use the parts and hardware lists below to identify and separate each of the pieces included.*
 - *The use of power tools for assembly is not recommended. Power tools can damage the hardware.*
 - **Note:** *Do not fully tighten all bolts until all parts are in place. Failure to follow these instructions may cause the bolts to misalign during assembly.*
-

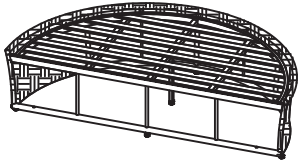
Care and Cleaning

- *Dust often and use a vacuum cleaner crevice tool to clean seams. To maintain the woven appearance, gently clean soiled areas with a soft cloth dampened with a mild, water based detergent. Remove all lather and wipe with a clean damp cloth. Dry with another soft cloth by blotting the damp surface (do not rub).*
-

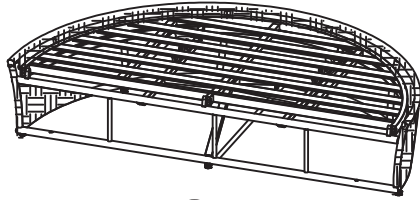
Components

- A...Front seat panel...1
- B...Back seat panel...1
- C...Back panel 1...1
- D...Back panel 2...1
- E...Back panel 3...1

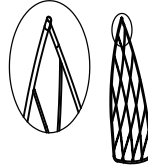
- F...Back panel 4...1
- G...Seat cushion...1
- H...Back connector panel...2
- I...Seat connector part...2
- J...Toss pillow...2



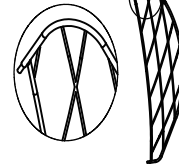
A



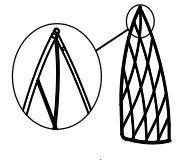
B



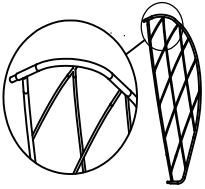
C



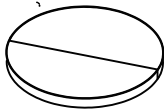
D



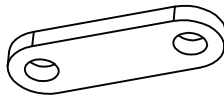
E



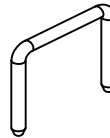
F



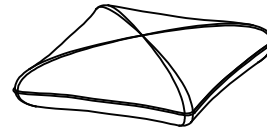
G



H



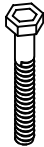
I



J

Hardware

(K)
Allen/Hex Head Bolt
M6x60mm
Qty: 8



(L)
Allen/Hex Head Bolt
M6x20mm
Qty: 4



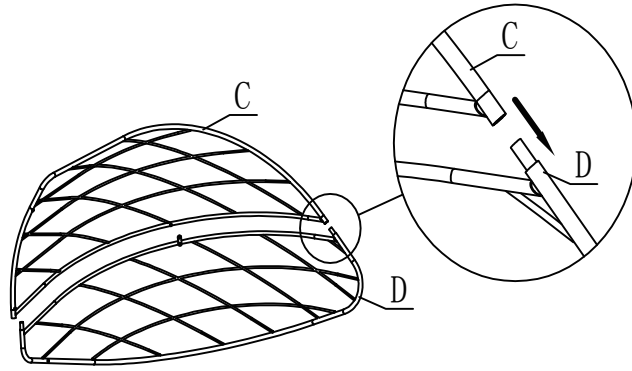
(M)
M6 Washer
Qty: 12



(N)
Allen Wrench
Qty:

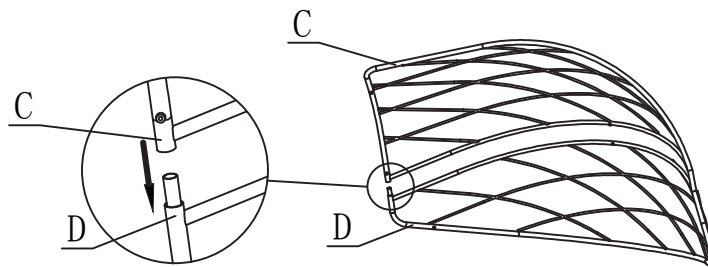


Step 1



Carefully place the Back panel 1(C) and Back panel 2(D) on a non-abrasive surface. Attached the top of Back panel 1(C) to top of Back panel 2(D).

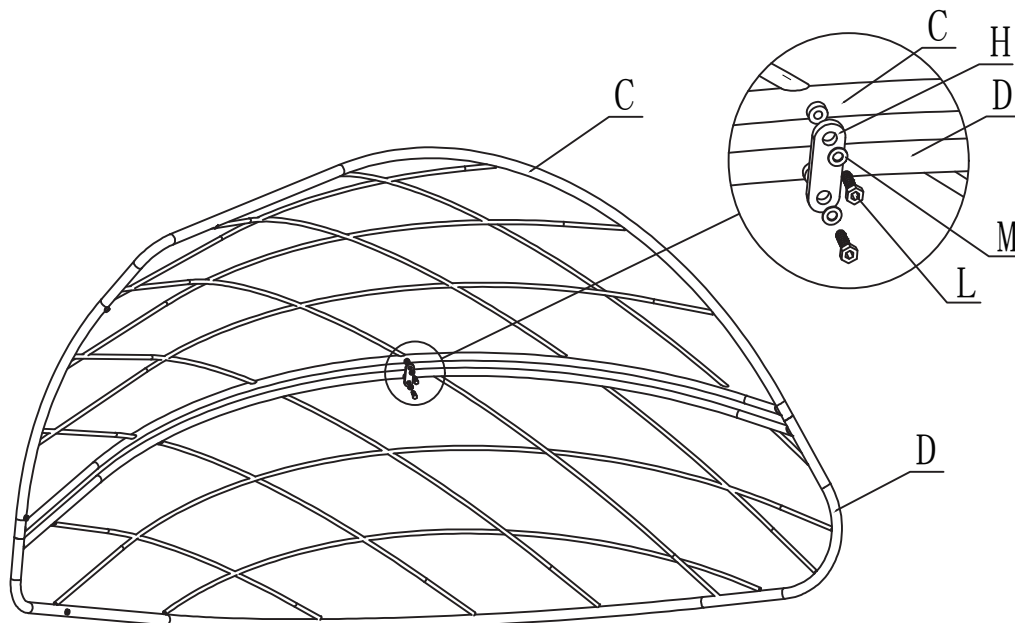
Step 2



Attached the bottom of Back panel 1(C) to bottom of Back panel 2(D).

Step 3

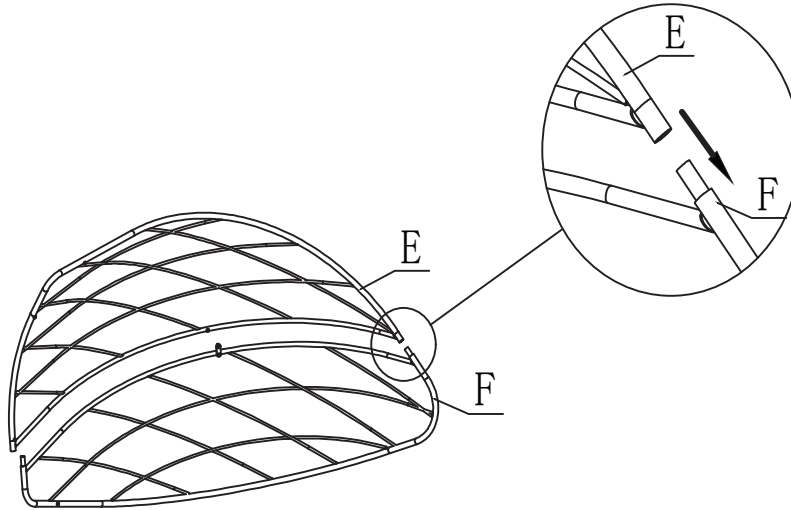
(L) Allen/Hex Head Bolt M6x20mm Qty: 2	(M) M6 Washer Qty: 2	(N) Allen Wrench Qty: 1
--	-----------------------------------	--------------------------------------



Attached the Back panel 1(C) to Back panel 2(D) using bolts (L) and washers (M) with Allen Wrench (N).

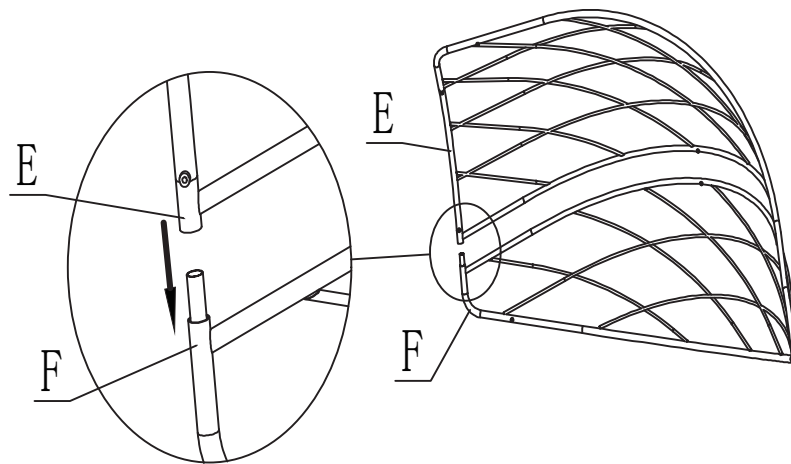
Do not tighten the bolts until assembling is completed.

Step 4



Carefully place the Back panel 3 (E) and Back panel 4(F) on a non-abrasive surface. Attached the top of Back panel 3(E) to top of Back panel 4(F).

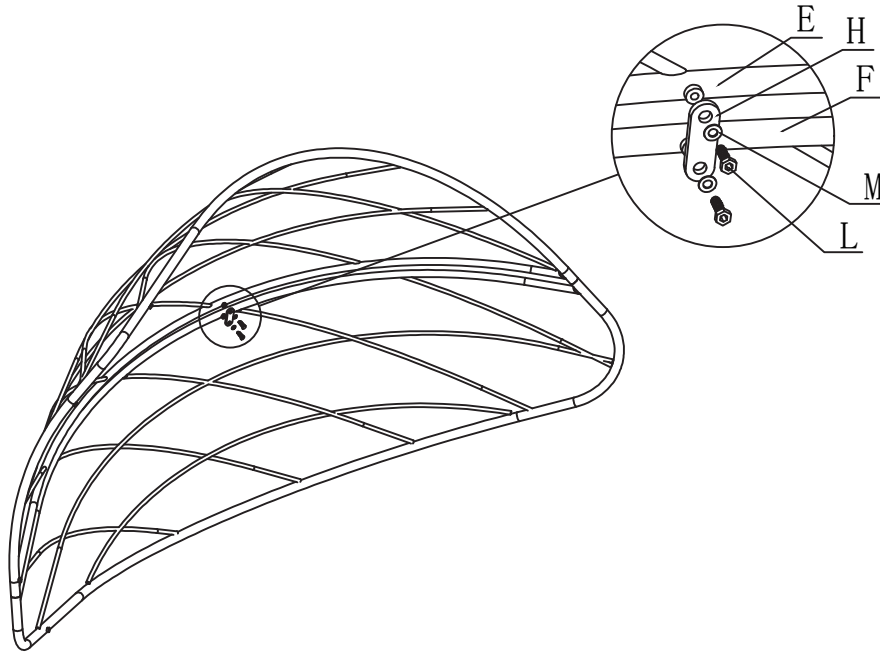
Step 5



Attached the bottom of Back panel 3(E) to bottom of Back panel 4(F).

Step 6


(L) Allen/Hex Head Bolt M6x20mm Qty: 2	(M) M6 Washer Qty: 2	(N) Allen Wrench Qty:
--	-----------------------------------	------------------------------------

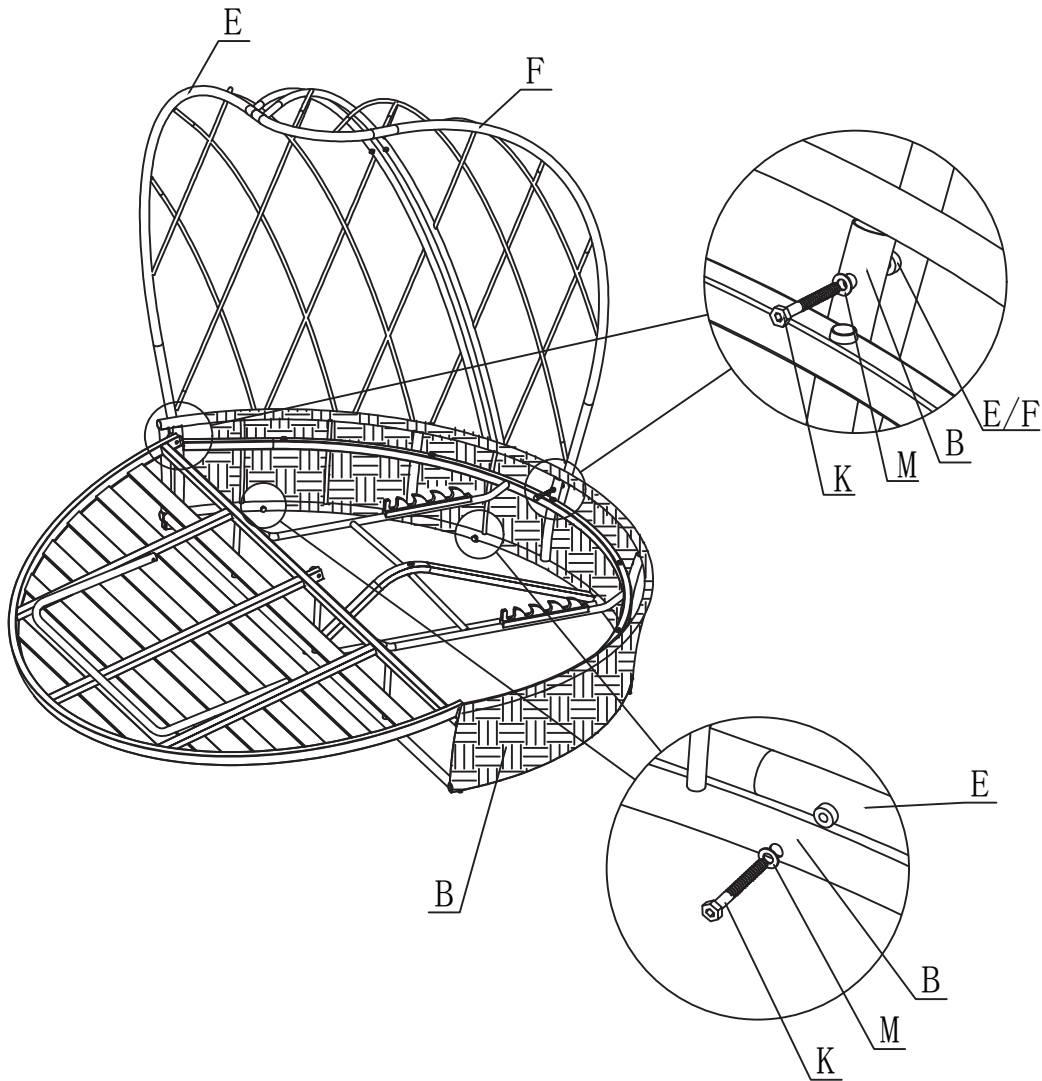


Attached the Back panel 3(E) to Back panel 4(F) using bolts (L) and washers (M) with Allen Wrench (N).

Do not tighten the bolts until assembling is completed.

Step 7

(K) Allen/Hex Head Bolt M6x60mm Qty: 4		(M) M6 Washer Qty: 4	(N) Allen Wrench Qty: 1
--	---	-----------------------------------	--------------------------------------

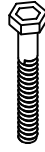


Attached the Back panel 3 (E) and Back panel 4 (F) to Back seat panel (B) using bolts (K) and washers (M) with Allen Wrench (N).

Do not tighten the bolts until assembling is completed.

Step 8

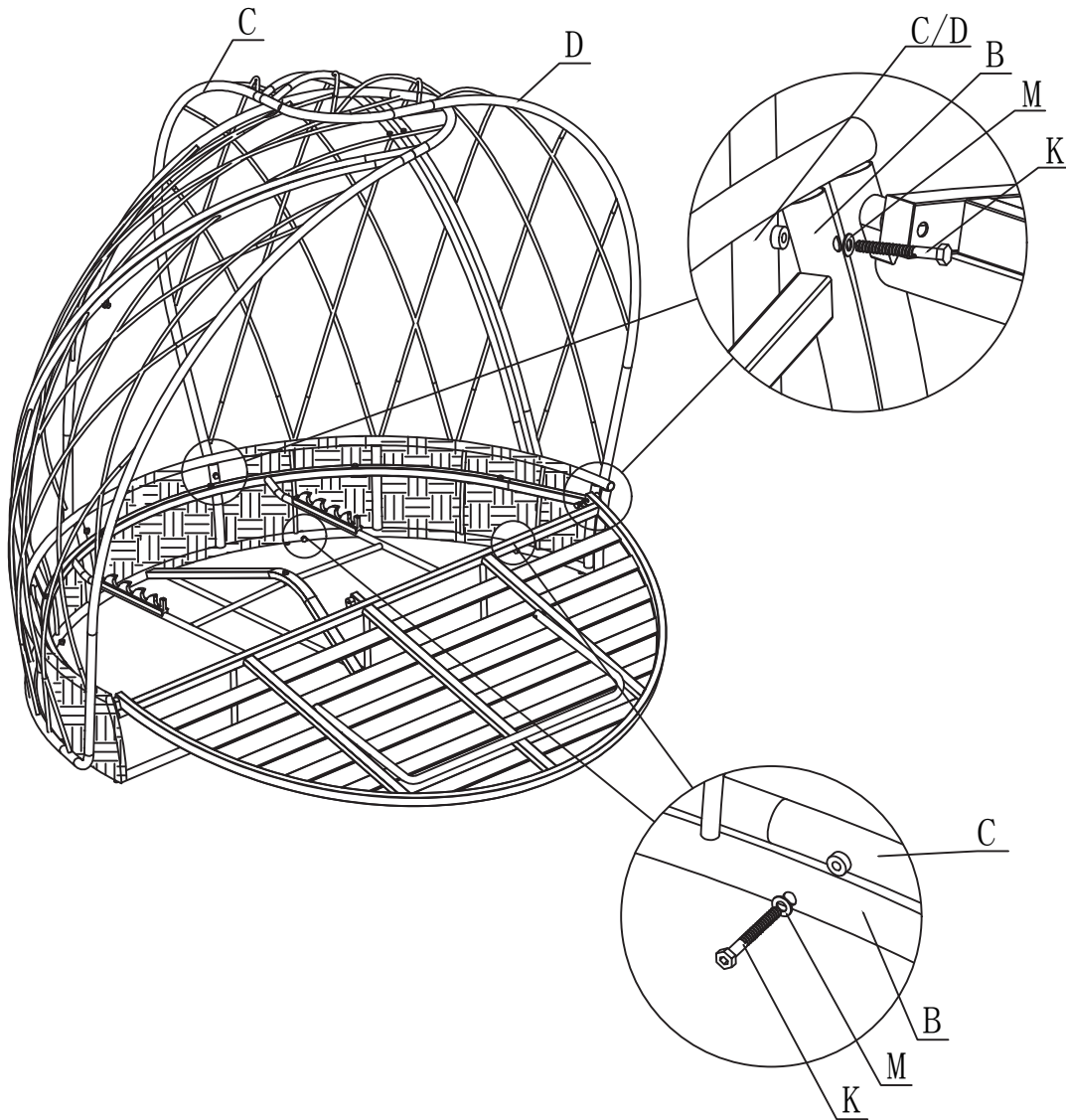
(K)
Allen/Hex Head Bolt
M6x60mm
Qty: 4



(M)
M6 Washer
Qty: 4

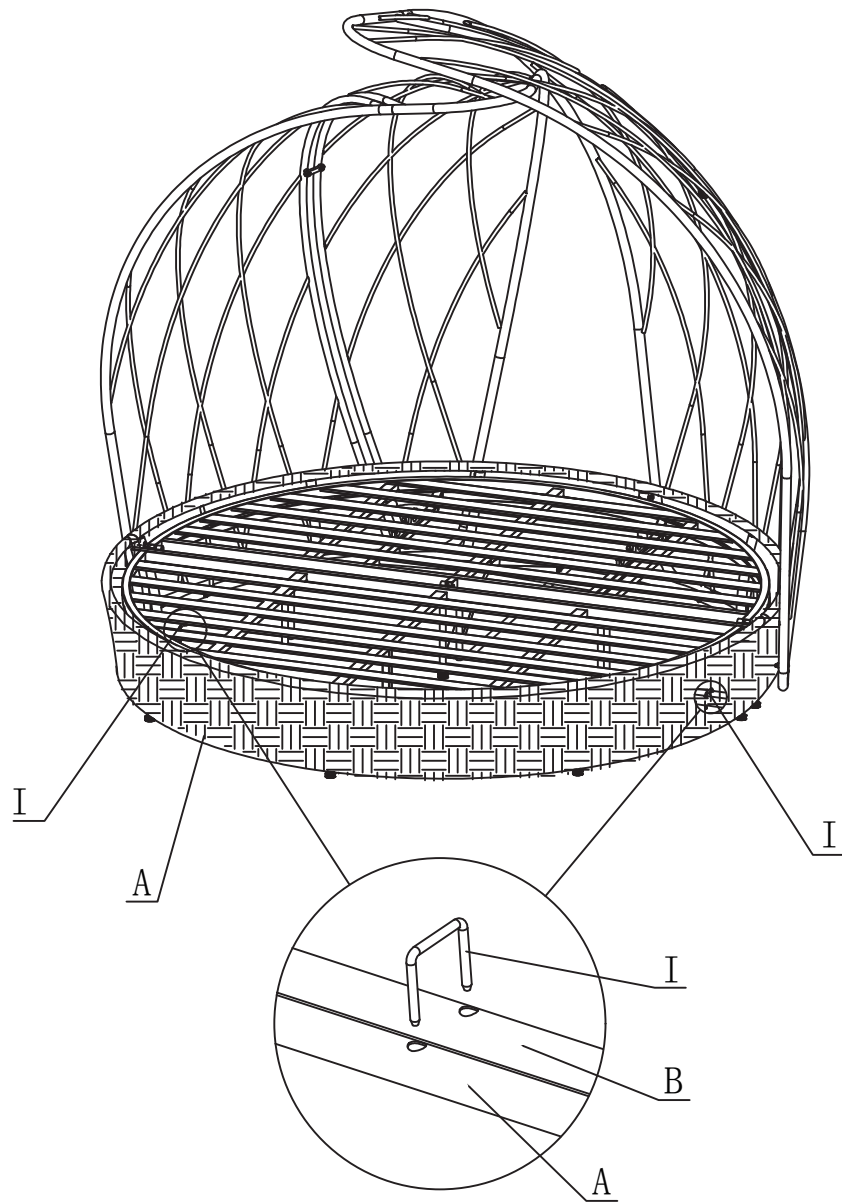


(N)
Allen Wrench
Qty:



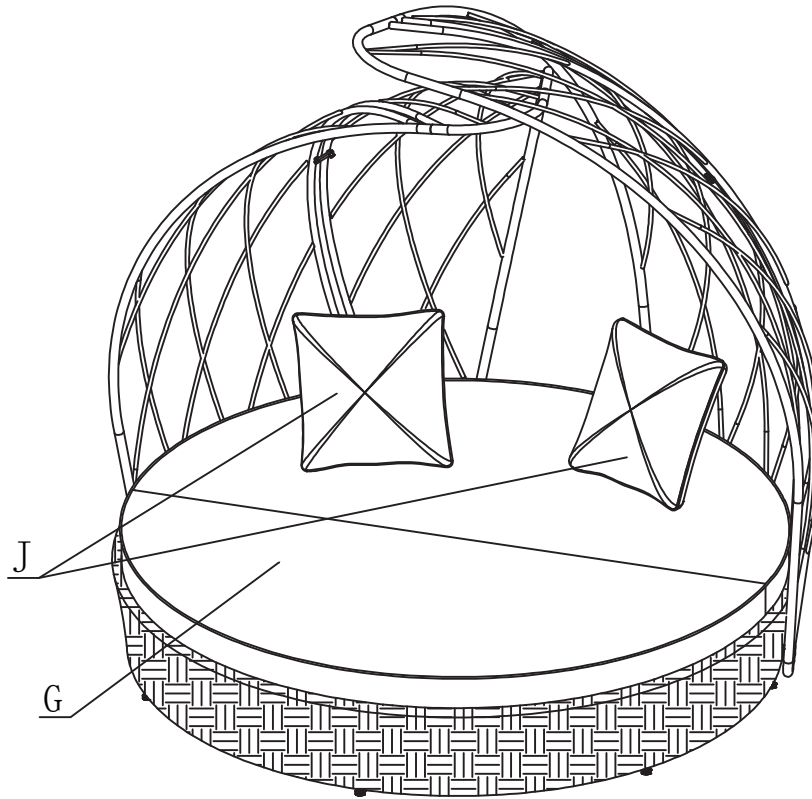
Attached the Back panel 1 (C) and Back panel 2 (D) to Back seat panel (B) using bolts (K) and washers (M) with Allen Wrench (N).
Tighten all bolts (K and L) with Allen wrench (N).

Step 9



Attached the Front seat panel (C) to Back seat panel (D) using Seat connector part (I).

Step 10



Place the seat cushions (G) and toss pillow (J) on the day lounger.
The day lounger is ready for your enjoyment.