

Item# 1004 307 690

Model# S9K-0002A

HAMPTON BAY[®]

USE AND CARE GUIDE

RIVERBROOK 3 PERSON PADDED SLING SWING



Questions, problems, missing parts? Before returning to the store,
call Hampton Bay Customer Service
8 a.m. - 7 p.m., EST, Monday – Friday, 9 a.m. – 6 p.m., EST, Saturday

1-855-HD-HAMPTON

HAMPTONBAY.COM

THANK YOU

We appreciate the trust and confidence you have placed in Hampton Bay through the purchase of this swing . We strive to continually create quality products designed to enhance your home. Visit us online to see our full line of products available for your home improvement needs. Thank you for choosing Hampton Bay!

Table of Contents

Table of Contents	2	Pre-Assembly	3
Important Safety Instructions	2	Planning Assembly	3
Warranty	2	Hardware Included	3
What is covered	2	Package Contents	3
What is not covered	2	Assembly	4
		Care and Cleaning	5

Important Safety Instructions

SAVE THESE INSTRUCTIONS

READ ALL INSTRUCTIONS BEFORE USE

To reduce the risk of injury to persons:

1. Close supervision is necessary when this furnishing is used by or near children, or disabled persons, if applicable.
2. Use this furnishing only for its intended use as described in these instructions. Do not use attachments not recommended by the manufacturer.

Warranty

THIS IS A RESIDENTIAL WARRANTY ONLY AND THIS WARRANTY DOES NOT APPLY TO COMMERCIAL USE

3 YEAR FRAME AND 2 YEAR FABRIC LIMITED WARRANTY

WHAT IS COVERED

We warrant the frame to be free of manufacturing defects to the original purchaser for three years.

WHAT IS NOT COVERED

It remains the customer's responsibility for freight and packaging charges to and from our service center. This warranty does not cover commercial use, hardware, acts of nature, fire, freezing, and abusive use. In addition, purchased parts are not covered under this warranty. We reserve the right to make substitutions with similar merchandise, if the model in question is no longer in production.

For a copy of our full limited warranty, please contact our customer service team below.

Contact the Customer Service Team at 1-855-HD-HAMPTON or visit www.hamptonbay.com.

Pre-Assembly

PLANNING ASSEMBLY

Please read this entire instruction manual prior to assembly.

Identify all parts packed in the carton against the parts list. Remove all protective materials and place the parts on a non-abrasive surface to avoid scratching.

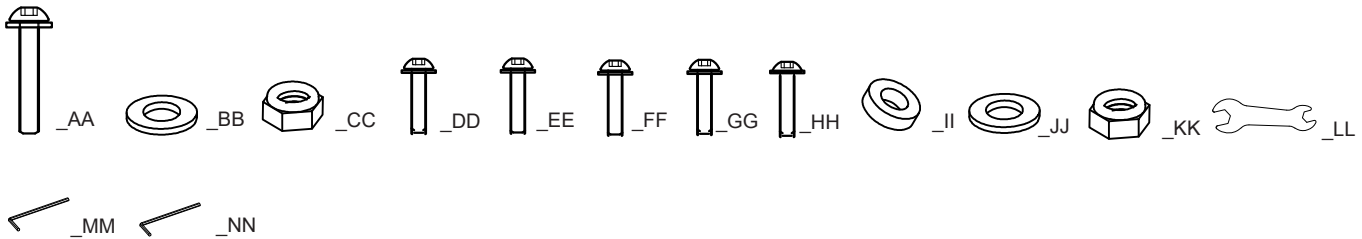


NOTE: More than one person may be required to complete the assembly of this product.

HARDWARE INCLUDED



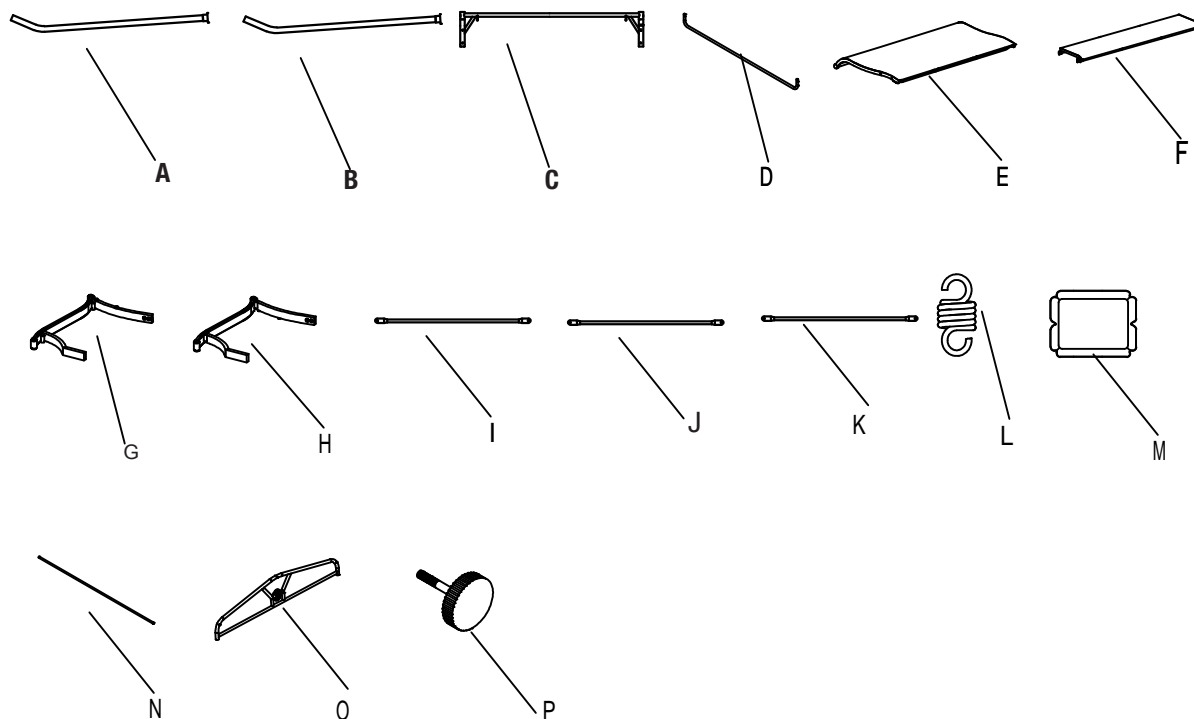
NOTE: Hardware not shown to actual size.



Part	Description	Quantity
AA	M8*120 mm combination bolt	4
BB	M8 washer	4
CC	M8 nut	4
DD	M6*15 mm combination bolt	8
EE	M6*35 mm combination bolt	10
FF	M6*40 mm combination bolt	4
GG	M6*60 mm combination bolt	4
HH	M6*80 mm combination bolt	4
II	Washer	4
JJ	M6 washer	8
KK	M6 nut	8
LL	M8 wrench	2
MM	M6 wrench	2
NN	M8 wrench	1

Pre-Assembly (continued)

PACKAGE CONTENTS



Part	Description	Quantity
A	Front leg	2
B	Back leg	2
C	Cross beam	1
D	Long leg connector bracket	1
E	Back panel	1
F	Seat panel	1
G	Left arm	1
H	Right arm	1
I	Short leg connector bracket	2
J	Short bar	2
K	Long bar	2
L	Metal spring	2
M	Canopy cover	1
N	Canopy cross bar	3
O	Canopy side panel	2
P	Adjusting button	2

Assembly

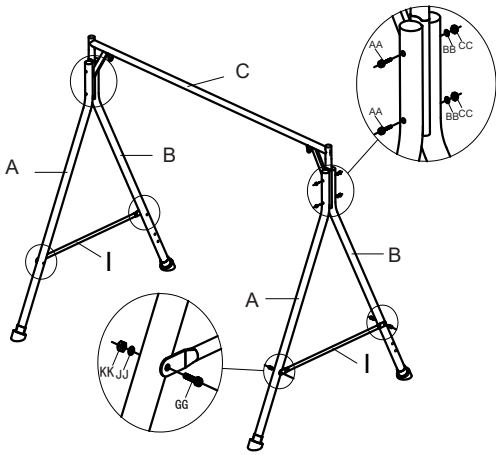
1 Attaching the legs to the cross beam

- Attach the front legs (A) and back legs (B) to the cross beam (C) with M8x115 bolts (AA), M8 washers (BB) and M8 nuts (CC).



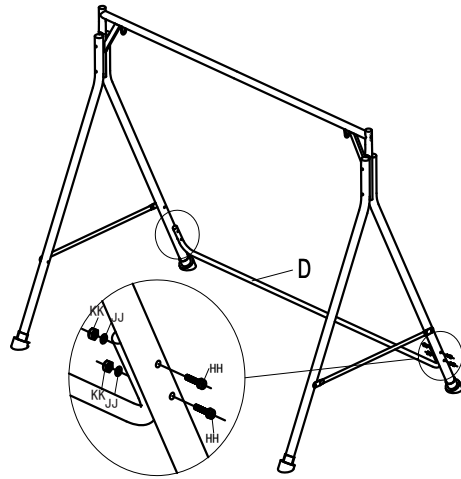
NOTE: Please ensure all bolts are aligned and assembled correctly. Loosely tighten all bolts using M8 wrench (LL and NN).

- Attach the short leg connector (I) to the front leg (A) and back leg (B) with M6x60 bolts, M6 washers and M6 nuts.
- Once all of the bolts are in place, fully tighten the bolts.



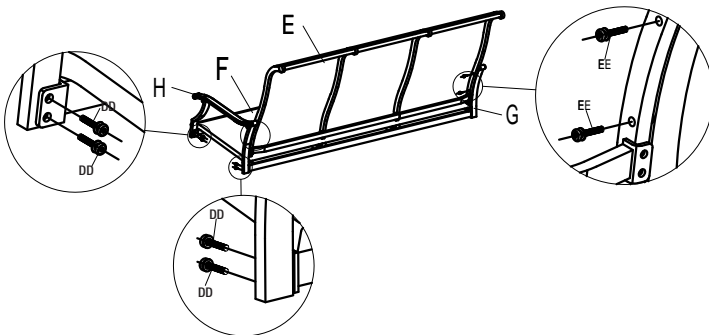
2 Attaching the long leg connector bracket

- Attach the long leg connector (D) to the back leg (B) with M6x80 bolts, M6 washers (JJ) and M6 nuts (KK).
- Once all of the bolts are in place, fully tighten the bolts using M6 wrenches (LL and MM).



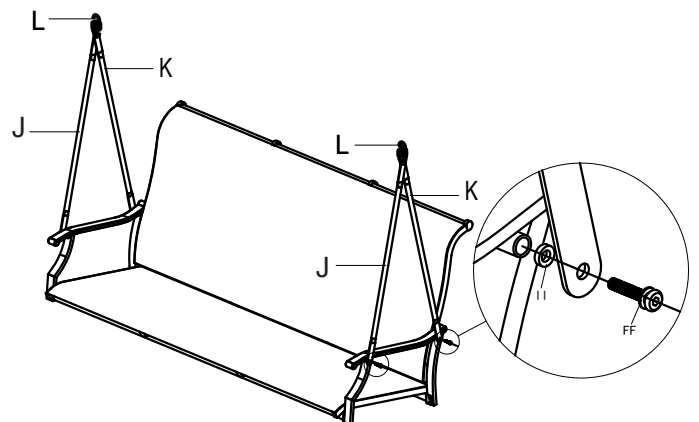
3 Attaching the chair part

- Attach the left arm (G) and right arm (H) to the seat panel (F) with M6x15 bolts (DD). Loosely tighten using the wrench (LL).
- Attach the back panel (E) to the arms (G and H) with M6x35 bolts (EE). Loosely tighten using wrench (LL).
- Once all of the bolts are in place, fully tighten the bolts.



4 Attaching the bars to the armrest and metal spring

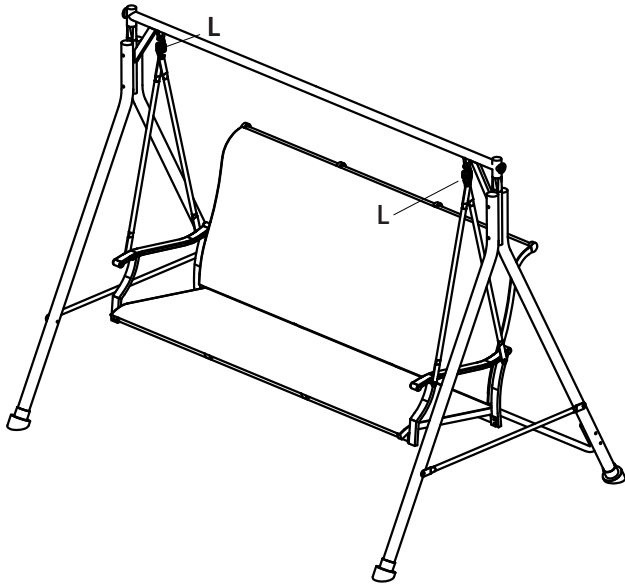
- Attach the short bar (J) and long bar (K) to the armrest (G and H) with M6x40 bolts (FF) and M6 washers (II).
- Once all of the bolts are in place, fully tighten the bolts.
- Attach the short bar (J) and long bar (K) to the metal spring (L).



Assembly (continued)

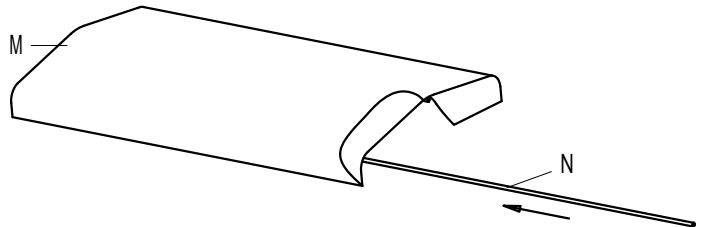
5 Attaching the metal spring to the cross beam

- Attach the metal springs (L) to the cross beam.



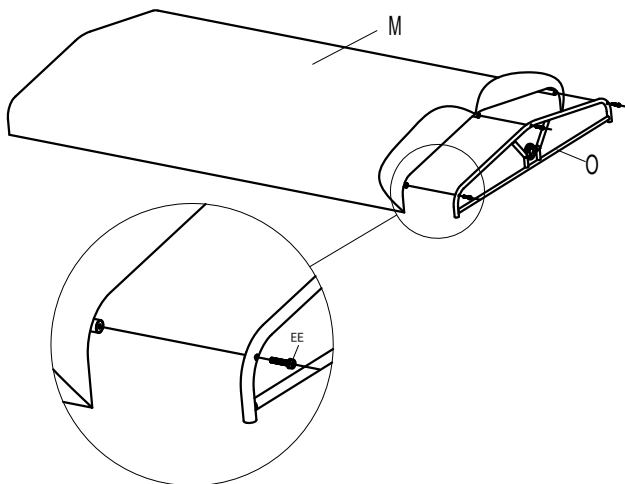
6 Attaching the canopy cover

- Attach the canopy cover (M) to the cross bar (N).



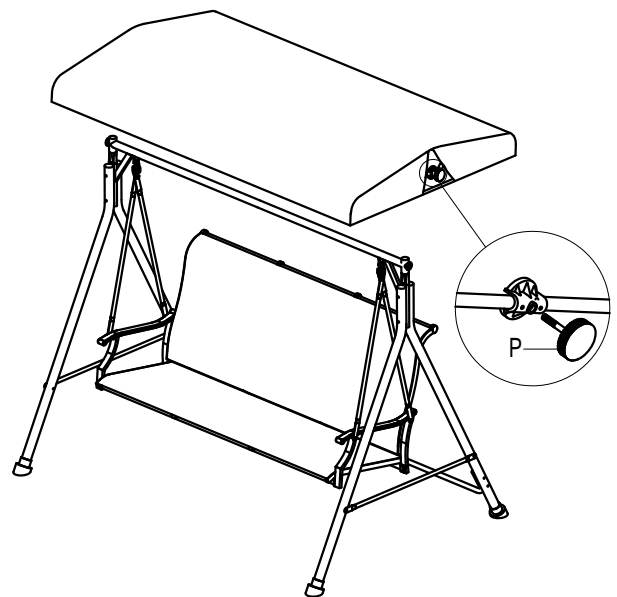
7 Attaching the canopy side panel

- Attach the canopy cover (M) to the side panel (O) using M6x35 bolts (EE). Loosely tighten using the M6 wrench (NN).
- Fully tighten the bolts.



8 Attaching the canopy to the cross beam

- Attach the whole canopy to the cross beam with adjusting buttons (P).
- Fully tighten the buttons. Now the swing is ready for use.



Care and Cleaning

- Do not allow water to build up in the frames. This will cause corrosion and possible freezing damage in cold climates.
- Use a mild soap and water for normal cleaning. Do not use janitorial or alcohol based cleaners. Some cleaners may be marked as natural, but some ingredients may cause discoloration or have an adverse reaction to your finish.
- Rinse with clean water and dry with a soft, absorbent cloth towel.
- Treat the frames with a liquid wax for maximum protection against UV rays and/or salty, damp air.

HAMPTON BAY®

Questions, problems, missing parts? Before returning to the store,
call Hampton Bay Customer Service
8 a.m. – 7 p.m., EST, Monday – Friday, 9 a.m. – 6 p.m., EST, Saturday

1-855-HD-HAMPTON

HAMPTONBAY.COM

Retain this manual for future use.