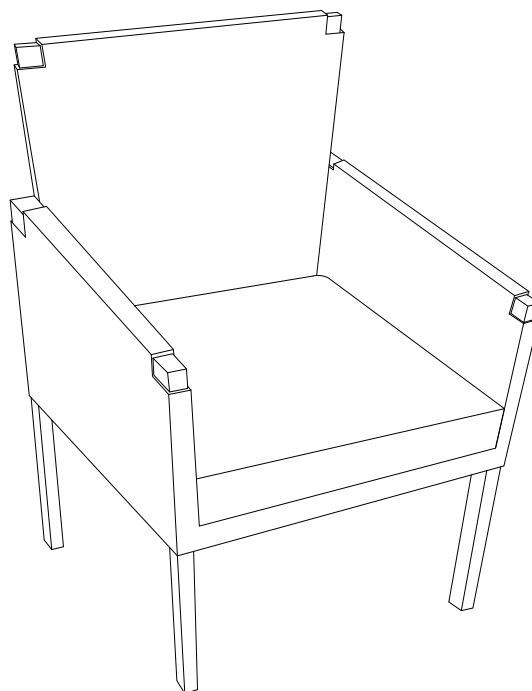


USE AND CARE GUIDE

PARK LANE 6PC MEM DAY KD PROMO SET- CHAIR



Questions, problems, missing parts?
Before returning to the store, call Customer Service
8 a.m. - 7 p.m., EST, Monday - Friday, 9 a.m. - 6 p.m., EST, Saturday

1-877-527-0313

HOMEDEPOT.COM

THANK YOU

We appreciate the trust and confidence you have placed in StyleWell through the purchase of this chair. We strive to continually create quality products designed to enhance your home. Visit us online to see our full line of products available for your home improvement needs. Thank you for choosing StyleWell !

Table of Contents

Table of Contents	2	Pre-Assembly.....	3
Important Safety Instructions.....	2	Planning Assembly	3
Warranty	2	Hardware Included	3
What is Covered	2	Package Contents	3
What is not Covered	2	Assembly	4
		Care and Cleaning	5

Important Safety Instructions

SAVE THESE INSTRUCTIONS

READ ALL INSTRUCTIONS BEFORE USE

To reduce the risk of injury to persons:

1. Close supervision is necessary when this furnishing is used by or near children, or disabled persons, if applicable.
2. Use this furnishing only for its intended use as described in these instructions. Do not use attachments not recommended by the manufacturer.

Warranty

THIS IS A RESIDENTIAL WARRANTY ONLY AND DOES NOT APPLY TO COMMERCIAL USE

1 YEAR FRAME AND FABRIC LIMITED WARRANTY

WHAT IS COVERED

We warrant the frame and the fabric to be free of manufacturing defects to the original purchaser for one year.

WHAT IS NOT COVERED

It remains the customer's responsibility for freight and packaging charges to and from our service center. This warranty does not cover commercial use, hardware, acts of nature, fire, freezing, and abusive use. In addition, purchased parts are not covered under this warranty. We reserve the right to make substitutions with similar merchandise, if the model in question is no longer in production.

For a copy of our full limited warranty, please contact the Customer Service Team at 1-877-527-0313 or visit www.homedepot.com.

Pre-Assembly

PLANNING ASSEMBLY

Please read this entire instruction manual prior to assembly.

Verify all parts packed in the carton against the parts list. Remove all protective materials and place the parts on a non-abrasive surface to avoid scratching.

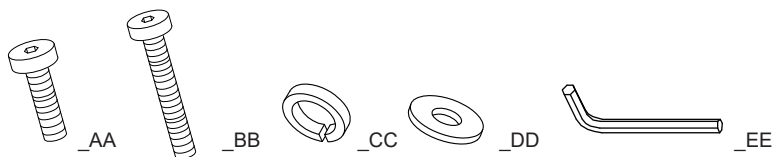


NOTE: More than one person may be required to complete the assembly of this product.

HARDWARE INCLUDED

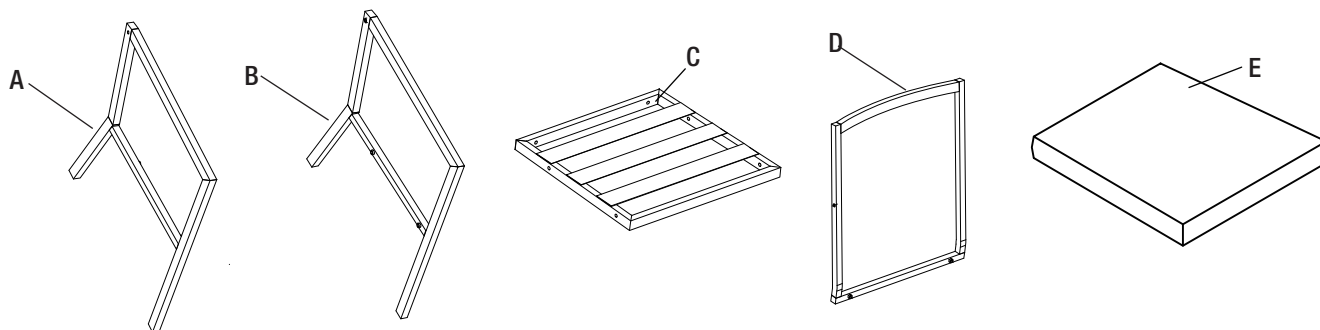


NOTE: Hardware not shown to actual size.



Part	Description	Quantity
AA	M6*25 mm hex bolt	2
BB	M6*40 mm hex bolt	6
CC	M6 spring washer	6
DD	M6 washer	6
EE	M6 hex wrench	1

PACKAGE CONTENTS

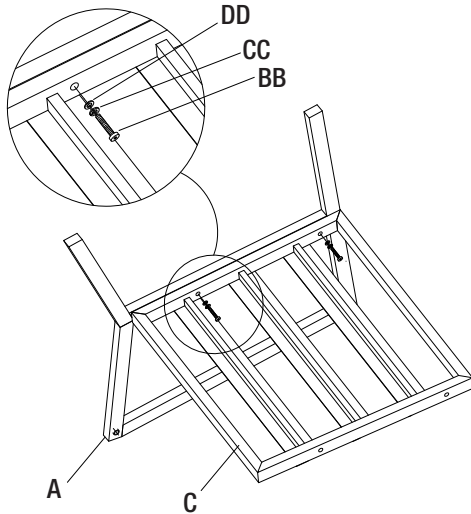


Part	Description	Quantity
A	Left arm panel	1
B	Right arm panel	1
C	Seat panel	1
D	Chair back	1
E	Seat cushion	1

Assembly

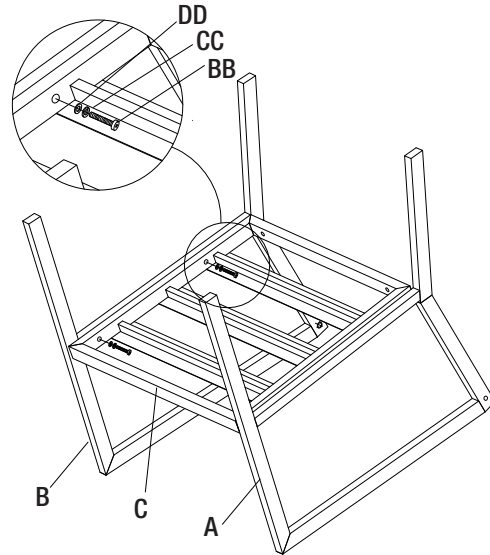
1 Attaching the left arm panel

- Attach the left arm panel (A) to seat panel (C) using M6x40 mm hex bolts (BB), M6 spring washers (CC) and M6 washers (DD).
- Tighten all M6x40mm hex bolts (BB) with the M6 wrench (EE).



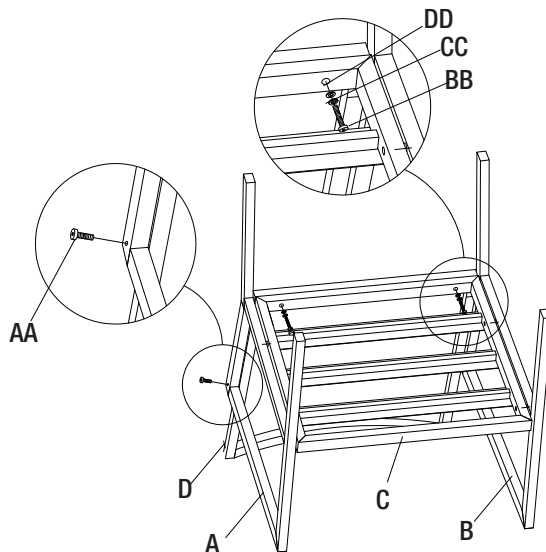
2 Attaching the right arm panel

- Attach the right arm panel (B) to seat panel (C) using M6x40 mm hex bolts (BB), M6 spring washers (CC) and M6 washers (DD).
- Tighten all M6x40mm hex bolts (BB) with the M6 wrench (EE).



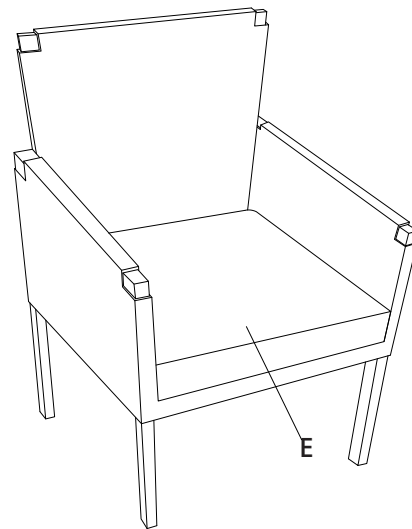
3 Attaching the back panel

- Attach the chair back (D) to the seat panel (C) and arm panels (A and B) using M6x40mm hex bolts (BB), M6 spring washers (CC), M6 washers (DD) and M6x25mm hex bolts (AA).
- Tighten all M6x40mm hex bolts (BB) and M6x25mm bolts (AA) with the M6 wrench (EE).



4 Adding the cushion

- Turn over the chair and place the seat cushion (E) on the chair.
- The chair is now ready for use.



Care and Cleaning

- Do not allow water to build up in the frames. This will cause corrosion and possible freezing damage in cold climates.
- Use a mild soap and water for normal cleaning. Do not use janitorial or alcohol based cleaners. Some cleaners may be marked as natural, but some ingredients may cause discoloration or have an adverse reaction to your finish.
- Rinse with clean water and dry with a soft, absorbent cloth towel.
- Treat the frames with a liquid wax for maximum protection against UV rays and/or salty, damp air.

StyleWell™

Questions, problems, missing parts? Before returning to the store,
call StyleWell Customer Service
8 a.m. - 7 p.m., EST, Monday - Friday, 9 a.m. - 6 p.m., EST, Saturday

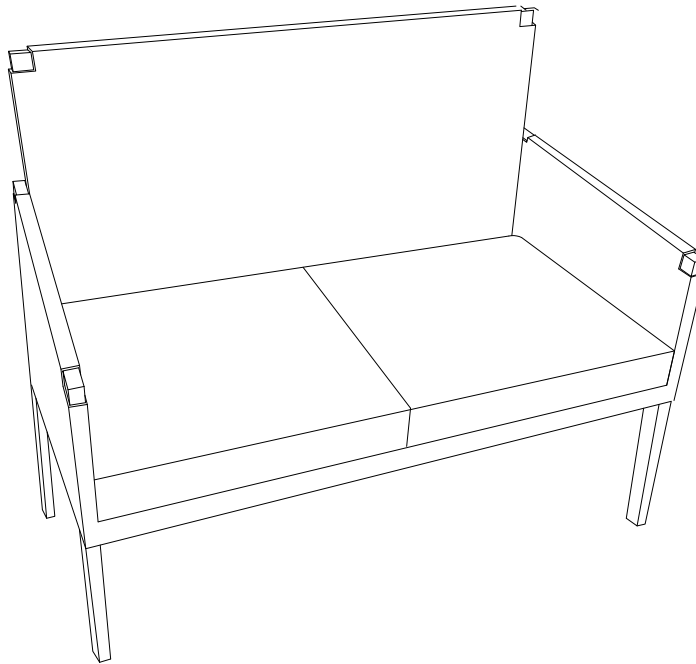
1-877-527-0313

HOMEDEPOT.COM

Retain this manual for future use.

USE AND CARE GUIDE

PARK LANE 6PC MEM DAY KD PROMO SET- LOVESEAT



Questions, problems, missing parts?
Before returning to the store, call Customer Service
8 a.m. - 7 p.m., EST, Monday - Friday, 9 a.m. - 6 p.m., EST, Saturday

1-877-527-0313

HOMEDEPOT.COM

THANK YOU

We appreciate the trust and confidence you have placed in StyleWell through the purchase of this loveseat. We strive to continually create quality products designed to enhance your home. Visit us online to see our full line of products available for your home improvement needs. Thank you for choosing StyleWell !

Table of Contents

Table of Contents	2	Pre-Assembly.....	3
Important Safety Instructions.....	2	Planning Assembly	3
Warranty	2	Hardware Included	3
What is Covered	2	Package Contents	3
What is not Covered	2	Assembly	4
		Care and Cleaning	5

Important Safety Instructions

SAVE THESE INSTRUCTIONS

READ ALL INSTRUCTIONS BEFORE USE

To reduce the risk of injury to persons:

1. Close supervision is necessary when this furnishing is used by or near children, or disabled persons, if applicable.
2. Use this furnishing only for its intended use as described in these instructions. Do not use attachments not recommended by the manufacturer.

Warranty

THIS IS A RESIDENTIAL WARRANTY ONLY AND DOES NOT APPLY TO COMMERCIAL USE

1 YEAR FRAME AND FABRIC LIMITED WARRANTY

WHAT IS COVERED

We warrant the frame and the fabric to be free of manufacturing defects to the original purchaser for one year.

WHAT IS NOT COVERED

It remains the customer's responsibility for freight and packaging charges to and from our service center. This warranty does not cover commercial use, hardware, acts of nature, fire, freezing, and abusive use. In addition, purchased parts are not covered under this warranty. We reserve the right to make substitutions with similar merchandise, if the model in question is no longer in production.

For a copy of our full limited warranty, please contact the Customer Service Team at 1-877-527-0313 or visit www.homedepot.com.

Pre-Assembly

PLANNING ASSEMBLY

Please read this entire instruction manual prior to assembly.

Verify all parts packed in the carton against the parts list. Remove all protective materials and place the parts on a non-abrasive surface to avoid scratching.

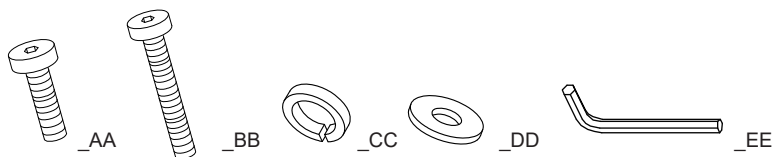


NOTE: More than one person may be required to complete the assembly of this product.

HARDWARE INCLUDED

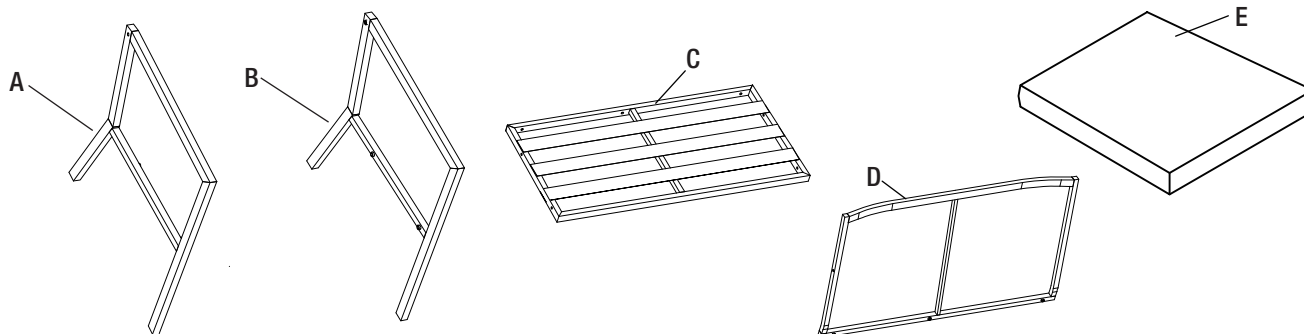


NOTE: Hardware not shown to actual size.



Part	Description	Quantity
AA	M6*25 mm hex bolt	2
BB	M6*40 mm hex bolt	7
CC	M6 spring washer	7
DD	M6 washer	7
EE	M6 hex wrench	1

PACKAGE CONTENTS

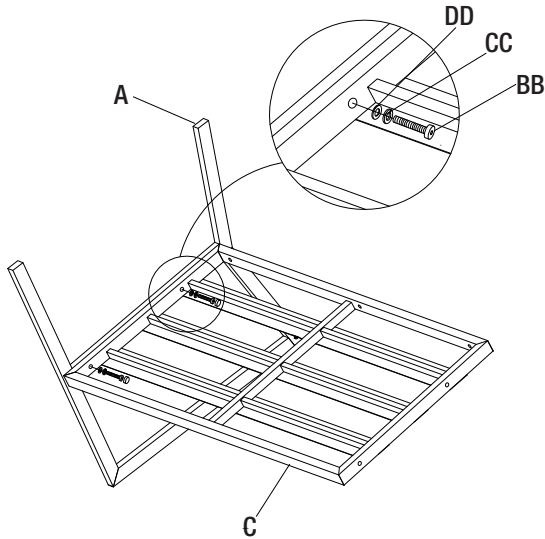


Part	Description	Quantity
A	Left arm panel	1
B	Right arm panel	1
C	Seat panel	1
D	Chair back	1
E	Seat cushion	2

Assembly

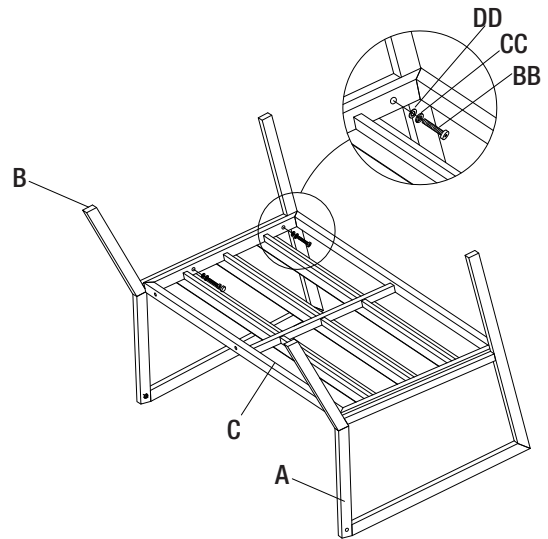
1 Attaching the left arm panel

- Attach the left arm panel (A) to seat panel (C) using M6x40 mm hex bolts (BB), M6 spring washers (CC) and M6 washers (DD).
- Tighten all M6x40mm hex bolts (BB) with the M6 wrench (EE).



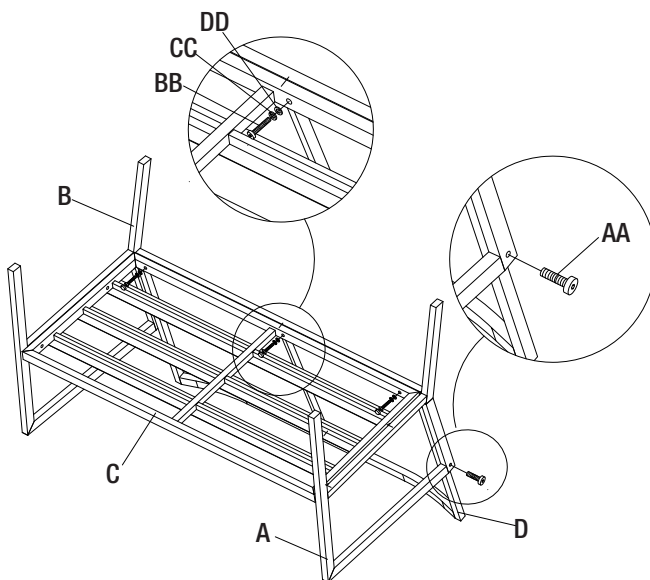
2 Attaching the right arm panel

- Attach the right arm panel (B) to seat panel (C) using M6x40 mm hex bolts (BB), M6 spring washers (CC) and M6 washers (DD).
- Tighten all M6x40mm hex bolts (BB) with the M6 wrench (EE).



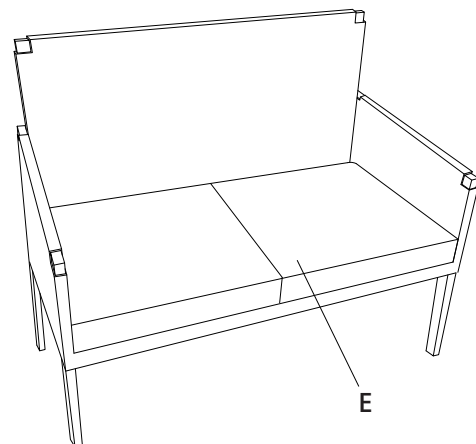
3 Attaching the back panel

- Attach the chair back (D) to the seat panel (C) and arm panels (A and B) using M6x40mm hex bolts (BB), M6 spring washers (CC), M6 washers (DD) and M6x25mm hex bolts (AA).
- Tighten all M6x40mm hex bolts (BB) and M6x25mm bolts (AA) with the M6 wrench (EE).



4 Adding the cushions

- Turn over the loveseat and place the seat cushions (E) on the loveseat.
- The loveseat is now ready for use.



Care and Cleaning

- Do not allow water to build up in the frames. This will cause corrosion and possible freezing damage in cold climates.
- Use a mild soap and water for normal cleaning. Do not use janitorial or alcohol based cleaners. Some cleaners may be marked as natural, but some ingredients may cause discoloration or have an adverse reaction to your finish.
- Rinse with clean water and dry with a soft, absorbent cloth towel.
- Treat the frames with a liquid wax for maximum protection against UV rays and/or salty, damp air.

StyleWell™

Questions, problems, missing parts? Before returning to the store,
call StyleWell Customer Service
8 a.m. - 7 p.m., EST, Monday - Friday, 9 a.m. - 6 p.m., EST, Saturday

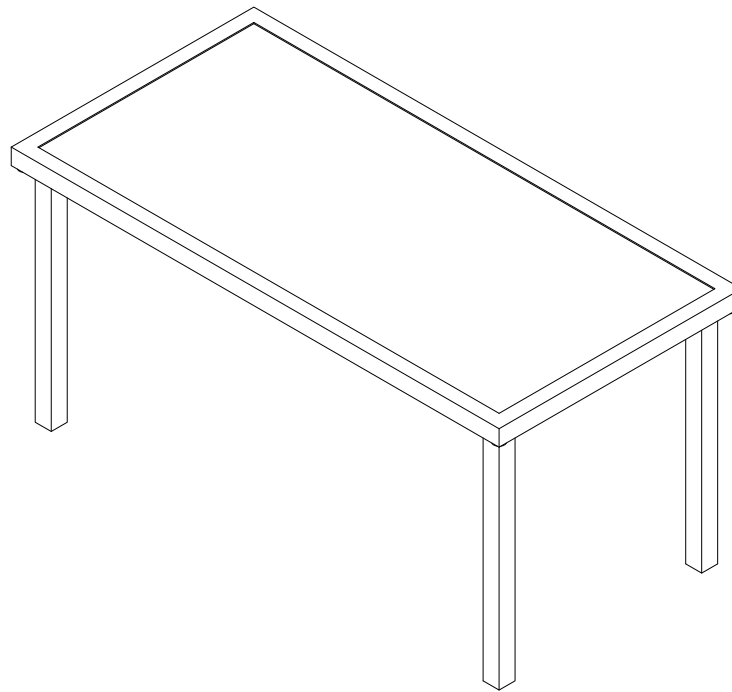
1-877-527-0313

HOMEDEPOT.COM

Retain this manual for future use.

USE AND CARE GUIDE

PARK LANE 6PC MEM DAY KD PROMO SET - COFFEE TABLE



Questions, problems, missing parts?
Before returning to the store, call Customer Service
8 a.m. - 7 p.m., EST, Monday - Friday, 9 a.m. - 6 p.m., EST, Saturday

1-877-527-0313

HOMEDEPOT.COM

THANK YOU

We appreciate the trust and confidence you have placed in StyleWell through the purchase of this table. We strive to continually create quality products designed to enhance your home. Visit us online to see our full line of products available for your home improvement needs. Thank you for choosing StyleWell !

Table of Contents

Table of Contents	2	Pre-Assembly.....	3
Important Safety Instructions.....	2	Planning Assembly	3
Warranty	2	Hardware Included	3
What is Covered	2	Package Contents	3
What is not Covered	2	Assembly	4
		Care and Cleaning	5

Important Safety Instructions

SAVE THESE INSTRUCTIONS

READ ALL INSTRUCTIONS BEFORE USE

To reduce the risk of injury to persons:

1. Close supervision is necessary when this furnishing is used by or near children, or disabled persons, if applicable.
2. Use this furnishing only for its intended use as described in these instructions. Do not use attachments not recommended by the manufacturer.
3. The table is not intended to support an umbrella alone, an umbrella shall always be used with a suitable base

Warranty

THIS IS A RESIDENTIAL WARRANTY ONLY AND DOES NOT APPLY TO COMMERCIAL USE

1 YEAR FRAME LIMITED WARRANTY

WHAT IS COVERED

We warrant the frame and the fabric to be free of manufacturing defects to the original purchaser for one year.

WHAT IS NOT COVERED

It remains the customer's responsibility for freight and packaging charges to and from our service center. This warranty does not cover commercial use, hardware, acts of nature, fire, freezing, and abusive use. In addition, purchased parts are not covered under this warranty. We reserve the right to make substitutions with similar merchandise, if the model in question is no longer in production.

For a copy of our full limited warranty, please contact the Customer Service Team at 1-877-527-0313 or visit www.homedepot.com.

Pre-Assembly

PLANNING ASSEMBLY

Please read this entire instruction manual prior to assembly.

Verify all parts packed in the carton against the parts list. Remove all protective materials and place the parts on a non-abrasive surface to avoid scratching.



NOTE: More than one person may be required to complete the assembly of this product.

HARDWARE INCLUDED

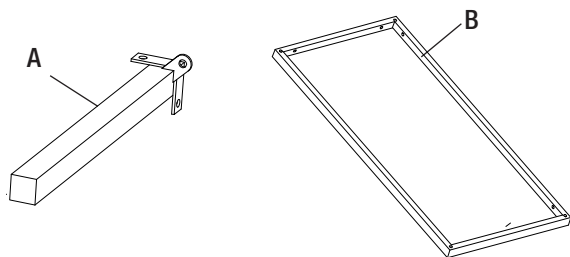


NOTE: Hardware not shown to actual size.



Part	Description	Quantity
AA	M6x20 mm bolt	12
BB	M6 spring washer	12
CC	M6 washer	12
DD	M6 hex wrench	1

PACKAGE CONTENTS

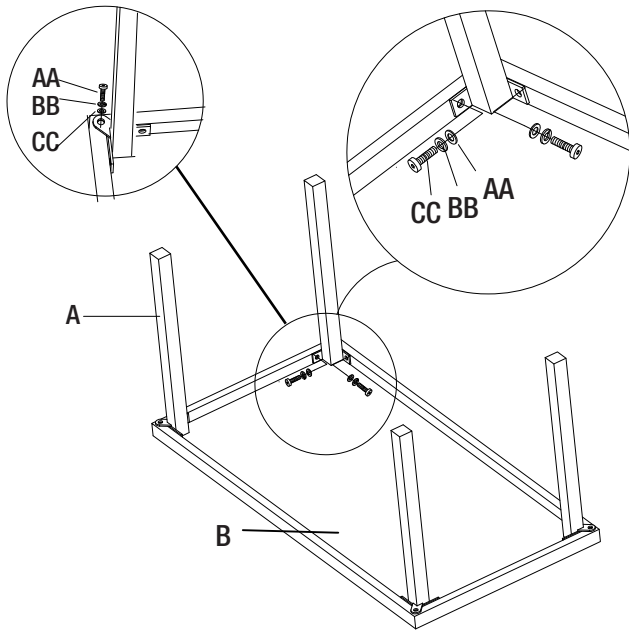


Part	Description	Quantity
A	Table leg	4
B	Table top	1

Assembly

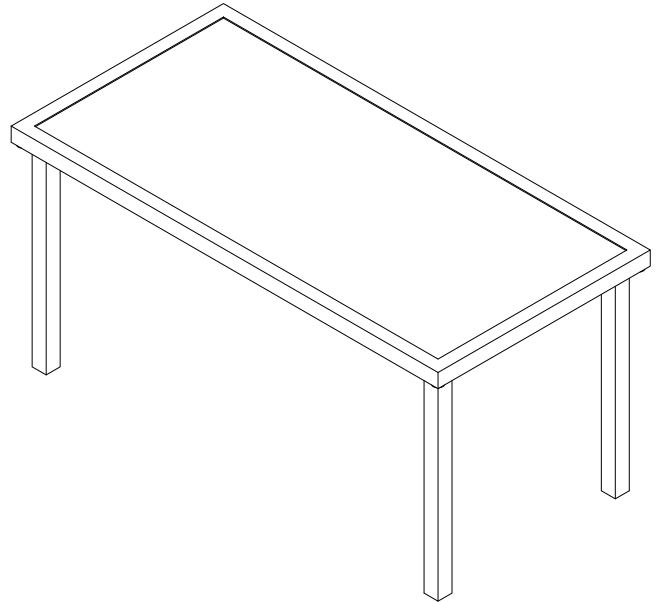
1 Attaching the table legs to the table top

- Attach the table legs (A) to table top (B) using M6x20mm bolts (AA), M6 spring washers (BB) and M6 washers (CC).
- Tighten all M6x20mm bolts (AA) with the M6 hex wrench (DD).



2 Positioning the table

- Turn the table over. The table is now ready for use.



Care and Cleaning

- Do not allow water to build up in the frames. This will cause corrosion and possible freezing damage in cold climates.
- Use a mild soap and water for normal cleaning. Do not use janitorial or alcohol based cleaners. Some cleaners may be marked as natural, but some ingredients may cause discoloration or have an adverse reaction to your finish.
- Rinse with clean water and dry with a soft, absorbent cloth towel.
- Treat the frames with a liquid wax for maximum protection against UV rays and/or salty, damp air.

StyleWell™

Questions, problems, missing parts? Before returning to the store,
call StyleWell Customer Service
8 a.m. – 7 p.m., EST, Monday – Friday, 9 a.m. – 6 p.m., EST, Saturday

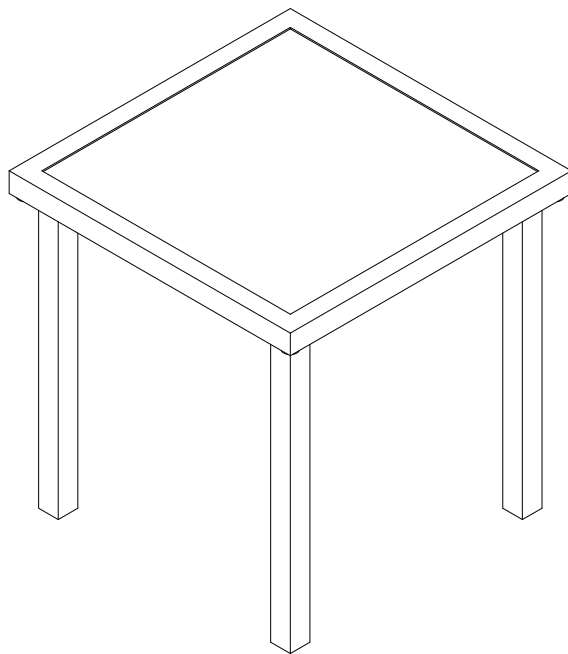
1-877-527-0313

HOMEDEPOT.COM

Retain this manual for future use.

USE AND CARE GUIDE

PARK LANE 6PC MEM DAY KD PROMO SET - SIDE TABLE



Questions, problems, missing parts?
Before returning to the store, call Customer Service
8 a.m. - 7 p.m., EST, Monday - Friday, 9 a.m. - 6 p.m., EST, Saturday

1-877-527-0313

HOMEDEPOT.COM

THANK YOU

We appreciate the trust and confidence you have placed in StyleWell through the purchase of this table. We strive to continually create quality products designed to enhance your home. Visit us online to see our full line of products available for your home improvement needs. Thank you for choosing StyleWell !

Table of Contents

Table of Contents	2	Pre-Assembly.....	3
Important Safety Instructions.....	2	Planning Assembly	3
Warranty	2	Hardware Included	3
What is Covered	2	Package Contents	3
What is not Covered	2	Assembly	4
		Care and Cleaning	5

Important Safety Instructions

SAVE THESE INSTRUCTIONS

READ ALL INSTRUCTIONS BEFORE USE

To reduce the risk of injury to persons:

1. Close supervision is necessary when this furnishing is used by or near children, or disabled persons, if applicable.
2. Use this furnishing only for its intended use as described in these instructions. Do not use attachments not recommended by the manufacturer.
3. The table is not intended to support an umbrella alone, an umbrella shall always be used with a suitable base

Warranty

THIS IS A RESIDENTIAL WARRANTY ONLY AND DOES NOT APPLY TO COMMERCIAL USE

1 YEAR FRAME LIMITED WARRANTY

WHAT IS COVERED

We warrant the frame and the fabric to be free of manufacturing defects to the original purchaser for one year.

WHAT IS NOT COVERED

It remains the customer's responsibility for freight and packaging charges to and from our service center. This warranty does not cover commercial use, hardware, acts of nature, fire, freezing, and abusive use. In addition, purchased parts are not covered under this warranty. We reserve the right to make substitutions with similar merchandise, if the model in question is no longer in production.

For a copy of our full limited warranty, please contact the Customer Service Team at 1-877-527-0313 or visit www.homedepot.com.

Pre-Assembly

PLANNING ASSEMBLY

Please read this entire instruction manual prior to assembly.

Verify all parts packed in the carton against the parts list. Remove all protective materials and place the parts on a non-abrasive surface to avoid scratching.



NOTE: More than one person may be required to complete the assembly of this product.

HARDWARE INCLUDED

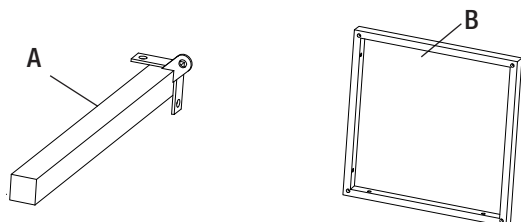


NOTE: Hardware not shown to actual size.



Part	Description	Quantity
AA	M6x20 mm bolt	12
BB	M6 spring washer	12
CC	M6 washer	12
DD	M6 hex wrench	1

PACKAGE CONTENTS

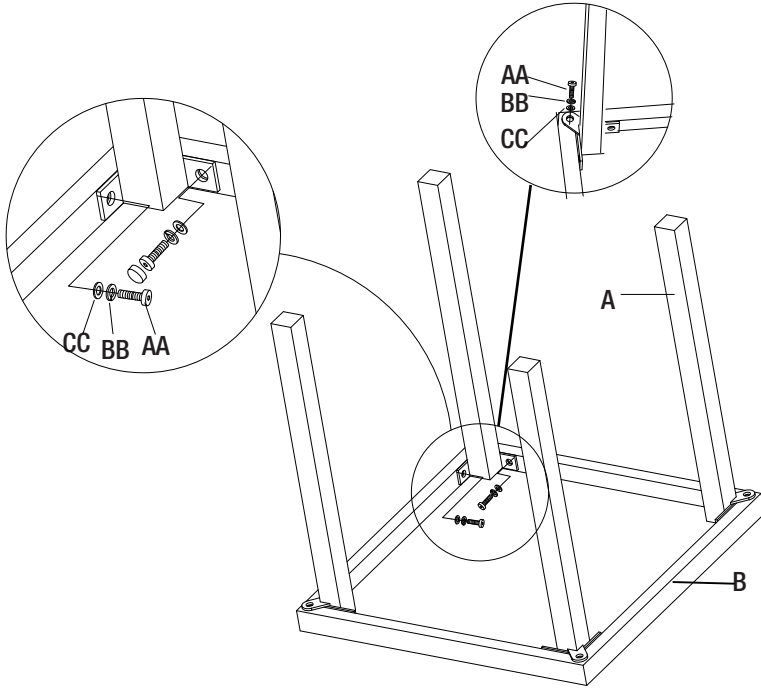


Part	Description	Quantity
A	Table leg	4
B	Table top	1

Assembly

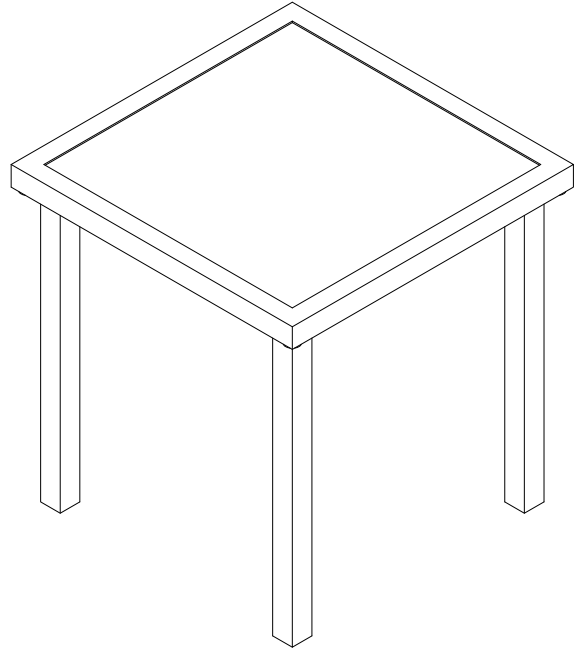
1 Attaching the table legs to the table top

- Attach the table legs (A) to table top (B) using M6x20mm bolts (AA), M6 spring washers (BB) and M6 washers (CC).
- Tighten all M6x20mm bolts (AA) with the M6 hex wrench (DD).



2 Positioning the table

- Turn the table over. The table is now ready for use.



Care and Cleaning

- Do not allow water to build up in the frames. This will cause corrosion and possible freezing damage in cold climates.
- Use a mild soap and water for normal cleaning. Do not use janitorial or alcohol based cleaners. Some cleaners may be marked as natural, but some ingredients may cause discoloration or have an adverse reaction to your finish.
- Rinse with clean water and dry with a soft, absorbent cloth towel.
- Treat the frames with a liquid wax for maximum protection against UV rays and/or salty, damp air.

StyleWell™

Questions, problems, missing parts? Before returning to the store,
call StyleWell Customer Service
8 a.m. – 7 p.m., EST, Monday – Friday, 9 a.m. – 6 p.m., EST, Saturday

1-877-527-0313

HOMEDEPOT.COM

Retain this manual for future use.