

Item# 1005632308
1005600981
1005602959
Model# GC-41019-SSP

HAMPTON BAY[®]

USE AND CARE GUIDE

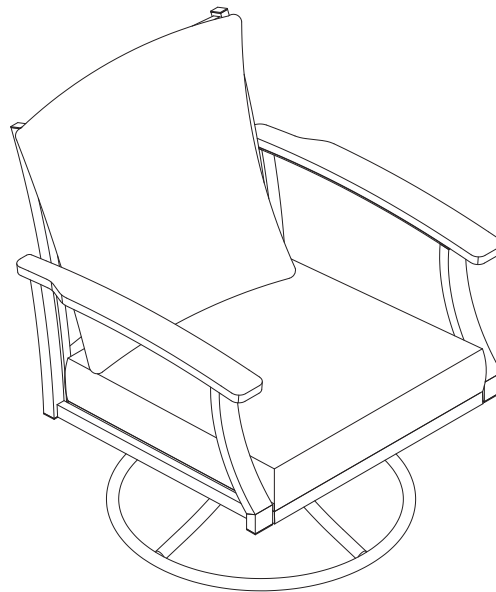
MARINA POINT 5PCS MOTION CHAT SET-CHAIR

Before you begin >>>



3D-GUIDED INTERACTIVE ASSEMBLY INSTRUCTIONS CAN BE FOUND IN BILT[®]
DOWNLOAD THE **FREE** APP

SCAN FOR BILT 3D INSTRUCTIONS



Questions, problems, missing parts? Before returning to the store,
call Hampton Bay Customer Service
8 a.m. - 7 p.m., EST, Monday – Friday, 9 a.m. – 6 p.m., EST, Saturday

1-855-HD-HAMPTON

HAMPTONBAY.COM

THANK YOU

We appreciate the trust and confidence you have placed in Hampton Bay through the purchase of this chair. We strive to continually create quality products designed to enhance your home. Visit us online to see our full line of products available for your home improvement needs. Thank you for choosing Hampton Bay!

Table of Contents

Table of Contents	2	Pre-Assembly.....	3
Important Safety Instructions.....	2	Planning Assembly	3
Warranty	2	Hardware Included	3
What is Covered.....	2	Package Contents	3
What is not Covered	2	Assembly	4
		Care and Cleaning	5

Important Safety Instructions

SAVE THESE INSTRUCTIONS

READ ALL INSTRUCTIONS BEFORE USE

To reduce the risk of injury to persons:

1. Close supervision is necessary when this furnishing is used by or near children, or disabled persons, if applicable.
2. Use this furnishing only for its intended use as described in these instructions. Do not use attachments not recommended by the manufacturer.

Warranty

THIS IS A RESIDENTIAL WARRANTY ONLY AND DOES NOT APPLY TO COMMERCIAL USE

3 YEAR FRAME AND FABRIC LIMITED WARRANTY

WHAT IS COVERED

We warrant the frame and the fabric to be free of manufacturing defects to the original purchaser for three years.

WHAT IS NOT COVERED

It remains the customer's responsibility for freight and packaging charges to and from our service center. This warranty does not cover commercial use, hardware, acts of nature, fire, freezing, and abusive use. In addition, purchased parts are not covered under this warranty. We reserve the right to make substitutions with similar merchandise, if the model in question is no longer in production.

For a copy of our full limited warranty, please contact our customer service team at 1-855-HD-HAMPTON or visit www.hamptonbay.com.

Pre-Assembly

PLANNING ASSEMBLY

Please read this entire instruction manual prior to assembly.

Verify all parts packed in the carton against the parts list. Remove all protective materials and place the parts on a non-abrasive surface to avoid scratching.



NOTE: More than one person may be required to complete the assembly of this product.

HARDWARE INCLUDED

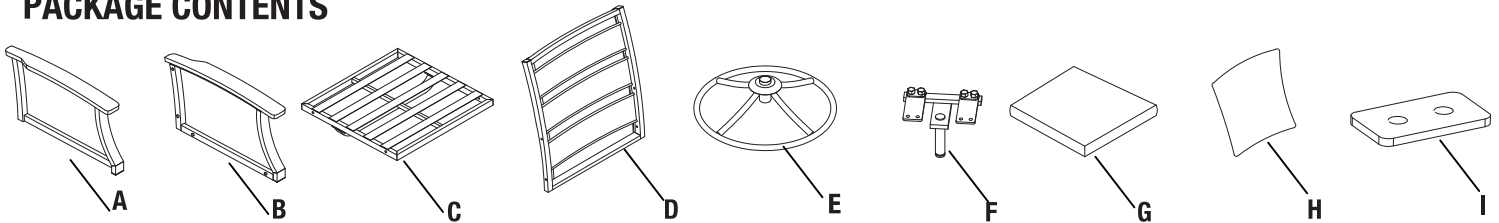


NOTE: Hardware not shown to actual size.



Part	Description	Quantity
AA	M6 x 35 mm combination bolt	8
BB	M8 nut	4
CC	M8 x 50 mm hex bolt	4
DD	M8 washer	8
EE	M8 spring washer	4
FF	Hex wrench	2
GG	Allen wrench	1

PACKAGE CONTENTS



Part	Description	Quantity
A	Right arm	1
B	Left arm	1
C	Seat panel	1
D	Back panel	1
E	Chair base	1
F	T-rock	1
G	Seat cushion	1
H	Back cushion	1
I	Steel plate	4

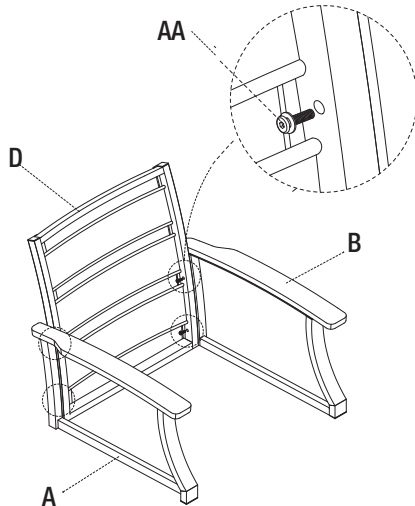
Assembly

1 Attaching the arms to the back panel

- Attach the right arm (A) and left arm (B) to the back panel (D) with the M6 x 35 bolts (AA).

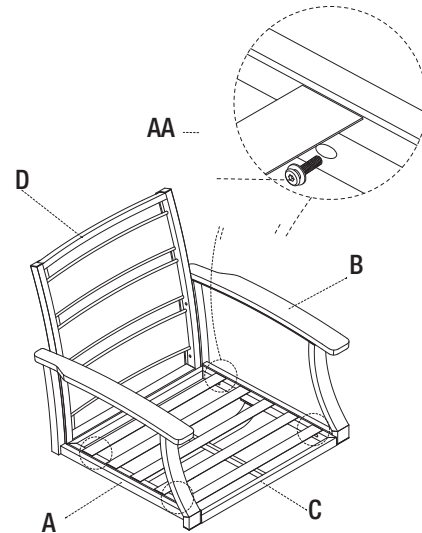


NOTE: Please ensure all bolts are aligned and assembled correctly. Do not tighten bolts until the frame assembly is complete.



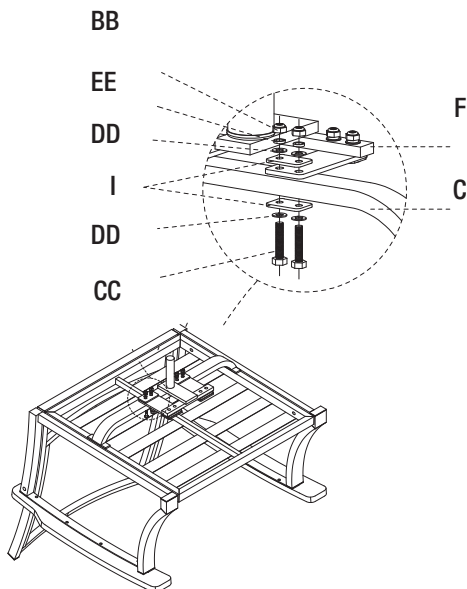
2 Attaching the seat panel

- Attach the seat panel (C) to the arms (A and B) with the M6 x 35 bolts (AA).
- Tighten all the bolts with the Allen wrench (GG).



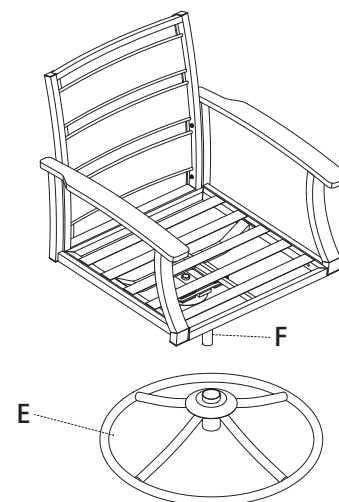
3 Attaching the T-rock

- Attach the T-rock (F) to the finished frame with four M8 x 50mm hex bolts in the order of bolts (CC), M8 washers (DD), rectangular steel plates (I), chair seat (C), T-rock (F), rectangular steel plates (I), M8 washers (DD), M8 spring washers (EE) and M8 nuts (BB).
- Tighten all M8 x 50mm bolts (CC) with M6-M8 hex wrench (FF).



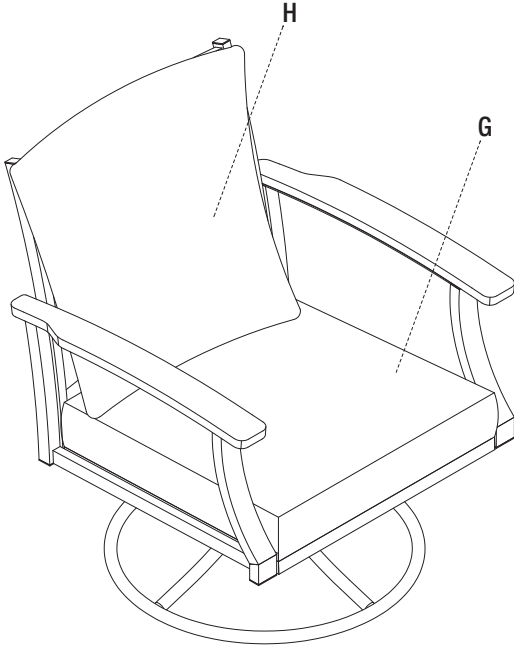
4 Connecting the chair base to the chair bucket

- Turn the chair right side up. Insert the chair bucket into the chair base (E).



5 Adding the cushions

- Place the seat cushion (G) and back cushion (H) on the lounge chair. The chair is now ready for use.



Care and Cleaning

- Do not allow water to build up in the frames. This will cause corrosion and possible freezing damage in cold climates.
- Use a mild soap and water for normal cleaning. Do not use janitorial or alcohol based cleaners. Some cleaners may be marked as natural, but some ingredients may cause discoloration or have an adverse reaction to your finish.
- Rinse with clean water and dry with a soft, absorbent cloth towel.
- Treat the frames with a liquid wax for maximum protection against UV rays and/or salty, damp air.

HAMPTON BAY[®]

Questions, problems, missing parts? Before returning to the store,
call Hampton Bay Customer Service
8 a.m. – 7 p.m., EST, Monday – Friday, 9 a.m. – 6 p.m., EST, Saturday

1-855-HD-HAMPTON

HAMPTONBAY.COM

Retain this manual for future use.

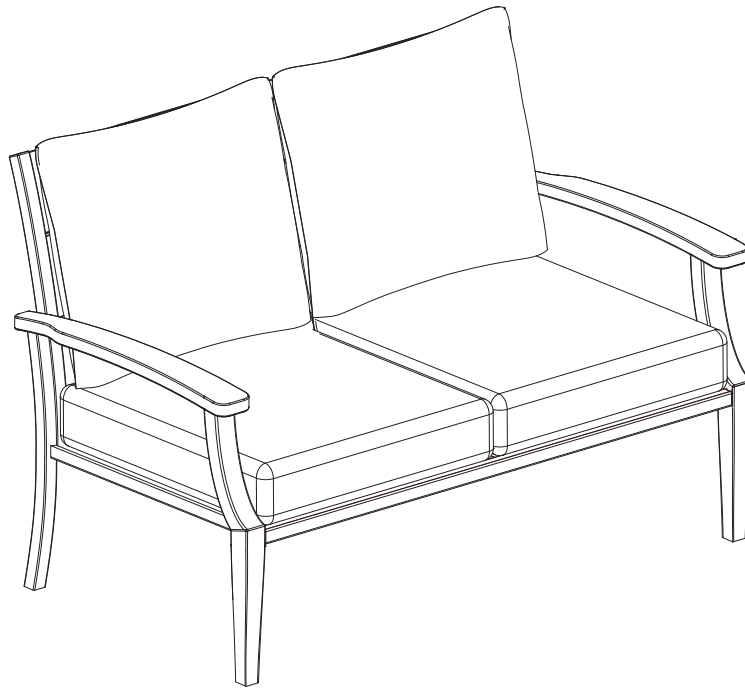
Item# XXXX XXX XXX
XXXX XXX XXX

Model# GB-11152-SSP

HAMPTON BAY[®]

USE AND CARE GUIDE

MARINA POINT 4PCS SEATING SET-LOVESEAT



Questions, problems, missing parts? Before returning to the store,
call Hampton Bay Customer Service
8 a.m. - 7 p.m., EST, Monday – Friday, 9 a.m. – 6 p.m., EST, Saturday

1-855-HD-HAMPTON

HAMPTONBAY.COM

THANK YOU

We appreciate the trust and confidence you have placed in Hampton Bay through the purchase of this chair. We strive to continually create quality products designed to enhance your home. Visit us online to see our full line of products available for your home improvement needs. Thank you for choosing Hampton Bay!

Table of Contents

Table of Contents	2	Pre-Assembly	3
Important Safety Instructions	2	Planning Assembly	3
Warranty	2	Hardware Included	3
What is Covered	2	Package Contents	3
What is not Covered	2	Assembly	4
		Care and Cleaning	5

Important Safety Instructions

SAVE THESE INSTRUCTIONS

READ ALL INSTRUCTIONS BEFORE USE

To reduce the risk of injury to persons:

1. Close supervision is necessary when this furnishing is used by or near children, or disabled persons, if applicable.
2. Use this furnishing only for its intended use as described in these instructions. Do not use attachments not recommended by the manufacturer.

Warranty

THIS IS A RESIDENTIAL WARRANTY ONLY AND DOES NOT APPLY TO COMMERCIAL USE

3 YEAR FRAME AND FABRIC LIMITED WARRANTY

WHAT IS COVERED

We warrant the frame and the fabric to be free of manufacturing defects to the original purchaser for three years.

WHAT IS NOT COVERED

It remains the customer's responsibility for freight and packaging charges to and from our service center. This warranty does not cover commercial use, hardware, acts of nature, fire, freezing, and abusive use. In addition, purchased parts are not covered under this warranty. We reserve the right to make substitutions with similar merchandise, if the model in question is no longer in production.

For a copy of our full limited warranty, please contact our customer service team at 1-855-HD-HAMPTON or visit www.hamptonbay.com.

Pre-Assembly

PLANNING ASSEMBLY

Please read this entire instruction manual prior to assembly.

Verify all parts packed in the carton against the parts list. Remove all protective materials and place the parts on a non-abrasive surface to avoid scratching.

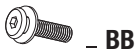


NOTE: More than one person may be required to complete the assembly of this product.

HARDWARE INCLUDED

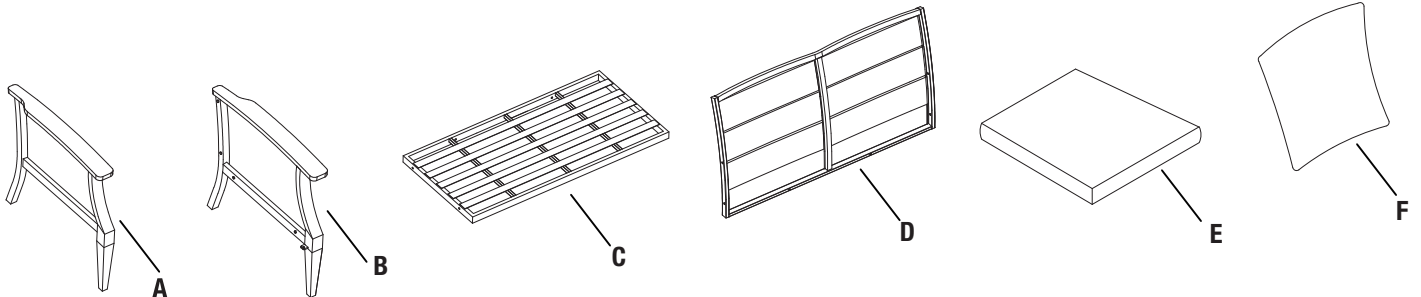


NOTE: Hardware not shown to actual size.



Part	Description	Quantity
AA	M6 x 20 mm combination bolt	2
BB	M6 x 35 mm combination bolt	10
CC	M6 Allen wrench	1

PACKAGE CONTENTS



Part	Description	Quantity
A	Right arm	1
B	Left arm	1
C	Seat panel	1
D	Back panel	1
E	Seat cushion	2
F	Back cushion	2

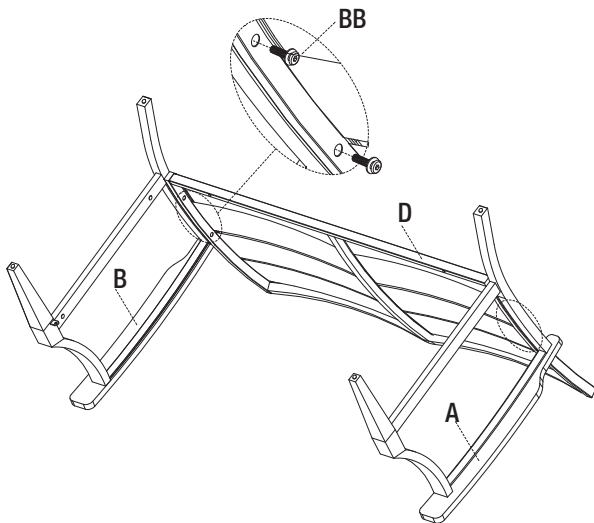
Assembly

1 Attaching the arms to the back panel

- Attach the left arm (B) and right arm (A) to the back panel (D) with the M6 x 35 bolts (BB).

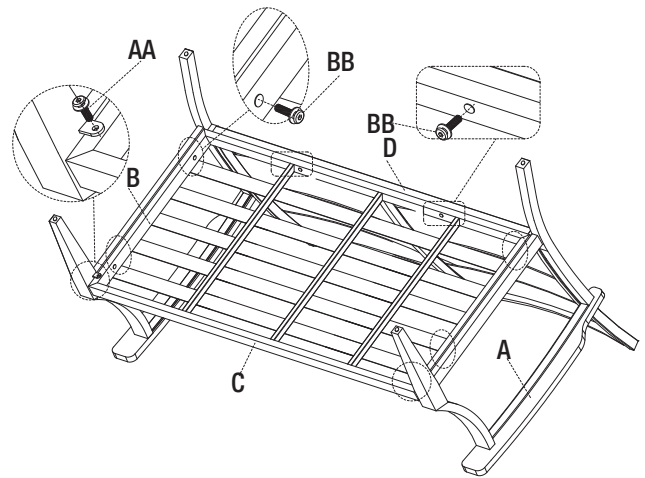


NOTE: Please ensure all bolts are aligned and assembled correctly. Do not tighten bolts until the frame assembly is complete.



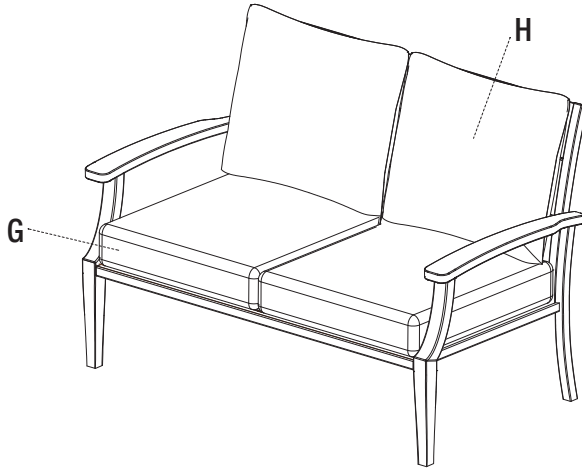
2 Attaching the seat panel

- Attach the seat panel (C) to the arms (A and B) and back panel (D) with the M6 x 20 bolts (AA) and M6 x 35 bolts (BB).
- Tighten all the bolts with the Allen wrench (CC).



3 Adding the cushions

- Turn the loveseat right side up.
- Place the seat cushion (G) and back cushion (H) on the loveseat. The loveseat is now ready for use.



Care and Cleaning

- Do not allow water to build up in the frames. This will cause corrosion and possible freezing damage in cold climates.
- Use a mild soap and water for normal cleaning. Do not use janitorial or alcohol based cleaners. Some cleaners may be marked as natural, but some ingredients may cause discoloration or have an adverse reaction to your finish.
- Rinse with clean water and dry with a soft, absorbent cloth towel.
- Treat the frames with a liquid wax for maximum protection against UV rays and/or salty, damp air.

HAMPTON BAY®

Questions, problems, missing parts? Before returning to the store,
call Hampton Bay Customer Service
8 a.m. – 7 p.m., EST, Monday – Friday, 9 a.m. – 6 p.m., EST, Saturday

1-855-HD-HAMPTON

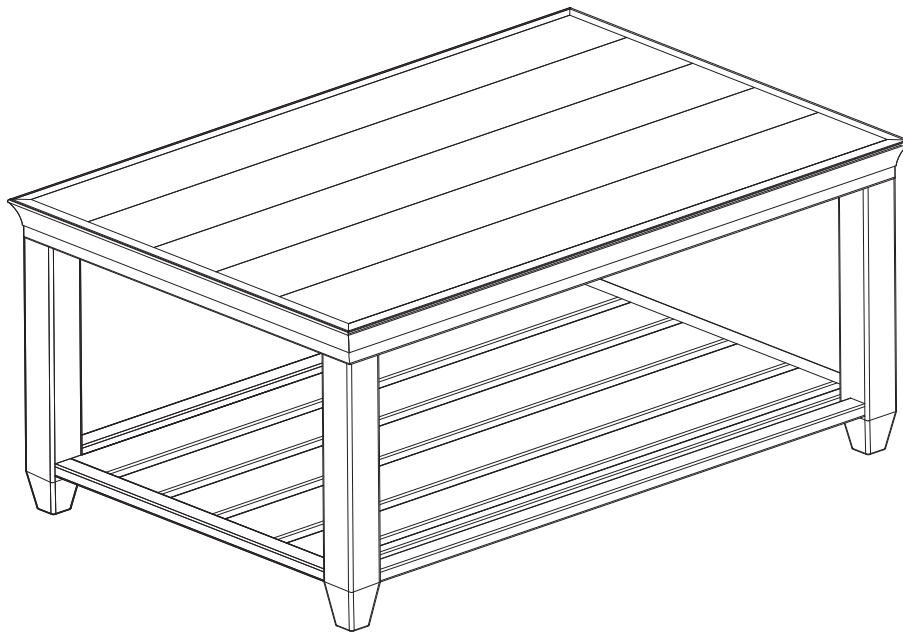
HAMPTONBAY.COM

Retain this manual for future use.

HAMPTON BAY®

USE AND CARE GUIDE

MARINA POINT 4PCS SEATING SET-COFFEE TABLE



Questions, problems, missing parts? Before returning to the store,
call Hampton Bay Customer Service
8 a.m. - 7 p.m., EST, Monday – Friday, 9 a.m. – 6 p.m., EST, Saturday

1-855-HD-HAMPTON

HAMPTONBAY.COM

THANK YOU

We appreciate the trust and confidence you have placed in Hampton Bay through the purchase of this coffee table. We strive to continually create quality products designed to enhance your home. Visit us online to see our full line of products available for your home improvement needs. Thank you for choosing Hampton Bay!

Table of Contents

Table of Contents	2	Pre-Assembly	3
Important Safety Instructions	2	Planning Assembly	3
Warranty	2	Hardware Included	3
What is Covered	2	Package Contents	3
What is not Covered	2	Assembly	4
		Care and Cleaning	5

Important Safety Instructions

SAVE THESE INSTRUCTIONS

READ ALL INSTRUCTIONS BEFORE USE

To reduce the risk of injury to persons:

1. Close supervision is necessary when this furnishing is used by or near children, or disabled persons, if applicable.
2. Use this furnishing only for its intended use as described in these instructions. Do not use attachments not recommended by the manufacturer.
3. The table is not intended to support an umbrella alone. Always use an umbrella with a suitable base.

Warranty

THIS IS A RESIDENTIAL WARRANTY ONLY AND DOES NOT APPLY TO COMMERCIAL USE

3 YEAR FRAME LIMITED WARRANTY

WHAT IS COVERED

We warrant the frame to be free of manufacturing defects to the original purchaser for three years.

WHAT IS NOT COVERED

It remains the customer's responsibility for freight and packaging charges to and from our service center. This warranty does not cover commercial use, hardware, acts of nature, fire, freezing, and abusive use. In addition, purchased parts are not covered under this warranty. We reserve the right to make substitutions with similar merchandise, if the model in question is no longer in production.

For a copy of our full limited warranty, please contact our customer service team at 1-855-HD-HAMPTON or visit www.hamptonbay.com.

Pre-Assembly

PLANNING ASSEMBLY

Please read this entire instruction manual prior to assembly.

Verify all parts packed in the carton against the parts list. Remove all protective materials and place the parts on a non-abrasive surface to avoid scratching.



NOTE: More than one person may be required to complete the assembly of this product.

HARDWARE INCLUDED

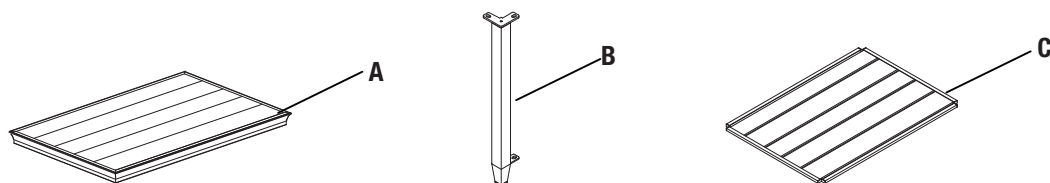


NOTE: Hardware not shown to actual size.



Part	Description	Quantity
AA	M6 x 15 mm combination bolt	12
BB	M6 Allen wrench	1

PACKAGE CONTENTS



Part	Description	Quantity
A	Table top	1
B	Table leg	4
C	Table shelf	1

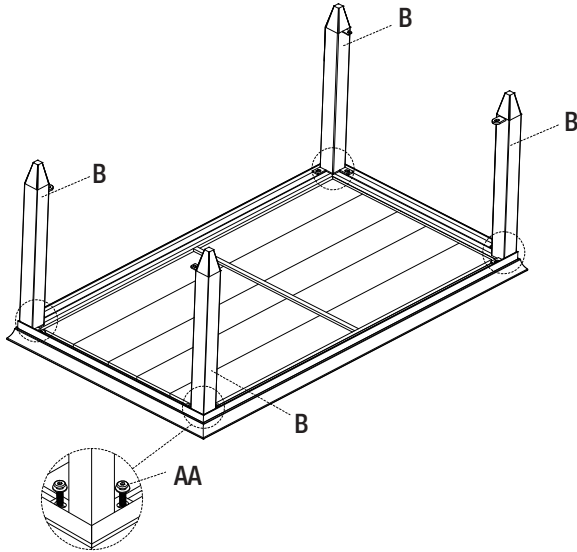
Assembly

1 Attaching the table legs

- Place the table top (A) on a soft, flat non-abrasive surface.
- Attach the table legs (B) to the table top (A) with the M6 x 20 bolts (AA).

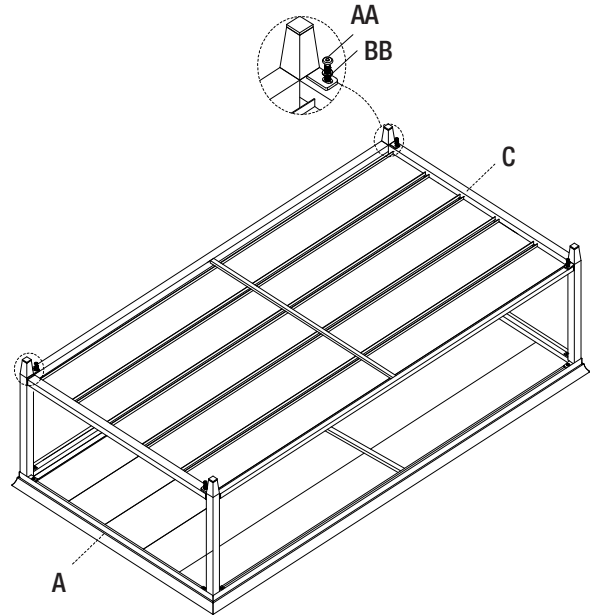


NOTE: Loosely tighten all the bolts using the Allen wrench (BB).



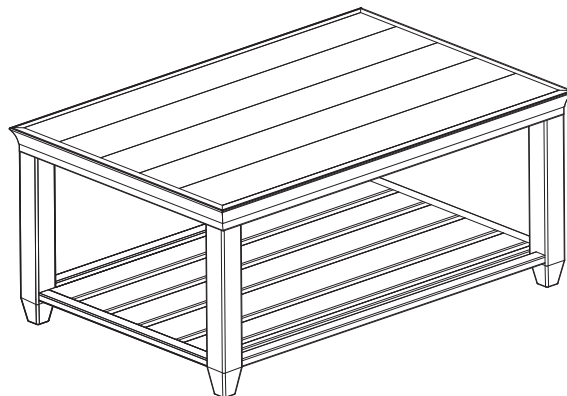
2 Attaching the shelf to the table legs

- Attach the shelf (C) to the four table legs (BB) by using the M6 x 20 bolts (AA).
- Once all of the bolts are in place, fully tighten all the bolts using the Allen wrench (BB).



3 Positioning the table

- Turn the table over and now the table is ready for use.



Care and Cleaning

- Do not allow water to build up in the frames. This will cause corrosion and possible freezing damage in cold climates.
- Use a mild soap and water for normal cleaning. Do not use janitorial or alcohol based cleaners. Some cleaners may be marked as natural, but some ingredients may cause discoloration or have an adverse reaction to your finish.
- Rinse with clean water and dry with a soft, absorbent cloth towel.
- Treat the frames with a liquid wax for maximum protection against UV rays and/or salty, damp air.

HAMPTON BAY[®]

Questions, problems, missing parts? Before returning to the store,
call Hampton Bay Customer Service
8 a.m. – 7 p.m., EST, Monday – Friday, 9 a.m. – 6 p.m., EST, Saturday

1-855-HD-HAMPTON

HAMPTONBAY.COM

Retain this manual for future use.