

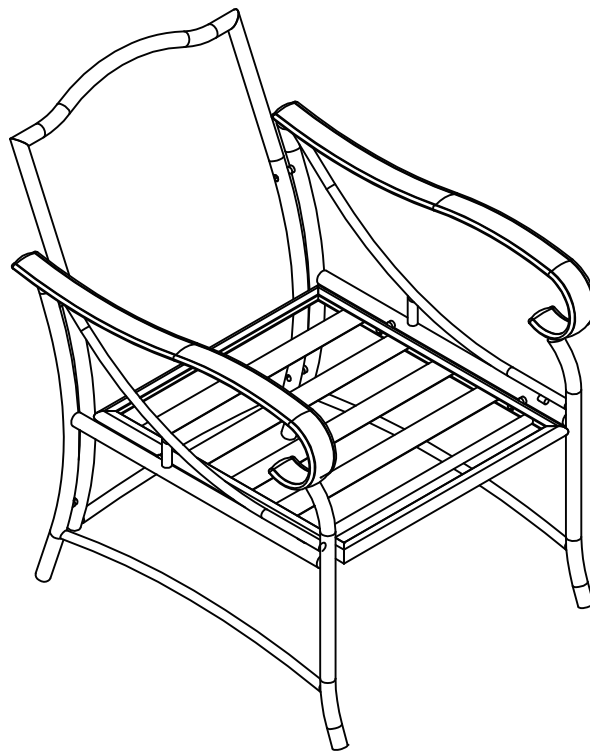


Item #1001 188 505  
Model #GC-8742A-SRP

## USE AND CARE GUIDE

---

### JAMES CREEK LOUNGE CHAIR



Questions, problems, missing parts? Before returning to the store,  
call Hampton Bay Customer Service  
8 a.m. - 7 p.m., EST, Monday – Friday, 9 a.m. – 6 p.m., EST, Saturday

**1-855-HD-HAMPTON**

**HAMPTONBAY.CA**

---

#### **THANK YOU**

*We appreciate the trust and confidence you have placed in Hampton Bay through the purchase of this lounge chair. We strive to continually create quality products designed to enhance your home. Visit us online to see our full line of products available for your home improvement needs. Thank you for choosing Hampton Bay!*

# Table of Contents

Table of Contents .....	2	Pre-Assembly.....	3
Important Safety Instructions.....	2	Planning Assembly .....	3
Warranty .....	2	Hardware Included .....	3
What is covered .....	2	Package Contents .....	3
What is not covered .....	2	Assembly .....	4
		Care and Cleaning .....	5

# Important Safety Instructions

## SAVE THESE INSTRUCTIONS

## READ ALL INSTRUCTIONS BEFORE USE

To reduce the risk of injury to persons:

1. Close supervision is necessary when this furnishing is used by or near children, or disabled persons, if applicable.
2. Use this furnishing only for its intended use as described in these instructions. Do not use attachments not recommended by the manufacturer.

# Warranty

## THIS IS A RESIDENTIAL WARRANTY ONLY AND THIS WARRANTY DOES NOT APPLY TO COMMERCIAL USE

## 2 YEAR FRAME AND FABRIC LIMITED WARRANTY

### WHAT IS COVERED

We warrant the frame to be free of manufacturing defects to the original purchaser for five years.

### WHAT IS NOT COVERED

It remains the customer's responsibility for freight and packaging charges to and from our service center. This warranty does not cover commercial use, hardware, acts of nature, fire, freezing, and abusive use. In addition, purchased parts are not covered under this warranty. We reserve the right to make substitutions with similar merchandise, if the model in question is no longer in production.

For a copy of our full limited warranty, please contact our customer service team below.

Contact the Customer Service Team at 1-855-HD-HAMPTON or visit [www.hamptonbay.ca](http://www.hamptonbay.ca).

# Pre-Assembly

## PLANNING ASSEMBLY

Please read this entire instruction manual prior to assembly.

Identify all parts packed in the carton against the parts list. Remove all protective materials and place the parts on a non-abrasive surface to avoid scratching.

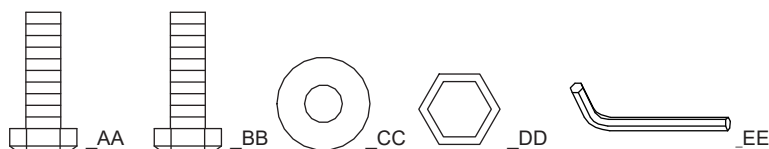


**NOTE:** More than one person may be required to complete the assembly of this product.

## HARDWARE INCLUDED

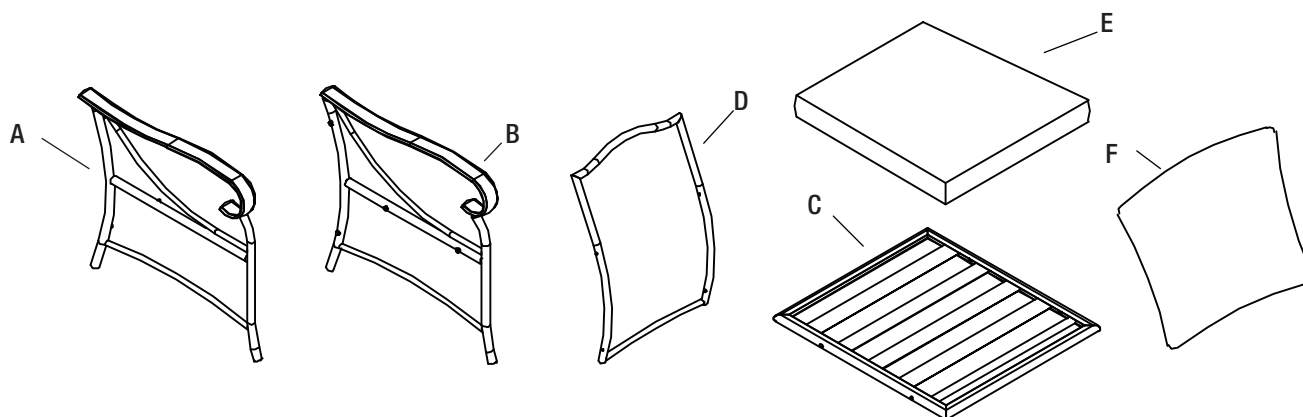


**NOTE:** Hardware not shown to actual size.



Part	Description	Quantity
AA	M6*45 mm Hex bolt	4
BB	M6*40 mm Hex bolt	4
CC	M6 Washer	8
DD	M6 Hex bolt cap	8
EE	M6 Hex Wrench	1

## PACKAGE CONTENTS



Part	Description	Quantity
A	Left arm panel	1
B	Right arm panel	1
C	Seat panel	1
D	Chair back	1
E	Seat cushion	1
F	Back cushion	1

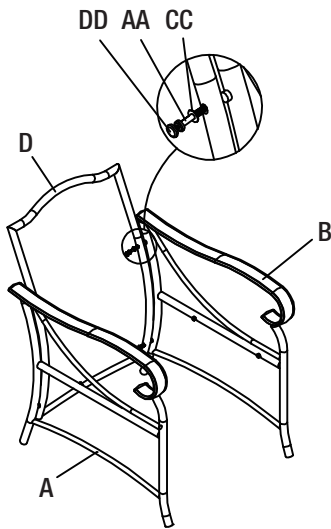
# Assembly

## 1 Attaching the arm panel

- With the assistance of another person, insert the chair back (D) into the left arm panel (A) and right arm panel (B) and secure together using M6x45 hex bolts (AA) and M6 washers (CC).
- Tighten all M6x45 Hex bolts (AA) with the M6 wrench (EE).
- Cover the bolt heads with caps (DD).

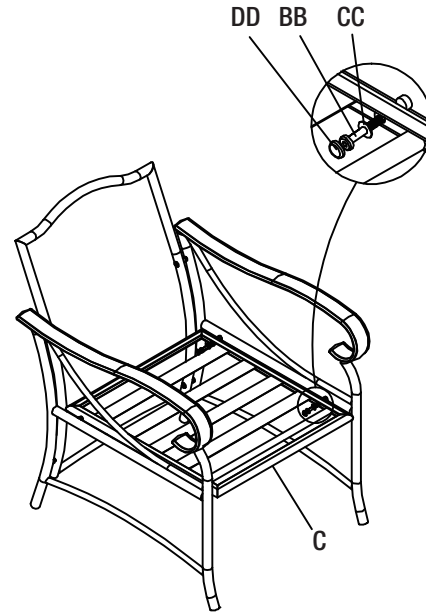


**NOTE:** Please ensure all M6 bolts are aligned and assembled correctly. Fully tighten the bolts.



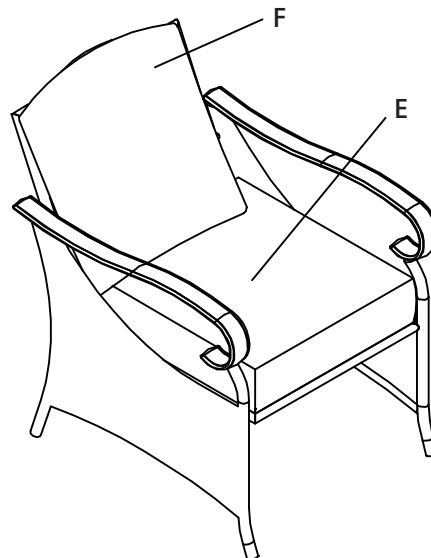
## 2 Attaching the seat panel and back panel

- Attach the seat panel (C) to chair frame and chair back (D) using M6x40 hex bolts (BB) and M6X40 washers (CC).
- Tighten all M6x40 Hex bolts (BB) with the M6 wrench (EE).
- Cover the bolt heads with caps (DD).



## 3 Adding the cushions

- Place the seat cushion (E) and back cushion (F) on the lounge chair.
- The chair is now ready for use.



## Care and Cleaning

---

- Do not allow water to build up in the frames. This will cause corrosion and possible freezing damage in cold climates.
- Use a mild soap and water for normal cleaning. Do not use janitorial or alcohol based cleaners. Some cleaners may be marked as natural, but some ingredients may cause discoloration or have an adverse reaction to your finish.
- Rinse with clean water and dry with a soft, absorbent cloth towel.
- Treat the frames with a liquid wax for maximum protection against UV rays and/or salty, damp air.



Questions, problems, missing parts? Before returning to the store,  
call Hampton Bay Customer Service  
8 a.m. – 7 p.m., EST, Monday – Friday, 9 a.m. – 6 p.m., EST, Saturday

**1-855-HD-HAMPTON**

**HAMPTONBAY.CA**

Retain this manual for future use.

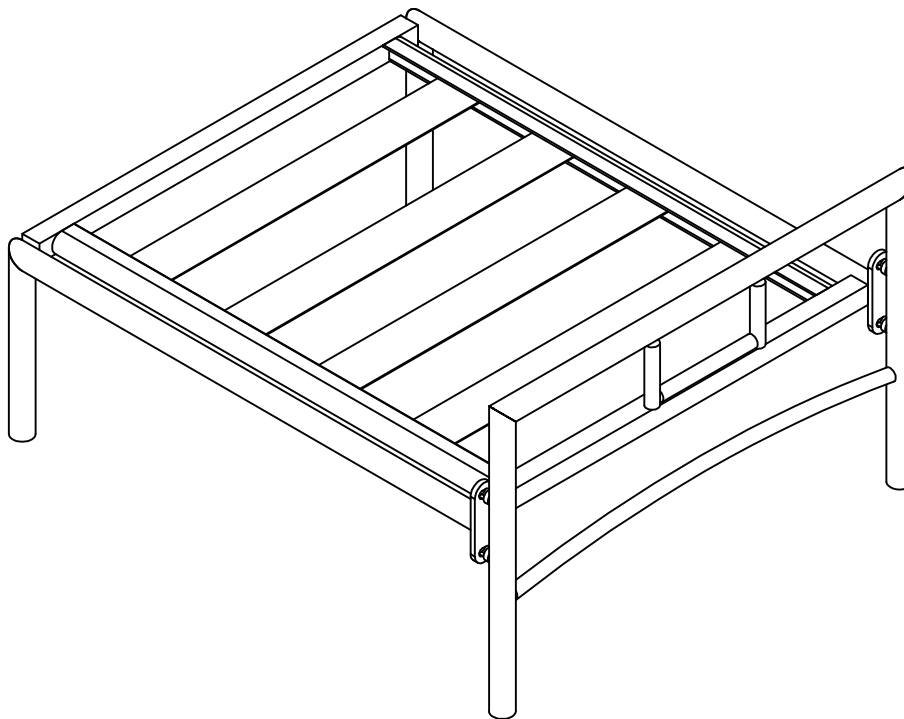


Item #1001 188 505  
Model #GF-1345A-SRP

## USE AND CARE GUIDE

---

### JAMES CREEK OTTOMAN



Questions, problems, missing parts? Before returning to the store,  
call Hampton Bay Customer Service  
8 a.m. - 7 p.m., EST, Monday – Friday, 9 a.m. – 6 p.m., EST, Saturday

**1-855-HD-HAMPTON**

**HAMPTONBAY.CA**

---

#### **THANK YOU**

*We appreciate the trust and confidence you have placed in Hampton Bay through the purchase of this ottoman . We strive to continually create quality products designed to enhance your home. Visit us online to see our full line of products available for your home improvement needs. Thank you for choosing Hampton Bay!*

# Table of Contents

Table of Contents .....	2	Pre-Assembly. ....	3
Important Safety Instructions .....	2	Planning Assembly .....	3
Warranty .....	2	Hardware Included .....	3
What is covered .....	2	Package Contents .....	3
What is not covered .....	2	Assembly. ....	4
		Care and Cleaning .....	5

# Important Safety Instructions

## SAVE THESE INSTRUCTIONS

## READ ALL INSTRUCTIONS BEFORE USE

To reduce the risk of injury to persons:

1. Close supervision is necessary when this furnishing is used by or near children, or disabled persons, if applicable.
2. Use this furnishing only for its intended use as described in these instructions. Do not use attachments not recommended by the manufacturer.

# Warranty

## THIS IS A RESIDENTIAL WARRANTY ONLY AND THIS WARRANTY DOES NOT APPLY TO COMMERCIAL USE

## 2 YEAR FRAME AND FABRIC LIMITED WARRANTY

### WHAT IS COVERED

We warrant the frame to be free of manufacturing defects to the original purchaser for five years.

### WHAT IS NOT COVERED

It remains the customer's responsibility for freight and packaging charges to and from our service center. This warranty does not cover commercial use, hardware, acts of nature, fire, freezing, and abusive use. In addition, purchased parts are not covered under this warranty. We reserve the right to make substitutions with similar merchandise, if the model in question is no longer in production.

For a copy of our full limited warranty, please contact our customer service team below.

Contact the Customer Service Team at 1-855-HD-HAMPTON or visit [www.hamptonbay.ca](http://www.hamptonbay.ca).



# Pre-Assembly

## PLANNING ASSEMBLY

Please read this entire instruction manual prior to assembly.

Identify all parts packed in the carton against the parts list. Remove all protective materials and place the parts on a non-abrasive surface to avoid scratching.

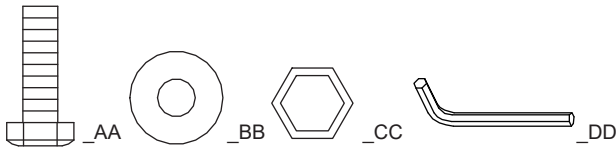


**NOTE:** More than one person may be required to complete the assembly of this product.

## HARDWARE INCLUDED

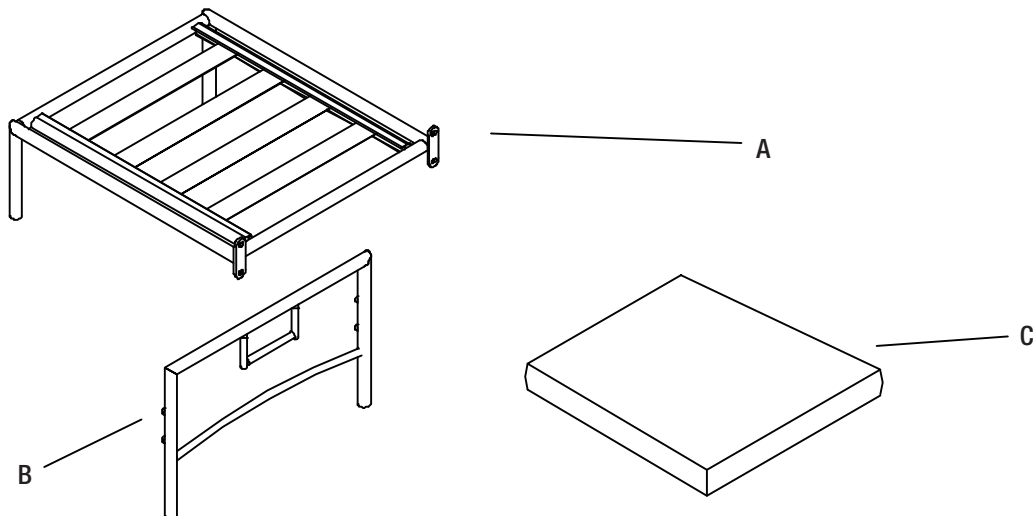


**NOTE:** Hardware not shown to actual size.



Part	Description	Quantity
AA	M6*25 mm Hex bolt	4
BB	M6 Washer	4
CC	M6 Hex bolt cap	4
DD	M6 Hex Wrench	1

## PACKAGE CONTENTS



Part	Description	Quantity
A	Seat panel	1
B	Side panel	1
C	Seat cushion	1

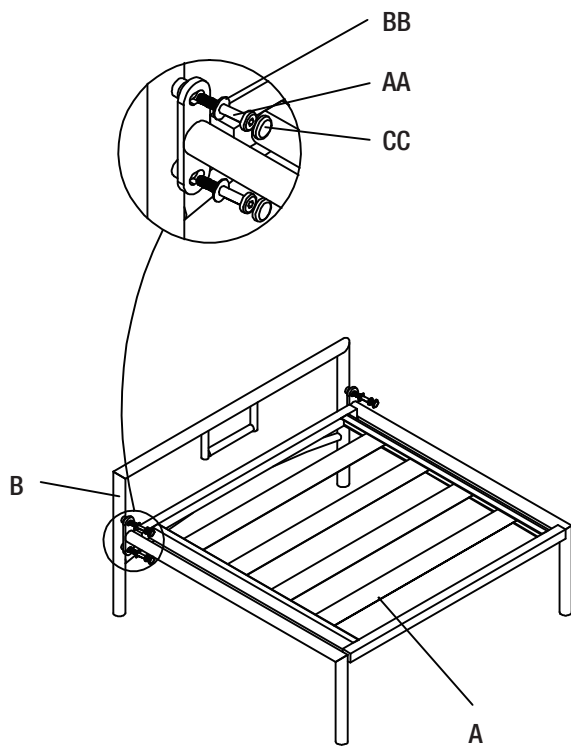
# Assembly

## 1 Attaching the panels

- Attach the seat panel (A) to the side panel (B) using the M6 hex bolts (AA) and washers (BB).
- Cover the bolt heads with caps (CC).

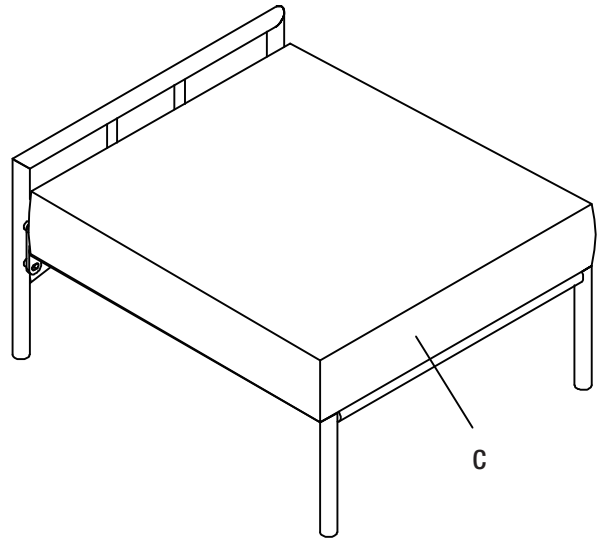


**NOTE:** Please ensure the bolts are assembled correctly and use the M6 wrench (DD) to tighten.



## 2 Adding the cushion

- Place the seat cushion (C) on the ottoman.



## Care and Cleaning

---

- Do not allow water to build up in the frames. This will cause corrosion and possible freezing damage in cold climates.
- Use a mild soap and water for normal cleaning. Do not use janitorial or alcohol based cleaners. Some cleaners may be marked as natural, but some ingredients may cause discoloration or have an adverse reaction to your finish.
- Rinse with clean water and dry with a soft, absorbent cloth towel.
- Treat the frames with a liquid wax for maximum protection against UV rays and/or salty, damp air.



Questions, problems, missing parts? Before returning to the store,  
call Hampton Bay Customer Service  
8 a.m. – 7 p.m., EST, Monday – Friday, 9 a.m. – 6 p.m., EST, Saturday

**1-855-HD-HAMPTON**

**HAMPTONBAY.CA**

Retain this manual for future use.

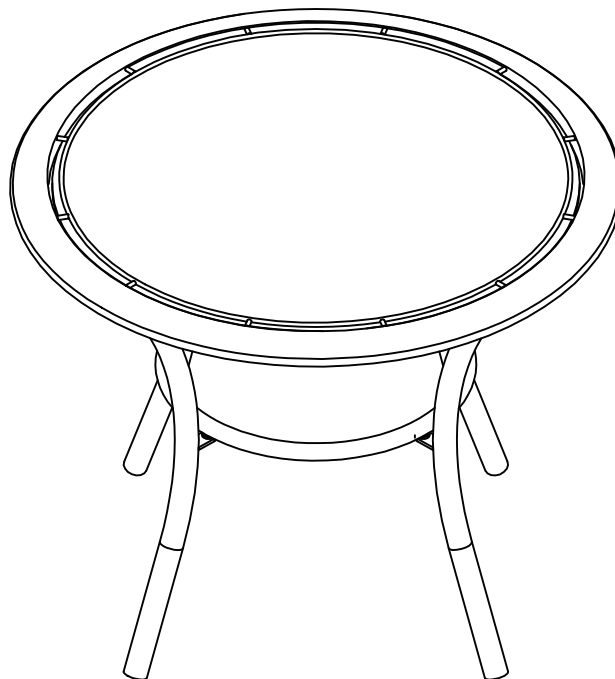


Item #1001 188 505  
Model #GT-6710-SRG

## USE AND CARE GUIDE

---

### JAMES CREEK SIDE TABLE



Questions, problems, missing parts? Before returning to the store,  
call Hampton Bay Customer Service  
8 a.m. - 7 p.m., EST, Monday – Friday, 9 a.m. – 6 p.m., EST, Saturday

**1-855-HD-HAMPTON**

**HAMPTONBAY.CA**

---

#### **THANK YOU**

*We appreciate the trust and confidence you have placed in Hampton Bay through the purchase of this side table. We strive to continually create quality products designed to enhance your home. Visit us online to see our full line of products available for your home improvement needs. Thank you for choosing Hampton Bay!*

# Table of Contents

Table of Contents .....	2	Pre-Assembly .....	3
Important Safety Instructions .....	2	Planning Assembly .....	3
Warranty .....	2	Hardware Included .....	3
What is covered .....	2	Package Contents .....	3
What is not covered .....	2	Assembly .....	4
		Care and Cleaning .....	5

# Important Safety Instructions

## SAVE THESE INSTRUCTIONS

## READ ALL INSTRUCTIONS BEFORE USE

To reduce the risk of injury to persons:

1. Close supervision is necessary when this furnishing is used by or near children, or disabled persons, if applicable.
2. Use this furnishing only for its intended use as described in these instructions. Do not use attachments not recommended by the manufacturer.

# Warranty

## THIS IS A RESIDENTIAL WARRANTY ONLY AND THIS WARRANTY DOES NOT APPLY TO COMMERCIAL USE

## 2 YEAR FRAME AND FABRIC LIMITED WARRANTY

### WHAT IS COVERED

We warrant the frame to be free of manufacturing defects to the original purchaser for five years.

### WHAT IS NOT COVERED

It remains the customer's responsibility for freight and packaging charges to and from our service center. This warranty does not cover commercial use, hardware, acts of nature, fire, freezing, and abusive use. In addition, purchased parts are not covered under this warranty. We reserve the right to make substitutions with similar merchandise, if the model in question is no longer in production.

For a copy of our full limited warranty, please contact our customer service team below.

Contact the Customer Service Team at 1-855-HD-HAMPTON or visit [www.hamptonbay.ca](http://www.hamptonbay.ca).

# Pre-Assembly

## PLANNING ASSEMBLY

Please read this entire instruction manual prior to assembly.

Identify all parts packed in the carton against the parts list. Remove all protective materials and place the parts on a non-abrasive surface to avoid scratching.

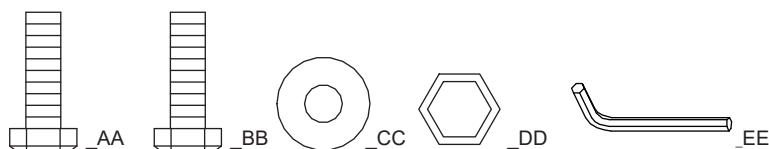


**NOTE:** More than one person may be required to complete the assembly of this product.

## HARDWARE INCLUDED

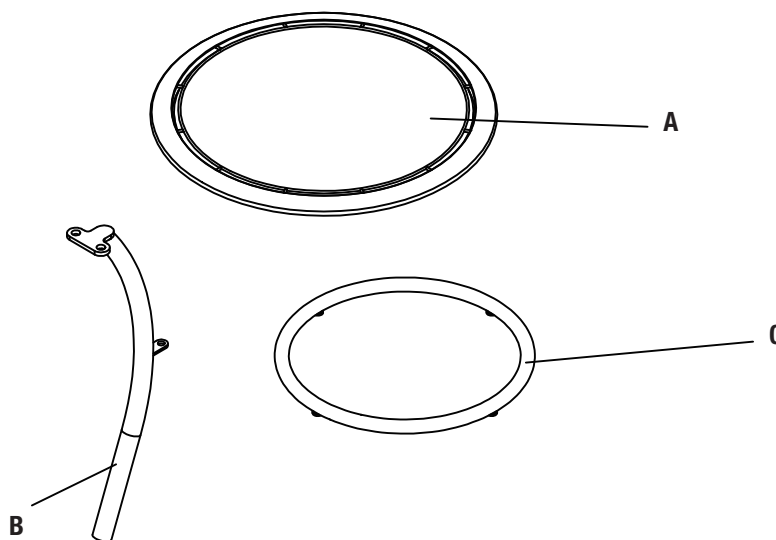


**NOTE:** Hardware not shown to actual size.



Part	Description	Quantity
AA	M6*20 mm Hex bolt	8
BB	M6*15 mm Hex bolt	4
CC	M6 Washer	12
DD	M6 Hex bolt cap	12
EE	M6 Hex Wrench	1

## PACKAGE CONTENTS



Part	Description	Quantity
A	Table top	1
B	Table leg	4
C	Leg connector	1

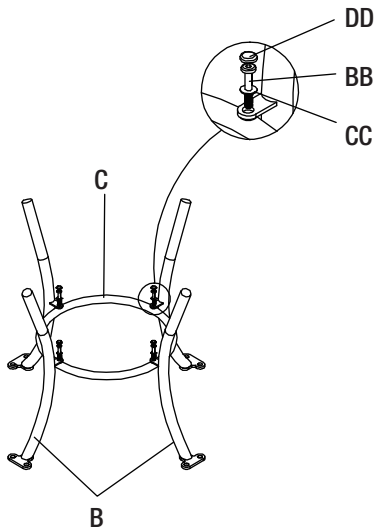
# Assembly

## 1 Attaching the table legs



**NOTE:** Please ensure the bolts are assembled correctly and use the M6 wrench (EE) to tighten.

- Attach the four legs (B) to the leg connector (C) using the M6x15 hex bolts (BB) and washers (CC).
- Cover the bolt heads with caps (DD).

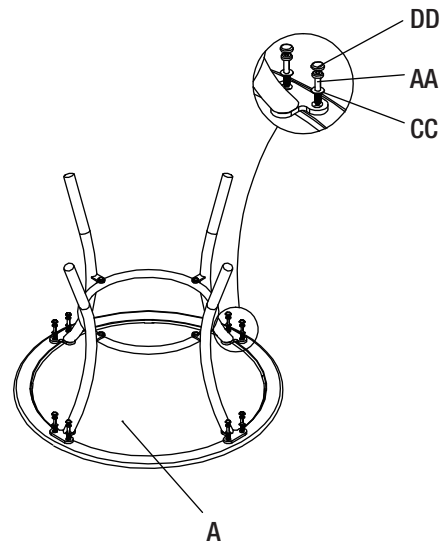


## 2 Attaching the table top

- Place the table top (A) on a soft, flat non-abrasive surface.
- Attach the table legs (B) to the table top (A) with the M6x20 hex bolts (AA) and washers (CC). Tighten all bolts and cover the heads with caps (DD).

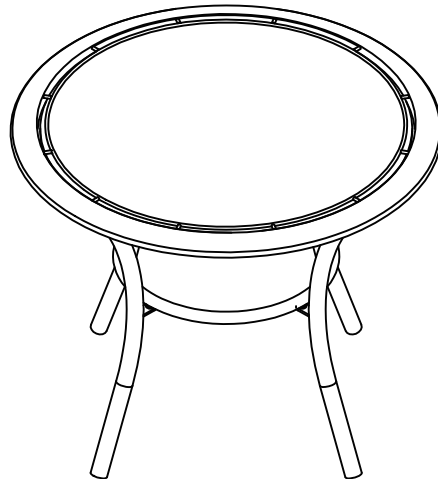


**NOTE:** Please ensure the bolts are assembled correctly and use the M6 wrench (EE) to tighten.



## 3 Positioning the table

- Turn the table over and set it down on its legs.
- The table is now ready for use.





## Care and Cleaning

---

- Do not allow water to build up in the frames. This will cause corrosion and possible freezing damage in cold climates.
- Use a mild soap and water for normal cleaning. Do not use janitorial or alcohol based cleaners. Some cleaners may be marked as natural, but some ingredients may cause discoloration or have an adverse reaction to your finish.
- Rinse with clean water and dry with a soft, absorbent cloth towel.
- Treat the frames with a liquid wax for maximum protection against UV rays and/or salty, damp air.



Questions, problems, missing parts? Before returning to the store,  
call Hampton Bay Customer Service  
8 a.m. – 7 p.m., EST, Monday – Friday, 9 a.m. – 6 p.m., EST, Saturday

**1-855-HD-HAMPTON**

**HAMPTONBAY.CA**

Retain this manual for future use.