

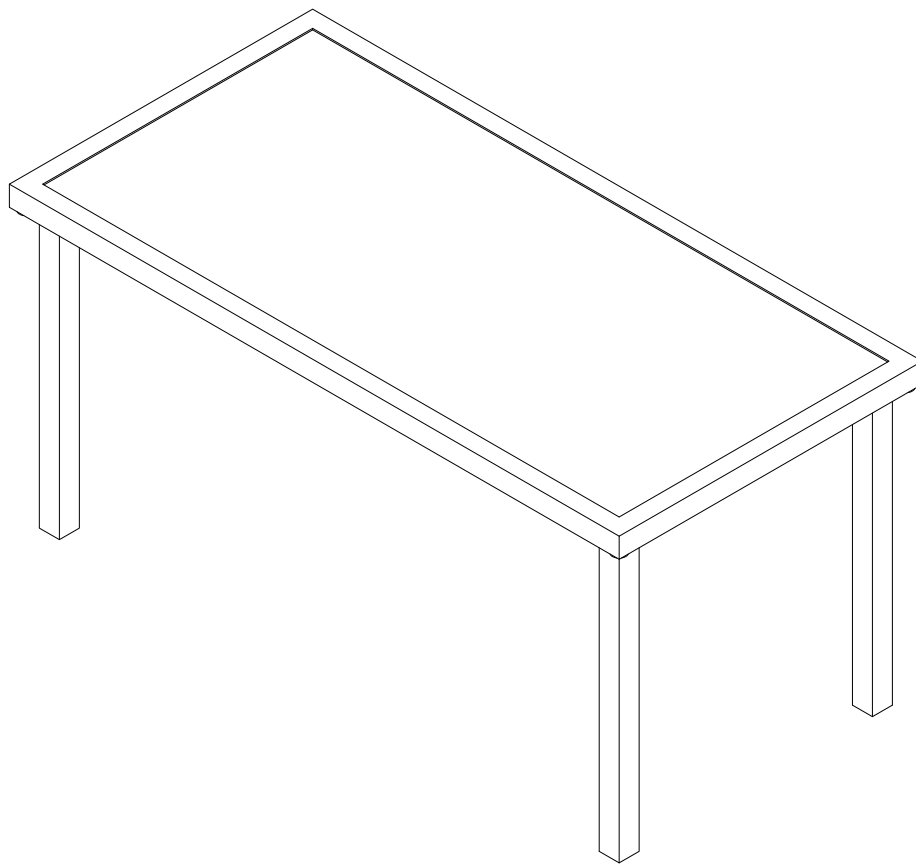


Model #GT-6894-SSG

## USE AND CARE GUIDE

---

### PARK LANE 6PC WOVEN SEATING COFFEE TABLE



Questions, problems, missing parts? Before returning to the store,  
call Hampton Bay Customer Service  
8 a.m. - 7 p.m., EST, Monday – Friday, 9 a.m. – 6 p.m., EST, Saturday

**1-855-HD-HAMPTON**

**HAMPTONBAY.COM**

---

#### **THANK YOU**

*We appreciate the trust and confidence you have placed in Hampton Bay through the purchase of this coffee table. We strive to continually create quality products designed to enhance your home. Visit us online to see our full line of products available for your home improvement needs. Thank you for choosing Hampton Bay!*

# Table of Contents

Table of Contents . . . . .	2	Pre-Assembly . . . . .	3
Important Safety Instructions . . . . .	2	Planning Assembly . . . . .	3
Warranty . . . . .	2	Hardware Included . . . . .	3
What is covered . . . . .	2	Package Contents . . . . .	3
What is not covered . . . . .	2	Assembly . . . . .	4
		Care and Cleaning . . . . .	5

# Important Safety Instructions

## SAVE THESE INSTRUCTIONS

## READ ALL INSTRUCTIONS BEFORE USE

To reduce the risk of injury to persons:

1. Close supervision is necessary when this furnishing is used by or near children, or disabled persons, if applicable.
2. Use this furnishing only for its intended use as described in these instructions. Do not use attachments not recommended by the manufacturer.

# Warranty

## THIS IS A RESIDENTIAL WARRANTY ONLY AND THIS WARRANTY DOES NOT APPLY TO COMMERCIAL USE

## 2 YEAR FRAME AND FABRIC LIMITED WARRANTY

### WHAT IS COVERED

We warrant the frame to be free of manufacturing defects to the original purchaser for two years.

### WHAT IS NOT COVERED

It remains the customer's responsibility for freight and packaging charges to and from our service center. This warranty does not cover commercial use, hardware, acts of nature, fire, freezing, and abusive use. In addition, purchased parts are not covered under this warranty. We reserve the right to make substitutions with similar merchandise, if the model in question is no longer in production.

For a copy of our full limited warranty, please contact our customer service team below.

Contact the Customer Service Team at 1-855-HD-HAMPTON or visit [www.hamptonbay.com](http://www.hamptonbay.com).

# Pre-Assembly

## PLANNING ASSEMBLY

Please read this entire instruction manual prior to assembly.

Identify all parts packed in the carton against the parts list. Remove all protective materials and place the parts on a non-abrasive surface to avoid scratching.

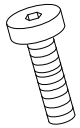


**NOTE:** More than one person may be required to complete the assembly of this product.

## HARDWARE INCLUDED



**NOTE:** Hardware not shown to actual size.



\_AA



\_BB



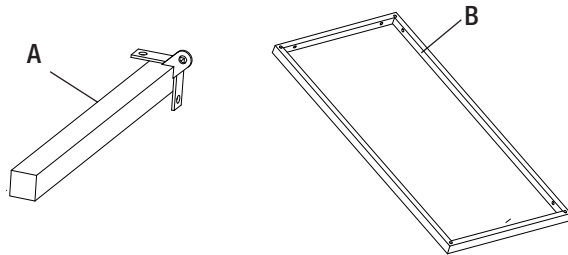
\_CC



\_DD

Part	Description	Quantity
AA	M6x20 mm bolt	12
BB	M6 spring washer	12
CC	M6 washer	12
DD	M6 hex wrench	1

## PACKAGE CONTENTS

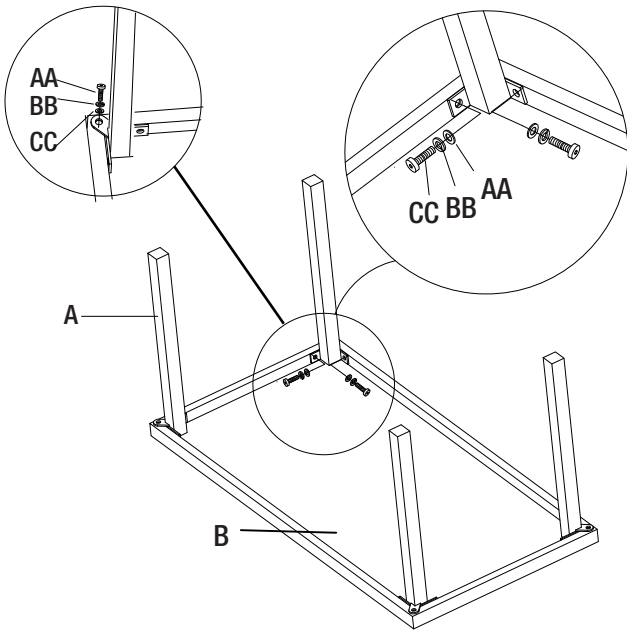


Part	Description	Quantity
A	Table leg	4
B	Table top	1

# Assembly

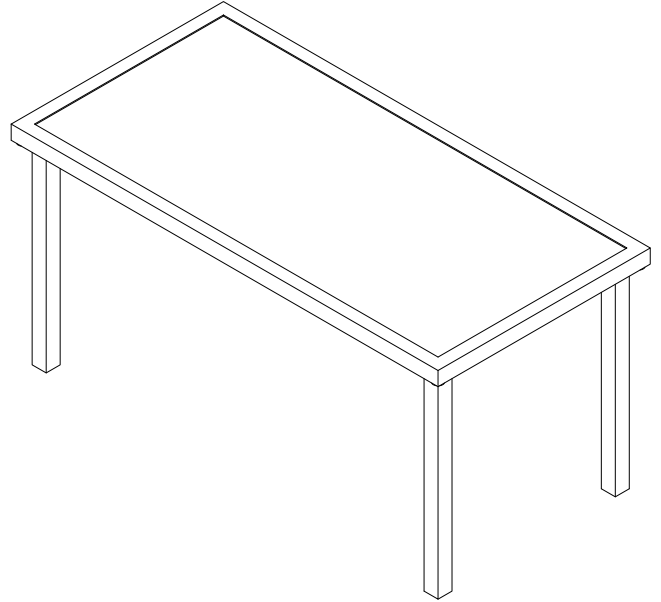
## 1 Attaching the table legs to the table top

- Attach the table legs (A) to table top (B) using M6x20 mm bolts (AA), M6 spring washers (BB) and M6 washers (CC).
- Tighten all M6x20 mm bolts (AA) with the M6 hex wrench (DD).



## 2 Positioning the table

- Turn the table over. The table is now ready for use.



## Care and Cleaning

---

- Do not allow water to build up in the frames. This will cause corrosion and possible freezing damage in cold climates.
- Use a mild soap and water for normal cleaning. Do not use janitorial or alcohol based cleaners. Some cleaners may be marked as natural, but some ingredients may cause discoloration or have an adverse reaction to your finish.
- Rinse with clean water and dry with a soft, absorbent cloth towel.
- Treat the frames with a liquid wax for maximum protection against UV rays and/or salty, damp air.



Questions, problems, missing parts? Before returning to the store,  
call Hampton Bay Customer Service  
8 a.m. – 7 p.m., EST, Monday – Friday, 9 a.m. – 6 p.m., EST, Saturday

**1-855-HD-HAMPTON**

**HAMPTONBAY.COM**

Retain this manual for future use.