

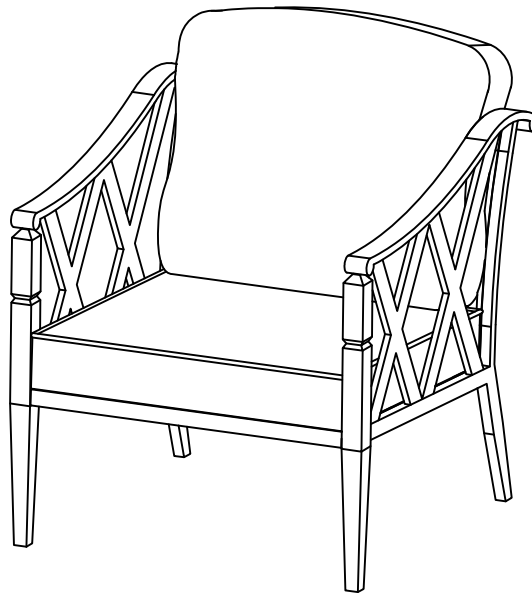
Item#

Model# GC-51050A - SSP

HAMPTON BAY®

USE AND CARE GUIDE

HARMONY HILL 3PC STATIONARY CHAT SET- LOUNGE CHAIR



Questions, problems, missing parts? Before returning to the store,
call Hampton Bay Customer Service
8 a.m. - 7 p.m., EST, Monday – Friday, 9 a.m. – 6 p.m., EST, Saturday

1-855-HD-HAMPTON

HAMPTONBAY.COM

THANK YOU

We appreciate the trust and confidence you have placed in Hampton Bay through the purchase of this chair. We strive to continually create quality products designed to enhance your home. Visit us online to see our full line of products available for your home improvement needs. Thank you for choosing Hampton Bay!

Table of Contents

Table of Contents	2	Pre-Assembly.....	3
Important Safety Instructions.....	2	Planning Assembly	3
Warranty	2	Hardware Included	3
What is Covered	2	Package Contents	3
What is not Covered	2	Assembly	4
		Care and Cleaning	5

Important Safety Instructions

SAVE THESE INSTRUCTIONS

READ ALL INSTRUCTIONS BEFORE USE

To reduce the risk of injury to persons:

1. Close supervision is necessary when this furnishing is used by or near children, or disabled persons, if applicable.
2. Use this furnishing only for its intended use as described in these instructions. Do not use attachments not recommended by the manufacturer.

Warranty

THIS IS A RESIDENTIAL WARRANTY ONLY AND DOES NOT APPLY TO COMMERCIAL USE

3YEAR FRAME AND FABRIC LIMITED WARRANTY

WHAT IS COVERED

We warrant the frame and the fabric to be free of manufacturing defects to the original purchaser for three years.

WHAT IS NOT COVERED

It remains the customer's responsibility for freight and packaging charges to and from our service center. This warranty does not cover commercial use, hardware, acts of nature, fire, freezing, and abusive use. In addition, purchased parts are not covered under this warranty. We reserve the right to make substitutions with similar merchandise, if the model in question is no longer in production.

For a copy of our full limited warranty, please contact our customer service team at 1-855-HD-HAMPTON or visit www.hamptonbay.com.

Pre-Assembly

PLANNING ASSEMBLY

Please read this entire instruction manual prior to assembly.

Verify all parts packed in the carton against the parts list. Remove all protective materials and place the parts on a non-abrasive surface to avoid scratching.



NOTE: More than one person may be required to complete the assembly of this product.

HARDWARE INCLUDED

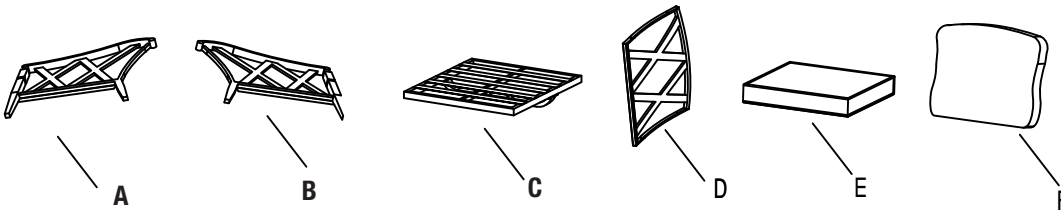


NOTE: Hardware not shown to actual size.



Part	Description	Quantity
AA	M6x35 combination bolt	4
BB	M6x25 combination bolt	4
CC	M6 Allen wrench	1

PACKAGE CONTENTS



Part	Description	Quantity
A	Right arm	1
B	Left arm	1
C	Seat panel	1
D	Back panel	1
E	Seat cushion	1
F	Back cushion	1

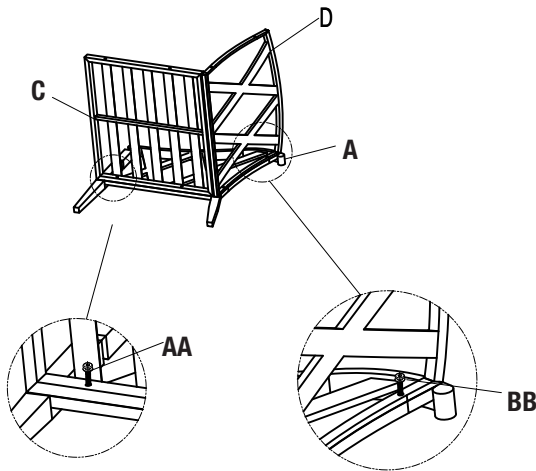
Assembly

1 Attaching the right arm and back panel to the seat panel

- Attach the right arm (A) and back panel (D) to the seat panel (C) with M6 x 35mm bolts (AA) and M6 x 25mm (BB) bolts using the M6 Allen wrench (CC).

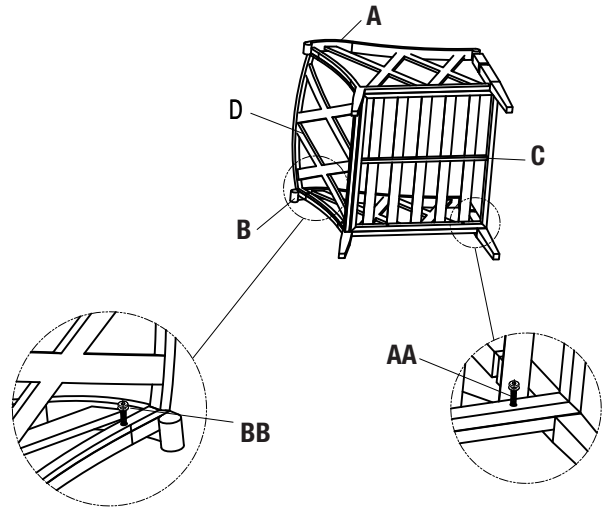


NOTE: Please ensure all bolts are aligned and assembled correctly. Do not tighten bolts until the frame assembly is complete.



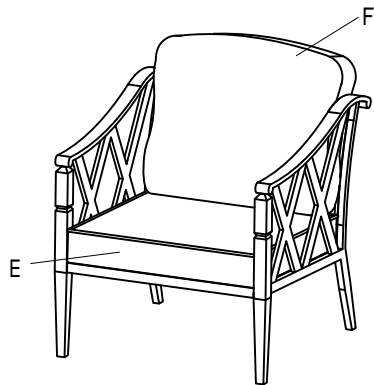
2 Attaching the left arm to the seat panel

- Attach the left arm (B) to the seat panel (C) and back panel (D) with M6 x 35mm (AA) bolts and M6 x 25mm (BB) bolts using the M6 Allen wrench (CC).
- Tighten all the bolts with the Allen wrench (CC).



3 Adding the cushions

- Place the seat cushion (E) and back cushion (F) on the lounge chair. The chair now is ready for use.



Care and Cleaning

- Do not allow water to build up in the frames. This will cause corrosion and possible freezing damage in cold climates.
- Use a mild soap and water for normal cleaning. Do not use janitorial or alcohol based cleaners. Some cleaners may be marked as natural, but some ingredients may cause discoloration or have an adverse reaction to your finish.
- Rinse with clean water and dry with a soft, absorbent cloth towel.
- Treat the frames with a liquid wax for maximum protection against UV rays and/or salty, damp air.

HAMPTON BAY®

Questions, problems, missing parts? Before returning to the store,
call Hampton Bay Customer Service
8 a.m. – 7 p.m., EST, Monday – Friday, 9 a.m. – 6 p.m., EST, Saturday

1-855-HD-HAMPTON

HAMPTONBAY.COM

Retain this manual for future use.

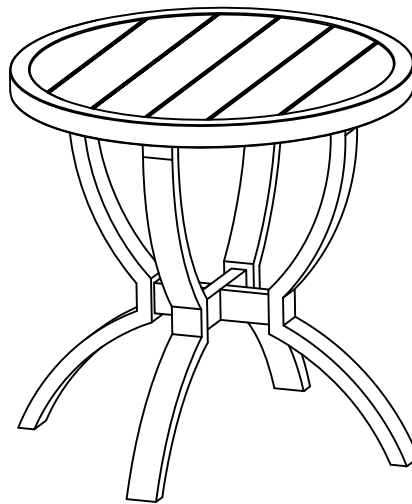
Item#

Model# GT-11239A-SSS

HAMPTON BAY®

USE AND CARE GUIDE

HARMONY HILL 3PC CHAT SET - SIDE TABLE



Questions, problems, missing parts? Before returning to the store,
call Hampton Bay Customer Service
8 a.m. - 7 p.m., EST, Monday – Friday, 9 a.m. – 6 p.m., EST, Saturday

1-855-HD-HAMPTON

HAMPTONBAY.COM

THANK YOU

We appreciate the trust and confidence you have placed in Hampton Bay through the purchase of this side table. We strive to continually create quality products designed to enhance your home. Visit us online to see our full line of products available for your home improvement needs. Thank you for choosing Hampton Bay!

Table of Contents

Table of Contents	2	Pre-Assembly	3
Important Safety Instructions	2	Planning Assembly	3
Warranty	2	Hardware Included	3
What is covered	2	Package Contents	3
What is not covered	2	Assembly	4
		Care and Cleaning	5

Important Safety Instructions

SAVE THESE INSTRUCTIONS

READ ALL INSTRUCTIONS BEFORE USE

To reduce the risk of injury to persons:

1. Close supervision is necessary when this furnishing is used by or near children, or disabled persons, if applicable.
2. Use this furnishing only for its intended use as described in these instructions. Do not use attachments not recommended by the manufacturer.

Warranty

THIS IS A RESIDENTIAL WARRANTY ONLY AND DOES NOT APPLY TO COMMERCIAL USE

3YEAR FRAME AND FABRIC LIMITED WARRANTY

WHAT IS COVERED

We warrant the frame to be free of manufacturing defects to the original purchaser for three years.

WHAT IS NOT COVERED

It remains the customer's responsibility for freight and packaging charges to and from our service center. This warranty does not cover commercial use, hardware, acts of nature, fire, freezing, and abusive use. In addition, purchased parts are not covered under this warranty. We reserve the right to make substitutions with similar merchandise, if the model in question is no longer in production.

For a copy of our full limited warranty, please contact our customer service team below.

Contact the Customer Service Team at 1-855-HD-HAMPTON or visit www.hamptonbay.com.

Pre-Assembly

PLANNING ASSEMBLY

Please read this entire instruction manual prior to assembly.

Identify all parts packed in the carton against the parts list. Remove all protective materials and place the parts on a non-abrasive surface to avoid scratching.



NOTE: More than one person may be required to complete the assembly of this product.

HARDWARE INCLUDED



NOTE: Hardware not shown to actual size.



_AA



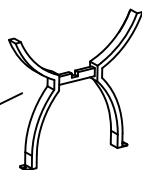
_BB

Part	Description	Quantity
AA	M6x15 combination bolt	4
BB	M6 Allen wrench	1

PACKAGE CONTENTS



A



B



C

Part	Description	Quantity
A	Table top	1
B	Table leg	1
C	Table leg	1

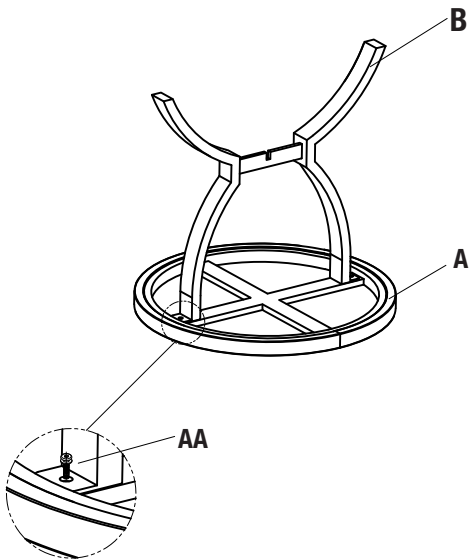
Assembly

1 Attaching the table leg

- Place the table top (A) on a soft, flat non-abrasive surface.
- Attach the table leg (B) to the table top (A) with the M6x15 mm bolts (AA).

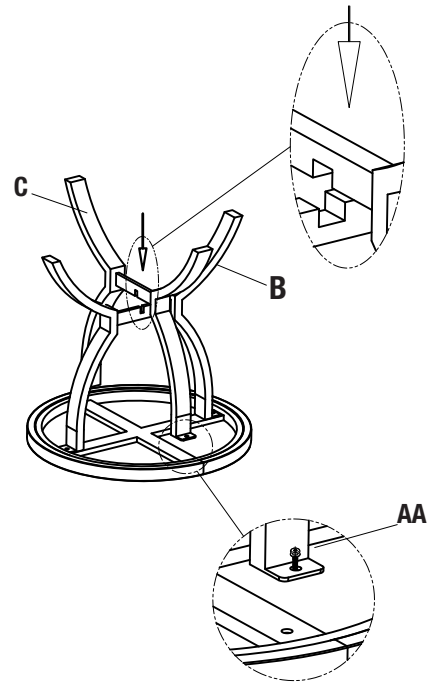


NOTE: Loosely tighten all the bolts using the Allen wrench (BB).



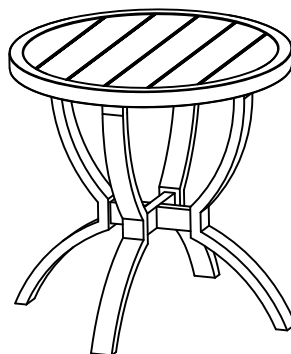
2 Attaching the second table leg

- Attach the second table leg (C) to the table top using the M6x15 mm bolts (AA).
- Once all of the bolts are in place, fully tighten all the bolts.



3 Positioning the table

- Turn the table over and set it down on its legs.
- The table is now ready for use.



Care and Cleaning

- Do not allow water to build up in the frames. This will cause corrosion and possible freezing damage in cold climates.
- Use a mild soap and water for normal cleaning. Do not use janitorial or alcohol based cleaners. Some cleaners may be marked as natural, but some ingredients may cause discoloration or have an adverse reaction to your finish.
- Rinse with clean water and dry with a soft, absorbent cloth towel.
- Treat the frames with a liquid wax for maximum protection against UV rays and/or salty, damp air.

HAMPTON BAY®

Questions, problems, missing parts? Before returning to the store,
call Hampton Bay Customer Service
8 a.m. – 7 p.m., EST, Monday – Friday, 9 a.m. – 6 p.m., EST, Saturday

1-855-HD-HAMPTON

HAMPTONBAY.COM

Retain this manual for future use.