

GEORGE & WILLY®

SIGN SUPPLY CO.

CEILING HANGING DRYING RACK

Quite popular in alpine huts, a traditional system used by climbers to dry their damp clothing overnight.

It made sense to bring this idea into the home - eliminating any worry of wet washing on the line, shrinking in the dryer or cluttering your floor space.

Suspended using a pulley system that utilizes the warm air trapped in the ceiling, The Hanging Drying Rack is a fun and functional solution for drying your laundry.

Enjoy
George & Willy

CARE GUIDE

Where you install your product depends on its material/s.

Wooden and Steel Products: We recommend using these products inside or under a shelter where they are protected from any exposure to rain or water.

Aluminum Products: These products are non-corrosive and suitable for use outside.

Chalk Products: You should use traditional dry chalk. We don't recommend using liquid chalk pens on our products.

Transportable Outdoor Signage: If there is exposure to wind, we recommend bringing signage inside to protect it from the extremes. We offer Sandbags to help support your product in moderate wind conditions.

COMPONENTS

 2 x Side Bar

 12 x Dowel

 2 x Rope

 1 x Cleat

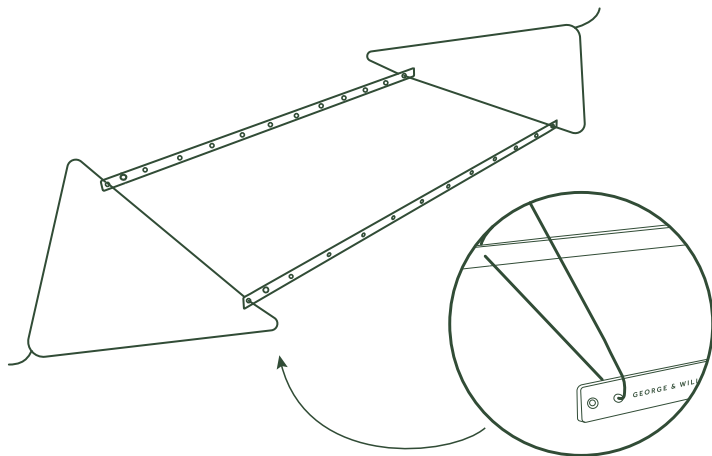
 3 x Pulley

 14 x Large Ceiling Screws

 18 x Small Dowel Screws

 1 x Allen Key

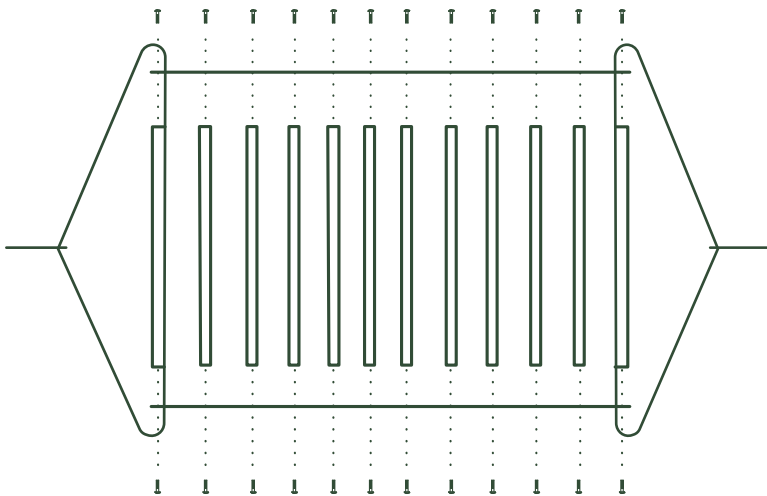
1



Please ensure that the logo is facing outwards when positioning the frame for assembly.

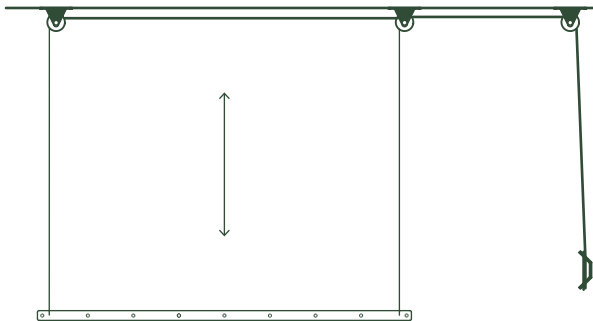
Please use a qualified professional to ensure safe assembly and installation of this product. Before you start assembly please lay your Hanging Drying Rack out on the floor like above, ensuring that the rope is not twisted and in the correct position before installing the dowels.

2



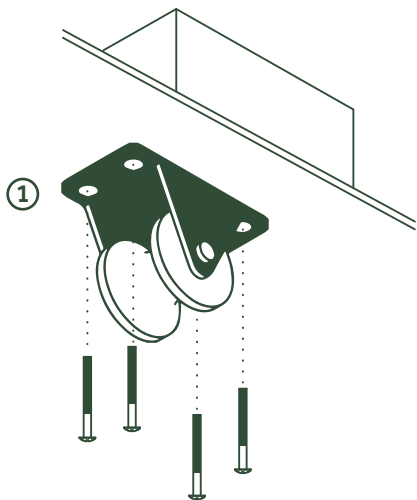
Once you are happy your Hanging Drying Rack is in the correct position place the dowels in the middle evenly so they match up to the correct holes on the outside brackets, using the Allen key to tighten the smaller screws.

3



Select a suitable location to install the Hanging Drying Rack. Ensure the chosen space allows enough room for the rack to be raised and lowered easily.

4



Screw Pulley ① into the ceiling. Make sure the pulley is secured to a beam.

5



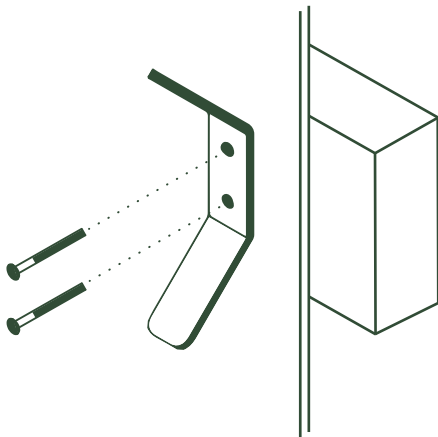
Install pulley ② 1085mm back from pulley ①. Ensure they are perfectly aligned.

6



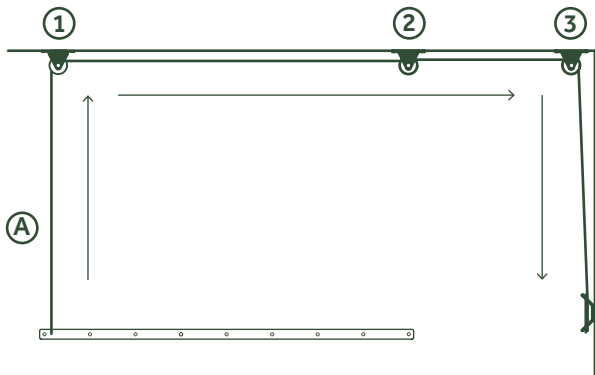
Install Pulley ③ further back from pulley ②, close to the Corner of the ceiling and wall. Ensure all three pulleys are perfectly aligned.

7



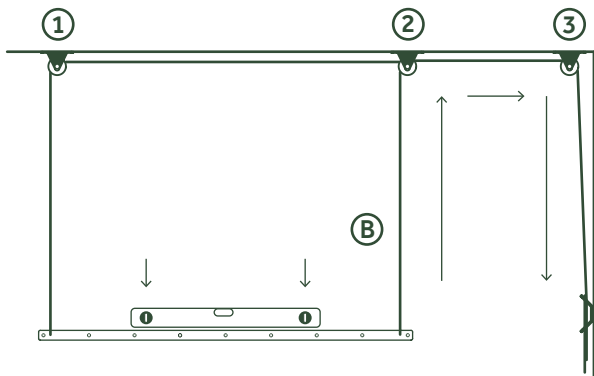
Install the Rope Cleat vertically below pulley ③ on the wall. Please ensure the screws find a stud. All three pulleys and the rope cleat must be aligned.

8

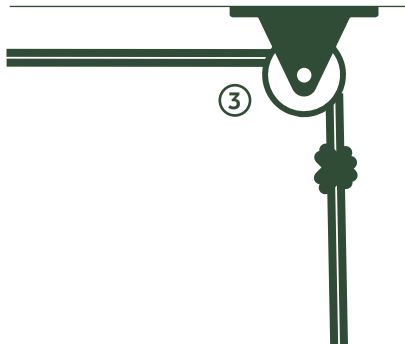


Thread Rope **(A)** through Pulley **(1)**. Continue across to pulley **(2)** and then through pulley **(3)**.

9



Thread Rope **(B)** through Pulley **(2)**. Continue across and through pulley **(3)**. Pull both ends of rope **((A)+(B))** until the Hanging Drying Rack is raised off the ground. Adjust each end accordingly until the rack becomes level in the air - A builders level should be used for complete accuracy.



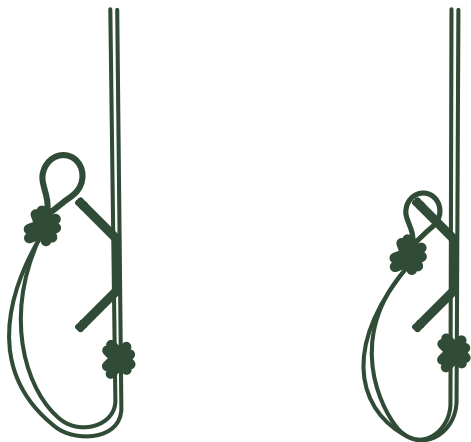
Raise the Hanging Drying Rack to the desired height attended for use (chest height recommended). Tie a knot in the two ropes just behind pulley ③. This stops the rack from lowering any further. Tie off rope around the cleat. Cut any excess rope off and melt the ends for a clean and tidy finish.

11



We recommend tying two separate knot positions to sit under the cleat. Trim any excess rope off.

12



To keep excess rope out of reach, loop the rope up over the cleat.

Warning:

Please note that when the Hanging Drying Rack is in its up right position, take extra care when lowering as the weight of the rack will increase when fully loaded with garments when off the cleat.

The minimum height of the cleat needs to be installed at 170cm/67.0” from the ground. Allow for the droop of the loop to sit over the cleat once it is pulled to its correct position. When the rack is in its highest position no rope should hang lower than 140cm/55”.

We recommend increasing the cleat height if it is still in reach of young children.

DISCLAIMER

The George & Willy Hanging Drying Rack comes with Lifetime Warranty on parts. In association with the product, George & Willy makes no warranties of any kind, either express or implied, including but not limited to warranties of merchantability, fitness for a particular purpose, of title, or of non-infringement of third party rights.

George & Willy Ltd holds no liability for any harm or damage that is caused by incorrect installation or use of a Hanging Drying Rack. The Hanging Drying Rack must be installed by a certified professional who will be able to advise the correct type of fixing for the ceiling that it will be installed into. Please be sure to install the wall cleat in a position where the rope is not accessible to small children.

CONTACT US



[@georgeandwilly](https://www.instagram.com/georgeandwilly)



www.pinterest.com/georgeandwilly/



sales@georgeandwilly.com



www.georgeandwilly.com

THANK YOU

Don't forget to tag us on Instagram @georgeandwilly

For 10% off your next purchase, use the discount code:

WITHTHANKS