

## ANCHOR POINT FOR WORK AT HEIGHT AND IN SUSPENSION

### ROBUST

Extremely robust and reliable.

### VERSATILE

Can be used both for suspended work (1 person) and for protection against falls from height (3 people).

### MULTIPURPOSE

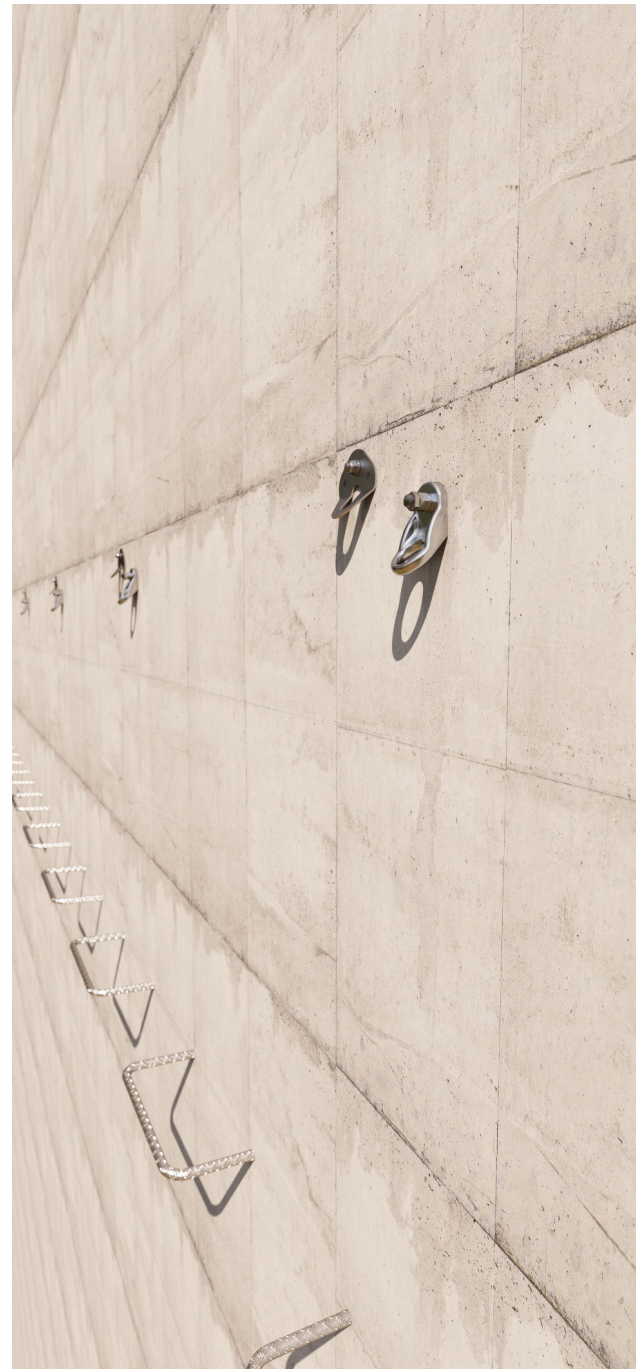
With three different versions, of two materials and in three different colours, you will always find the right product for every application and environmental condition.



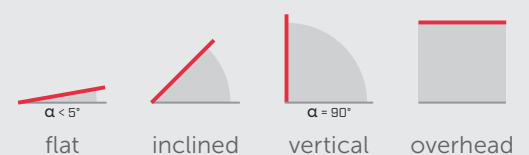
## CODES AND DIMENSIONS

CODE	description	pcs
WING	S355J2 - zinc plated Fe/Zn 12 $\mu$ + powder coated (RAL7032-grey)	1
WINGY	S355J2 - zinc plated Fe/Zn 12 $\mu$ + powder coated (RAL1016-yellow)	1
WINGA4	1.4404-A4-AISI316 pickled	1

The colour of the powder paint can be changed on request.



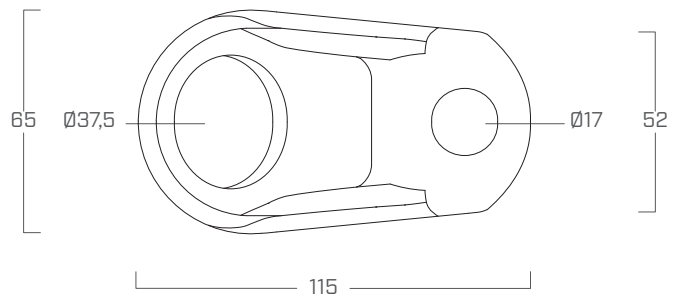
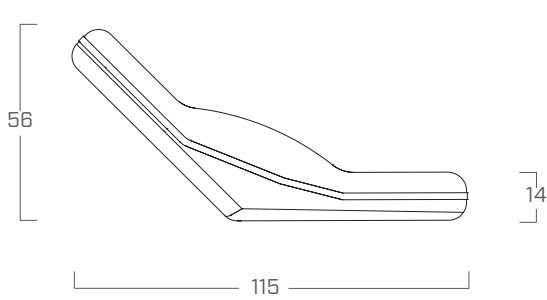
### SURFACE INCLINATION



### FIELD OF USE

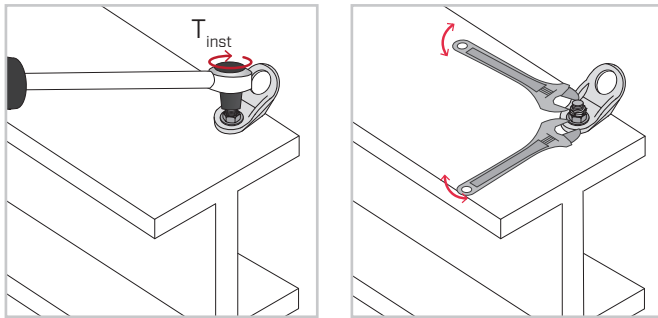
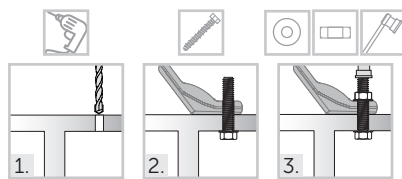
Timber, concrete and steel structures as described in the installation manual.

## GEOMETRY

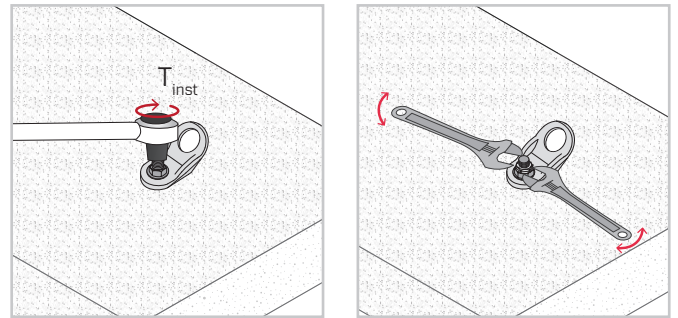
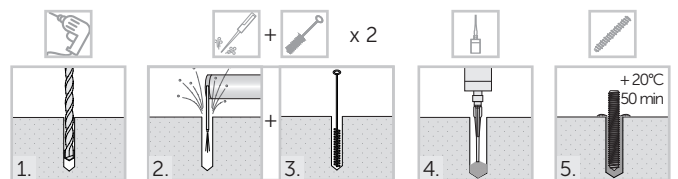


## APPLICATION INSTRUCTIONS

### STEEL SUBSTRUCTURE



### CONCRETE SUBSTRUCTURE



For installation on timber or concrete substructure with different fasteners see the related manual.

## RELATED PRODUCTS

TYP	description	d <sub>1</sub> [mm]
AB1	heavy anchor	16
AB1A4	stainless steel heavy anchor	16
SKRCE	CE screw anchor	16
VGS	screw for timber	11
VIN-FIX PRO	vinylester chemical anchor	-
XEPOX	epoxy resin	-

## TECHNICAL SPECIFICATIONS

### LABORATORY STRENGTHS

Data	standard	value
Q <sub>s</sub>	EN 795:2012 CEN/TS 16415:2013	14 kN
Q <sub>d1</sub>	EN 795:2012 CEN/TS 16415:2013	12 kN

