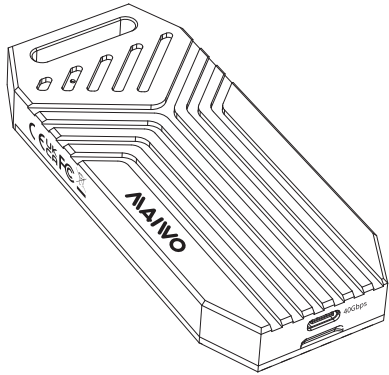
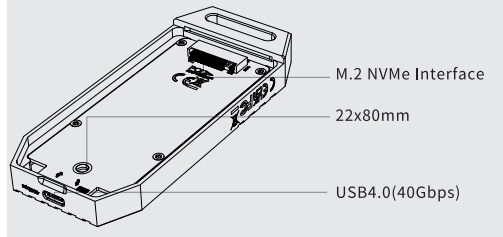




User Manuals



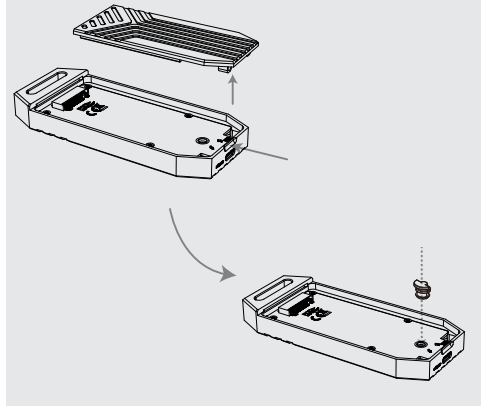
K1695 USB 4.0 Type C 40Gbps to M.2 NVMe SSD Enclosure



Product Name	MAIWO USB 4.0 Type C 40Gbps to M.2 NVMe SSD Enclosure
Model	K1695
Disk position	Single Slot
Internal interface	Support M Key & B+M Key 2280 M.2 NVMe SSD
Data transfer interface	Type-C
Material	Aluminum alloy
Features	Data transfer
OS	Windows/Mac OS/Linux
Indicator light	When the power is on, the blue light constantly stays lit. The light flashes when the hard drive is reading or writing data.

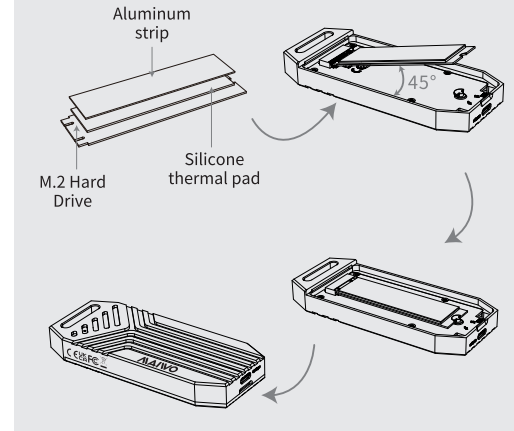
1. Installing the hard drive:

- 1.1. Press and push in the direction indicated by the arrow on the hard disk enclosure to slide the drive tray out of the PCBA board.
- 1.2. Then insert the silicone plug into the corresponding hole.



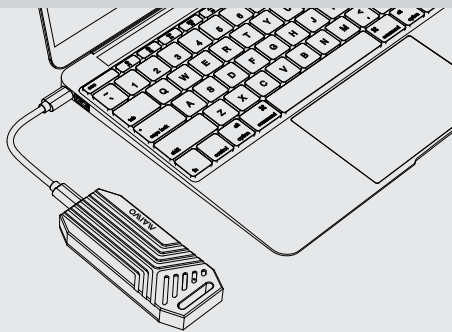
1. Installing the hard drive:

- 1.3. Attach the silicone thermal pad to the SSD and then attach the aluminum strip to the silicone pad.
- 1.4. Insert the NGFF (M.2) SSD or M.2 NVMe protocol SSD at a 45° angle into the NGFF (M.2) connector on the PCBA board.
- 1.5. Adjust the silicon plug to secure the SSD. Install the aluminum case and the disk tray of the PCBA board.



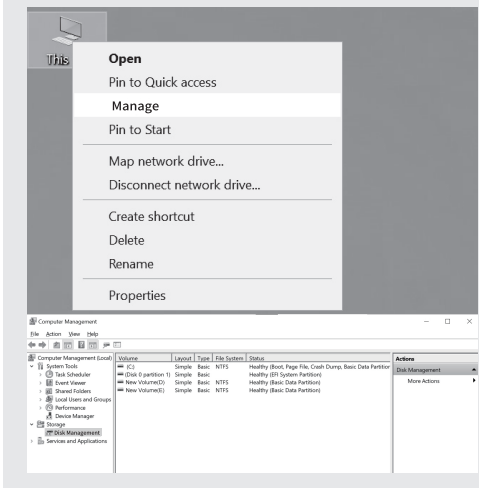
2. Connect it to PC:

- 2.1. After installing the hard drive, put the PCBA board back into the hard drive enclosure. Then connect it to the OC with a type-C data cable.



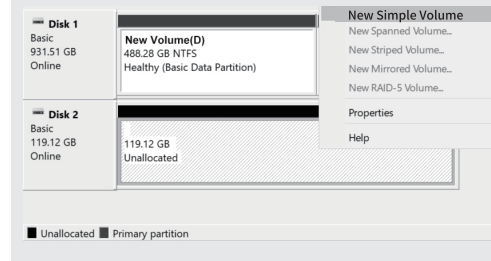
3. New hard disk format:

- 3.1. View "Computer-Management-Disk Management" to find the new disk.



3. New hard disk format:

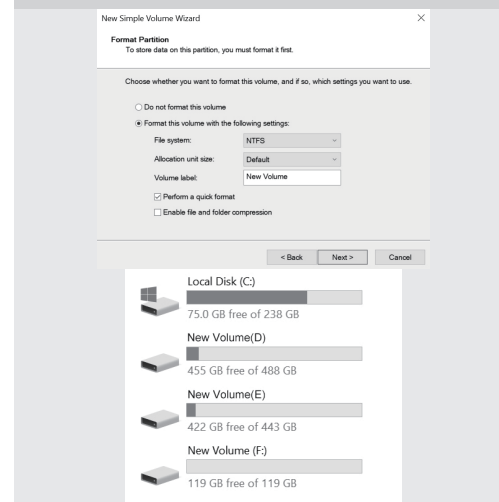
- 3.2. Right click the "Disk 1", then click "New Simple Volume".



Note: There are two formats when initialization, please choose MBR if your drive are smaller than 2TB, choose GPT if your drives are larger than 2TB.

4. Hard disk partition:

- 4.1. According to the instruction, choose the size of partition, then click "Next" to finish.
- 4.2. Then you can find the new hard disk in the "Computer, it's ready to be use."



Note: If you install a hard drive already has data on it, it will appear under "computer" as a newly added hard drive and can read and write normally. If you install a brand new hard drive, you need to initialize, partition and format the hard drive before use.