

LCD/LED Plasma Wall Mount Installation Instructions

PARTS LIST



TOOLS NEEDED

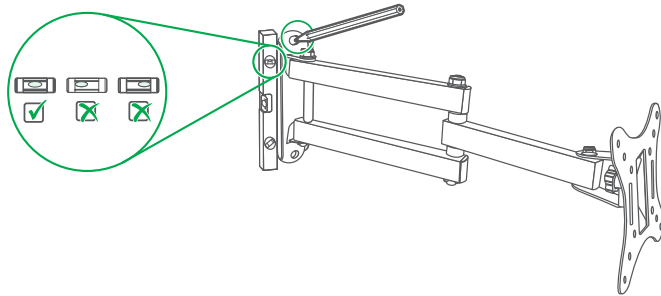


HARDWARE

| A | B | C | D | E |
|--------------------------------|------------------------------------|----------------------|----------------------|----------------------|
| | | | | |
| Lag Bolt M6X50mm(x2) | Concrete Anchor φ10xφ6x50mm(x2) | M4 Bolt M4x16(x4) | M6 Bolt M6x16(x4) | M5 Bolt M5x10(x4) |
| F | G | H | | |
| | | | | |
| Metal Gasket φ16xφ6.5mm(x4) | Metal Gasket φ16xφ5.5mm(x4) | M5 Nylock Nut | Bubble Level | |

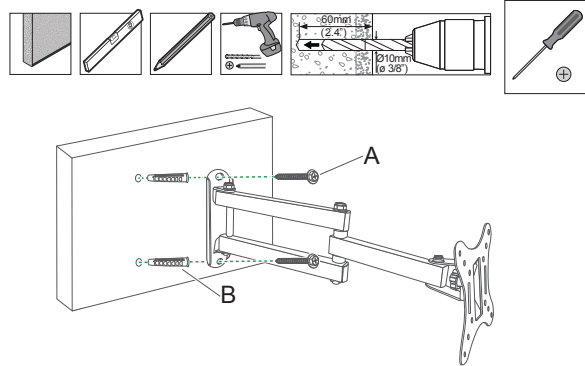
① Mounting the wall plate

Use a leveler and the holder as a template for drilling marks on the surface where you want to install the wall mount.

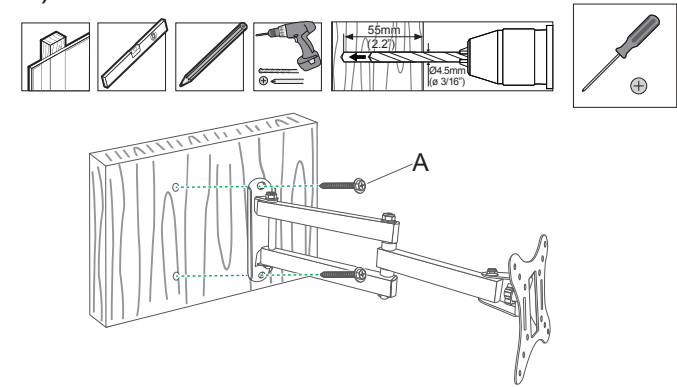


⚠ When drilling, be careful that there are no hidden pipes with electrical wiring, gas or water.

a) On concrete

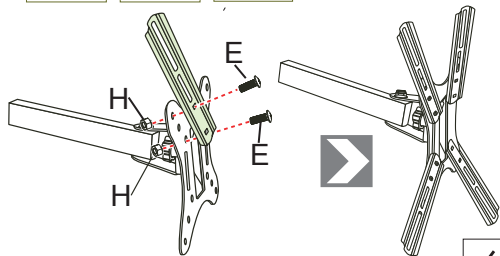


b) On wood

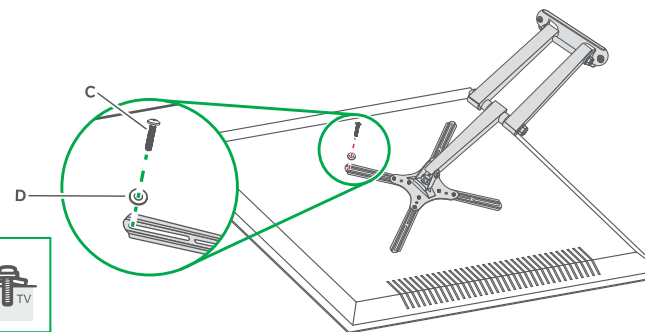


② Mounting the TV bracket to a television with a flat back

1> Place the fastening bars on the back of the screen and choose 4 screws and washers to fix them



2> Install the screen on the stand



3> Adjust

