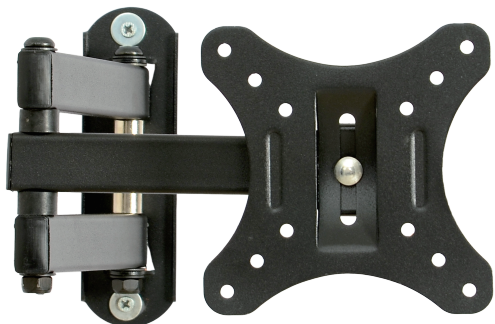


LCD/LED Plasma Wall Mount Installation Instructions

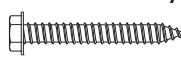
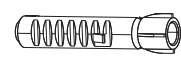
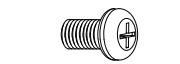
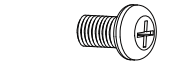

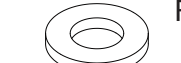

PARTS LIST



TOOLS NEEDED

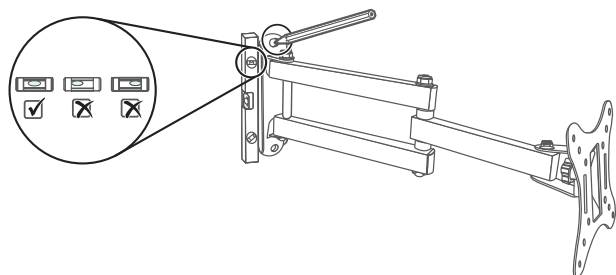


HARDWARE

<p>A</p>  <p>Lag Bolt M6X50mm(x2)</p>	<p>B</p>  <p>Concrete Anchor φ10xφ6x50mm(x2)</p>	<p>C</p>  <p>M4 Bolt M4x16(x4)</p>	<p>D</p>  <p>M6 Bolt M6x16(x4)</p>	 <p>Bubble Level</p>
<p>F</p>  <p>Metal Gasket φ16xφ6.5mm(x4)</p>	<p>G</p>  <p>Metal Gasket φ16xφ5.5mm(x4)</p>			

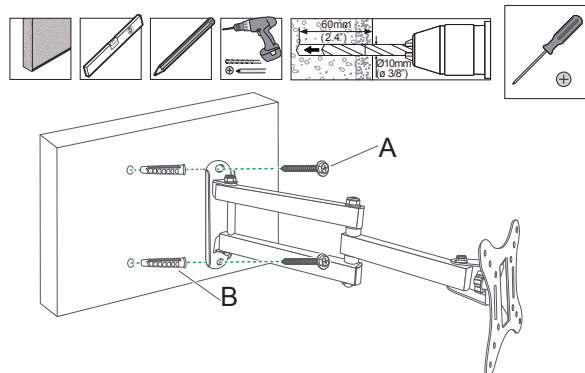
① Mounting the wall plate

Use a leveler and the holder as a template for drilling marks on the surface where you want to install the wall mount.

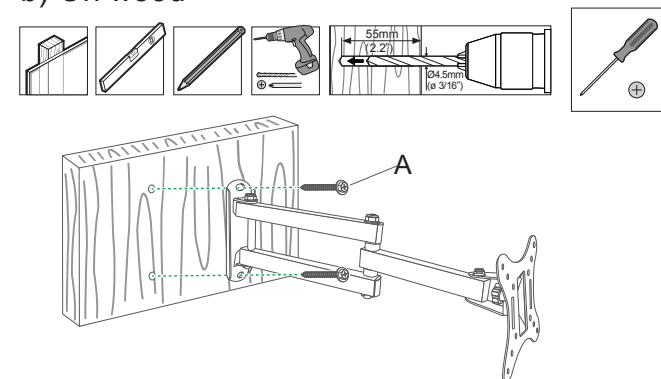


⚠ When drilling, be careful that there are no hidden pipes with electrical wiring, gas or water.

a) On concrete

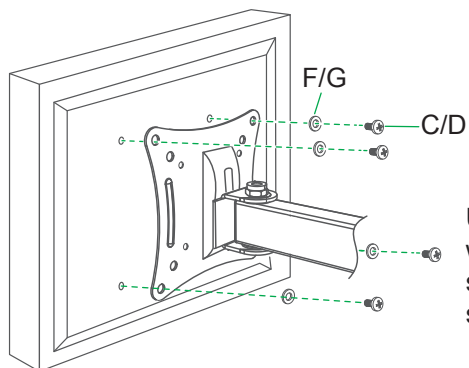
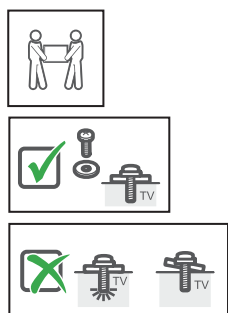


b) On wood



② Mounting the TV bracket to a television with a flat back

1> TV SCREEN INSTALLATION



Use 4 screw C/D and the 4 washers F/G to fix the tv stand on the back of the screen

Do not install screens larger than 32" or weight more than 10kg

2> AJUSTMENTS

1. Loosen the lock of the knob
2. Tilt the screen to obtain the desired view angle
3. Tighten the lock of knob again until the TV stand is fixed.

